

Expansion for DC1 variable frequency drives (110 V IN)



Part no. DXC-EXT-IO110
Catalog No. 169032
Alternate Catalog No. DXC-EXT-IO110
EL-Nummer (Norway) 4137436

Delivery program

| | | |
|--------------|--|--|
| Subrange | | Coupling module |
| Description | | 115-V-AC input (electrically isolated) for 4 digital inputs For connecting to the control signal terminals on the DC1 |
| For use with | | DC1 |

Design verification as per IEC/EN 61439

| | | |
|--|----|--|
| Technical data for design verification | | |
| Operating ambient temperature min. | °C | -10 |
| Operating ambient temperature max. | °C | 50 |
| IEC/EN 61439 design verification | | |
| 10.2 Strength of materials and parts | | |
| 10.2.2 Corrosion resistance | | Meets the product standard's requirements. |
| 10.2.3.1 Verification of thermal stability of enclosures | | Meets the product standard's requirements. |
| 10.2.3.2 Verification of resistance of insulating materials to normal heat | | Meets the product standard's requirements. |
| 10.2.3.3 Verification of resistance of insulating materials to abnormal heat and fire due to internal electric effects | | Meets the product standard's requirements. |
| 10.2.4 Resistance to ultra-violet (UV) radiation | | Meets the product standard's requirements. |
| 10.2.5 Lifting | | Does not apply, since the entire switchgear needs to be evaluated. |
| 10.2.6 Mechanical impact | | Does not apply, since the entire switchgear needs to be evaluated. |
| 10.2.7 Inscriptions | | Meets the product standard's requirements. |
| 10.3 Degree of protection of ASSEMBLIES | | Does not apply, since the entire switchgear needs to be evaluated. |
| 10.4 Clearances and creepage distances | | Meets the product standard's requirements. |
| 10.5 Protection against electric shock | | Does not apply, since the entire switchgear needs to be evaluated. |
| 10.6 Incorporation of switching devices and components | | Does not apply, since the entire switchgear needs to be evaluated. |
| 10.7 Internal electrical circuits and connections | | Is the panel builder's responsibility. |
| 10.8 Connections for external conductors | | Is the panel builder's responsibility. |
| 10.9 Insulation properties | | |
| 10.9.2 Power-frequency electric strength | | Is the panel builder's responsibility. |
| 10.9.3 Impulse withstand voltage | | Is the panel builder's responsibility. |
| 10.9.4 Testing of enclosures made of insulating material | | Is the panel builder's responsibility. |
| 10.10 Temperature rise | | The panel builder is responsible for the temperature rise calculation. Eaton will provide heat dissipation data for the devices. |
| 10.11 Short-circuit rating | | Is the panel builder's responsibility. The specifications for the switchgear must be observed. |
| 10.12 Electromagnetic compatibility | | Is the panel builder's responsibility. The specifications for the switchgear must be observed. |
| 10.13 Mechanical function | | The device meets the requirements, provided the information in the instruction leaflet (IL) is observed. |

Technical data ETIM 7.0

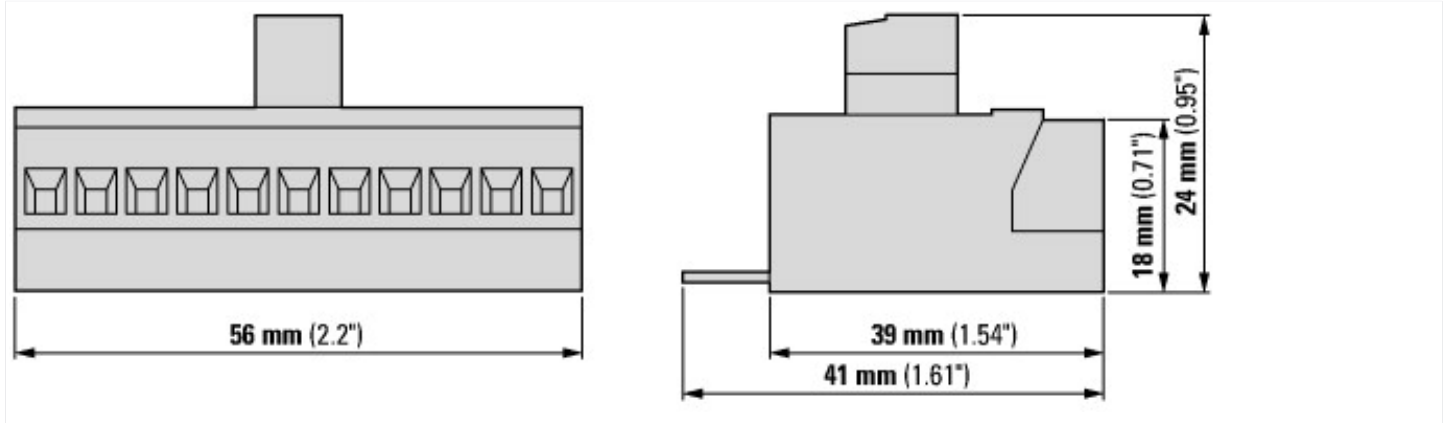
| | | |
|---|--|-------|
| Low-voltage industrial components (EG000017) / Accessories for frequency controller (EC002025) | | |
| Electric engineering, automation, process control engineering / Electrical drive / Static frequency converter / Static frequency converter (accessory) (ecl@ss10.0.1-27-02-31-92 [AFR303003]) | | |
| Type of accessory | | Other |

Approvals

| | | |
|-------------------|--|---|
| Product Standards | | UL 508C; CSA-C22.2 No. 14; IEC/EN61800-3; IEC/EN61800-5; CE marking |
| UL File No. | | E172143 |

| | | |
|--------------------------------------|--|--|
| UL Category Control No. | | NMMS, NMMS7 |
| CSA File No. | | UL report applies to both US and Canada |
| North America Certification | | UL listed, certified by UL for use in Canada |
| Specially designed for North America | | No |
| Suitable for | | Branch circuits |
| Max. Voltage Rating | | 120 V AC |
| Degree of Protection | | IEC: IP00 |

Dimensions



Assets (links)

Declaration of CE Conformity

00003135

Instruction Leaflets

IL04012016Z2018_05

Manuals

MN04020003Z_EN (English)

Additional product information (links)

IL04012016Z Expansion module for DC1: 110/220 V Coupling module

IL04012016Z Expansion module for DC1: 110/220 V Coupling module ftp://ftp.moeller.net/DOCUMENTATION/AWA_INSTRUCTIONS/IL04012016Z2018_05.pdf

MN04020003Z DC1 variable frequency drives, Installation manual

MN04020003Z Frequenzumrichter DC1, Installationshandbuch - Deutsch ftp://ftp.moeller.net/DOCUMENTATION/AWB_MANUALS/MN04020003Z_DE.pdf

MN04020003Z DC1 variable frequency drives, Installation manual - English ftp://ftp.moeller.net/DOCUMENTATION/AWB_MANUALS/MN04020003Z_EN.pdf

MN04020003Z Frekvenční měnič DC1, manuál Instalace - čeština ftp://ftp.moeller.net/DOCUMENTATION/AWB_MANUALS/MN04020003Z_CZ.pdf

MN04020003Z Convertitore di frequenza DC1, manuale Installazione - italiano ftp://ftp.moeller.net/DOCUMENTATION/AWB_MANUALS/MN04020003Z_IT.pdf

CA04020001Z-EN Product Range Catalog: Efficient Engineering for Starting and Controlling Motors http://www.eaton.eu/DE/ecm/groups/public/@pub/@europe/@electrical/documents/content/pct_1095238.pdf