



Optical sensors, Reflected-light beam, Color sensing, 3 NO NPN outputs, RS485-connection possible - Engineering, 8 conductor, 10 - 30 V DC, S_n = 450 mm, Plug-in connection M12 x 1



Part no. E76-CLRMKRS-M12
 Catalog No. 166928
 Alternate Catalog No. E76-CLRMKRS-M12

Delivery program

Basic function			Optical sensors
Product range			E76 IntelliView Series
For connection of:			Plug-in connection M12 x 1
Design (outer dimensions)		mm	Rectangular (50 x 50 x 25)
Rated operational voltage	U _e		10 - 30 V DC
Rated switching distance	S _n	mm	450
Description			Color sensing 3 NO NPN outputs RS485-connection possible → Engineering
Connection			8 conductor
Function			Reflected-light beam
Type of light			Infra-red
Switching type			NPN
Information relevant for export to North America			
Product Standards UL 508; CSA-C22.2 No. 14; IEC60947-5-2; CE marking			
UL File No. E166051			
UL Category Control No. NRKH, NRKH7			
CSA File No. UL report applies to both Canada and US			
North America Certification UL listed, certified by UL for use in Canada			
Max. Voltage Rating 30 V DC			
Degree of Protection IEC: IP67; UL/CSA Type: -			

Technical data

General

Standards			IEC/EN 60947-5-2
Ambient temperature			-10 - +55
Operation	θ	°C	-10 - +55
Storage	θ	°C	-20 - +70
Mechanical shock resistance		g	30 Shock duration 11 ms
Degree of Protection			IP67
Vibration			Amplitude 0.5 mm: 10 - 55 Hz. IEC/EN 60068-2-6

Characteristics

Rated switching distance			
Rated switching distance	S _n	mm	450
Rated operational voltage	U _e		10 - 30 V DC
Switching Frequency		Hz	770
Response time		ms	0.65
Switching state display		LED	Yellow
Protective functions			Short-circuit protective device
Connection			8 conductor
Style			
Design (outer dimensions)		mm	Rectangular (50 x 50 x 25)
For connection of:			Plug-in connection M12 x 1

Design verification as per IEC/EN 61439

Technical data for design verification			
Operating ambient temperature min.		°C	-10
Operating ambient temperature max.		°C	55

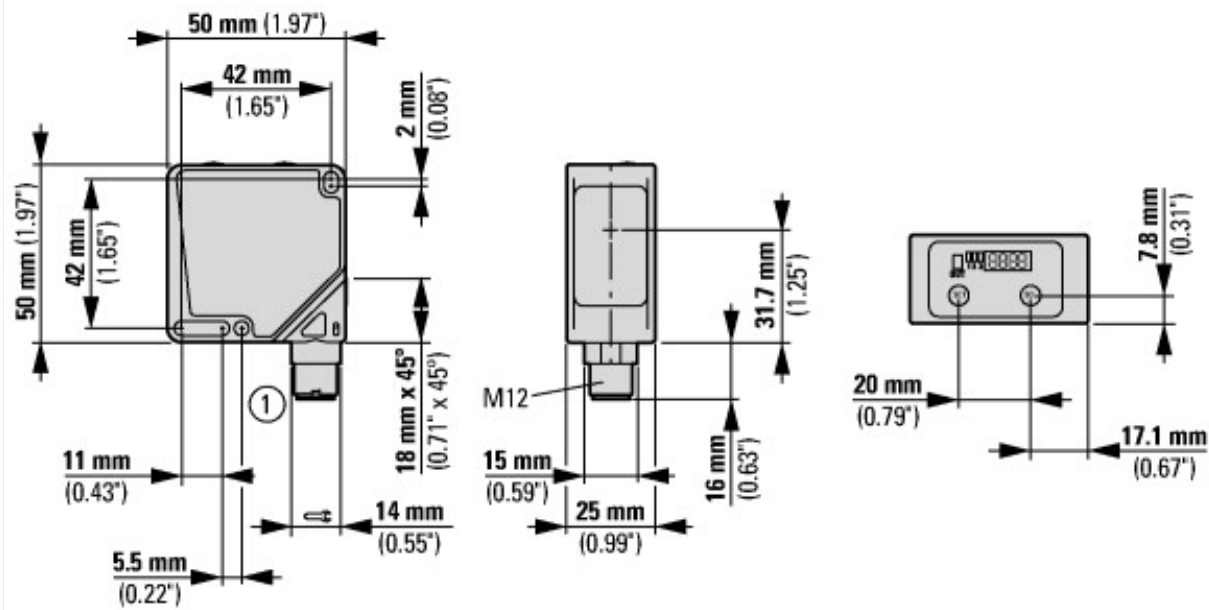
Technical data ETIM 7.0

Sensors (EG000026) / Luminescence sensor (EC001822)			
Electric engineering, automation, process control engineering / Binary sensor technology, safety-related sensor technology / Optoelectronic sensor / Luminescence scanner (ecl@ss10.0.1-27-27-09-08 [AKP257015])			
Lamp type			Other
Analogue output 0 V ... 10 V			No
Analogue output 0 mA ... 20 mA			No
Analogue output 4 mA ... 20 mA			No
Analogue output -10 V ... +10 V			No
Type of electric connection			Connector M12
Number of semiconductor outputs with signalling function			3
Number of contact energized outputs with signalling function			0
Type of switching output			NPN
Type of switch function			Normally open contact (NO)
With blanking function			No
Operation agent-safety class			Safety class 2
Width sensor		mm	25
Height of sensor		mm	50
Length of sensor		mm	50
Diameter sensor		mm	0
Setting procedure			Other
Type of frequency band of the receiving spectrum			Other
Construction type housing			Cuboid
Laser protection class			Other
No load current		mA	0
Type of light			White light
Light dot		mm ²	0
With fibre optics connection			No
Max. output current		mA	100
Nominal operating distance		mm	45
Switching frequency		Hz	770
Degree of protection (IP)			IP67
Degree of protection (NEMA)			4X
Voltage type			DC
Ambient temperature		°C	10 - 55
With exchange lens			No
Material of optical surface			Glass
Material housing			Plastic
Material of cable sheath			Other
Material fibre optics core			Other
With time function			No
AWG-number			0

Approvals

Product Standards			UL 508; CSA-C22.2 No. 14; IEC60947-5-2; CE marking
UL File No.			E166051
UL Category Control No.			NRKH, NRKH7
CSA File No.			UL report applies to both Canada and US
North America Certification			UL listed, certified by UL for use in Canada
Max. Voltage Rating			30 V DC

Dimensions



① Connector can rotate 90 or 180 degrees to accept different sensor mounting orientations.

Additional product information (links)

IL05305009Z IntelliView Color measuring Optical Sensors

IL05305009Z IntelliView Color measuring Optical Sensors

https://es-assets.eaton.com/DOCUMENTATION/AWA_INSTRUCTIONS/IL05305009Z2018_05.pdf