



Proximity switch, E57 Global Series, 1 N/O, 2-wire, 10 - 30 V DC, M30 x 1.5 mm, S_n= 15 mm, Non-flush, NPN/PNP, Metal, 2 m connection cable



Powering Business Worldwide™

Part no. E57-30GU15-D
Catalog No. 135983
Alternate Catalog No. E57-30GU15-D
No.

Delivery program

Basic function			Inductive Sensors
Product range			E57 Global Series
Connection			2-wire
Design (outer dimensions)		mm	M30 x 1.5
Rated operational voltage	U _e		10 - 30 V DC
Rated switching distance	S _n	mm	15
Type of mounting			Non-flush
Switching type			NPN/PNP
For connection of:			2 m connection cable
Contacts			
N/O = Normally open			1 N/O
Material			Metal
Degree of Protection			IP67, IP69

Technical data

General

Standards			IEC/EN 60947-5-2
Ambient temperature			-25 - +70
Mechanical shock resistance		g	30 Shock duration 11 ms
Degree of Protection			IP67, IP69

Characteristics

Rated switching distance			
Rated switching distance	S _n	mm	15
Repetition accuracy of S _n		%	2
Temperature drift of S _n		%	10
Switching hysteresis of S _n		%	15
Rated operational voltage	U _e		10 - 30 V DC
Residual ripple of U _e		%	10
Maximum load current	I _e	mA	< 100
Operating current in the switched state at 24 V DC	I _b	mA	20
Voltage drop at I _e	U _d	V	6
Switching Frequency		Hz	200
Min. load current	I _e	mA	3
Residual current through the load in the blocked state at 230 V AC and 24 V DC	I _r	mA	0.8
Switching state display		LED	Red
Connection			2-wire
Contacts			
N/O = Normally open			1 N/O
Style			
Design (outer dimensions)		mm	M30 x 1.5
For connection of:			2 m connection cable
Material			Metal

Design verification as per IEC/EN 61439

Technical data for design verification			
Operating ambient temperature min.		°C	-25
Operating ambient temperature max.		°C	70

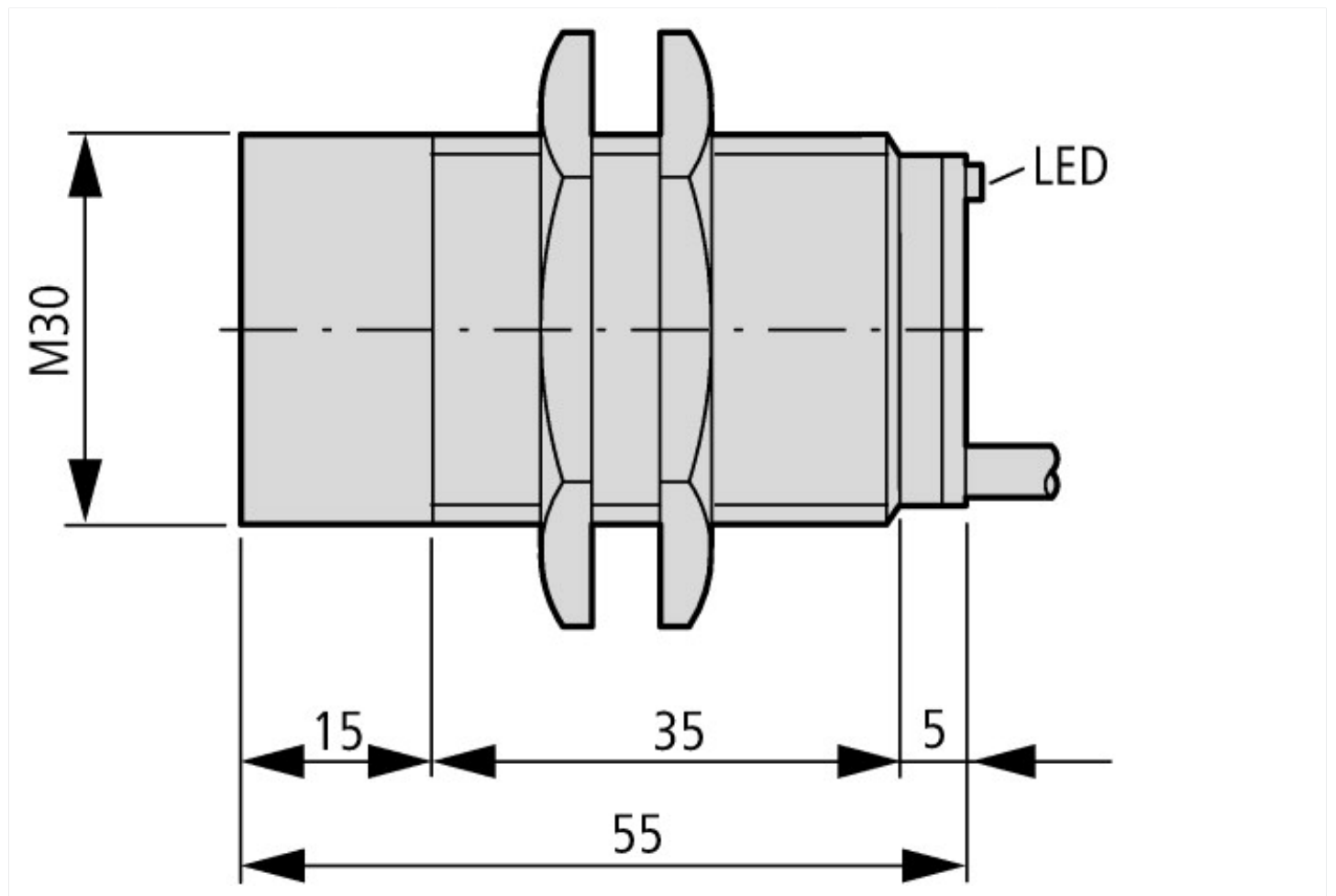
Technical data ETIM 7.0

Sensors (EG000026) / Inductive proximity switch (EC002714)			
Electric engineering, automation, process control engineering / Binary sensor technology, safety-related sensor technology / Proximity switch / Inductive proximity switch (ecl@ss10.0.1-27-27-01-01 [AGZ376015])			
Width sensor		mm	0
Height of sensor		mm	0
Length of sensor		mm	55
Diameter sensor		mm	30
Mechanical mounting condition for sensor			Not flat
Switching distance		mm	15
Suitable for safety functions			No
Type of switch function			Normally open contact
Type of switching output			Two-wire
Type of electric connection			Cable
Number of semiconductor outputs with signalling function			1
Number of contact energized outputs with signalling function			0
Number of protected semiconductor outputs			0
Number of protected contact energized outputs			0
Type of actuation			Metallic Target
Type of interface			None
Type of interface for safety communication			None
Construction type housing			Cylinder, screw-thread
Coating housing			Other
Cascadable			No
Category according to EN 954-1			B
SIL according to IEC 61508			None
Performance level acc. EN ISO 13849-1			None
Max. output current at protected output		mA	0
Supply voltage		V	10 - 30
Rated control supply voltage Us at AC 50HZ		V	0 - 0
Rated control supply voltage Us at AC 60HZ		V	0 - 0
Rated control supply voltage Us at DC		V	10 - 30
Voltage type			DC
Switching frequency		Hz	200
With monitoring function downstream switching devices			No
Material housing			Metal
Compression-resistant			No
Explosion safety category for gas			None
Explosion safety category for dust			None
Interference resistance to magnetic fields			

Approvals

Product Standards			UL 508; CSA-C22.2 No. 14; IEC60947-5-2; CE marking
UL File No.			CSA report applies to both Canada and US
UL Category Control No.			-
CSA File No.			224447
CSA Class No.			4652-04 / 4652-84
North America Certification			CSA certified, certified by CSA for use in the US
Max. Voltage Rating			30 V DC
Degree of Protection			IEC: IP67, IP69K; UL/CSA Type: -

Dimensions



Assets (links)

Declaration of CE Conformity

00003158

Instruction Leaflets

IL05301002Z2018_05

Additional product information (links)

IL05301002Z Global Series Inductive Sensors

IL05301002Z Global Series Inductive Sensors ftp://ftp.moeller.net/DOCUMENTATION/AWA_INSTRUCTIONS/IL05301002Z2018_05.pdf