



Proximity switch, capacitive, $S_n=15\text{mm}$, 1 N/C, 3L, PNP, M18, insulated material, M12

Part no. E53KBL18T111ED
 Catalog No. 134801
 Alternate Catalog No. E53KBL18T111ED
 EL-Nummer (Norway) 0004315328

Delivery program

Basic function			Capacitive sensors
Product range			E53 Capacitive Series
Connection			3-wire
Design (outer dimensions)		mm	M18 x 1
Rated operational voltage	U_e		10 - 30 V DC
Rated switching distance	S_n	mm	15
Type of mounting			Non-flush
Switching type			PNP
For connection of:			Plug-in connection M12 x 1
Contacts			
N/C = Normally closed			1 NC
Material			Insulated material
Degree of Protection			IP65

Technical data

General

Standards			IEC/EN 60947-5-2-EMC
Ambient temperature			-25 - +70
Mechanical shock resistance		g	30 Shock duration 11 ms
Degree of Protection			IP65

Characteristics

Rated switching distance			
Rated switching distance	S_n	mm	15
Repetition accuracy of S_n		%	10
Temperature drift of S_n		%	10
Switching hysteresis of S_n		%	20
Rated operational voltage	U_e		10 - 30 V DC
Residual ripple of U_e		%	10
Maximum load current	I_e	mA	< 300
Switching Frequency		Hz	250
Switching state display		LED	Red
Connection			3-wire
Contacts			
N/C = Normally closed			1 NC
Style			
Design (outer dimensions)		mm	M18 x 1
For connection of:			Plug-in connection M12 x 1
Material			Insulated material

Design verification as per IEC/EN 61439

Technical data for design verification			
Operating ambient temperature min.		°C	-25
Operating ambient temperature max.		°C	70

Technical data ETIM 7.0

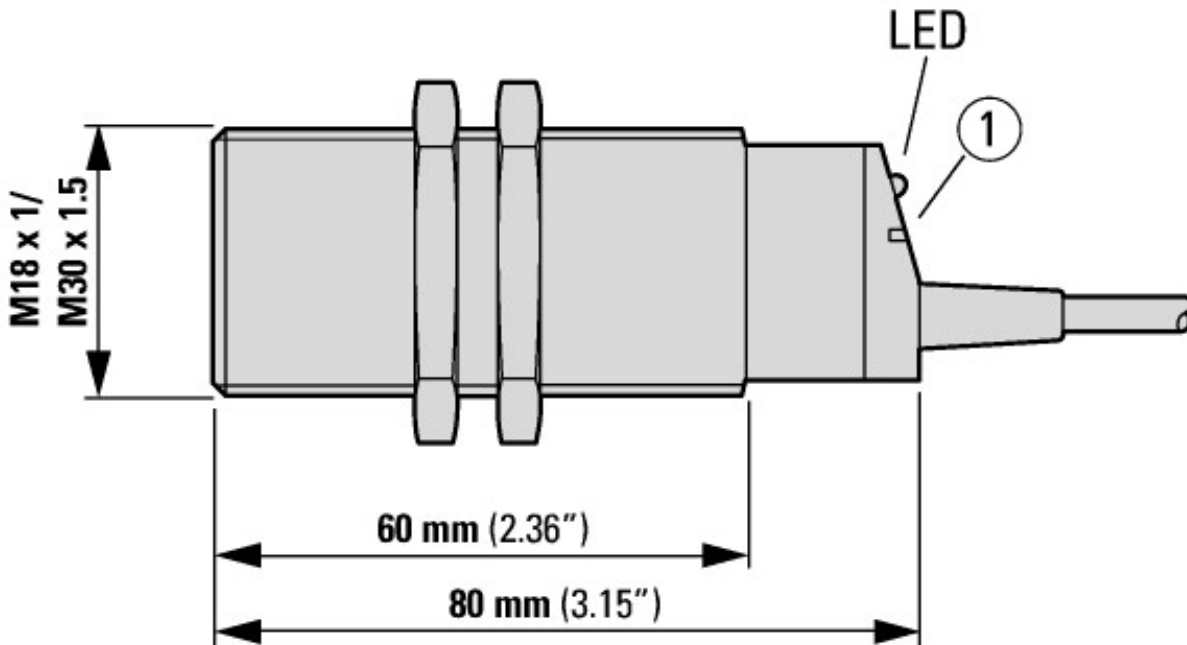
Sensors (EG000026) / Capacitive proximity switch (EC002715)		
Electric engineering, automation, process control engineering / Binary sensor technology, safety-related sensor technology / Proximity switch / Capacitive proximity switch (ecl@ss10.0.1-27-27-01-02 [AGZ377015])		
Width sensor	mm	0
Height of sensor	mm	0
Length of sensor	mm	80
Diameter sensor	mm	18
Mechanical mounting condition for sensor		Not flat
Switching distance	mm	15
Suitable for safety functions		No
Type of switch function		Breaker contact
Type of switching output		PNP
Type of electric connection		Connector M12
Number of semiconductor outputs with signalling function		1
Number of contact energized outputs with signalling function		0
Number of protected semiconductor outputs		0
Number of protected contact energized outputs		0
Type of actuation		Other
Type of interface		None
Type of interface for safety communication		None
Construction type housing		Cylinder, screw-thread
Coating housing		Other
Cascadable		No
Category according to EN 954-1		B
SIL according to IEC 61508		None
Performance level acc. EN ISO 13849-1		None
Max. output current at protected output	mA	0
Supply voltage	V	10 - 30
Rated control supply voltage Us at AC 50HZ	V	0 - 0
Rated control supply voltage Us at AC 60HZ	V	0 - 0
Rated control supply voltage Us at DC	V	10 - 30
Voltage type		DC
Switching frequency	Hz	250
With monitoring function downstream switching devices		No
With status indication		Yes
Material housing		Plastic
Compression-resistant		No
Explosion safety category for gas		None
Explosion safety category for dust		None

Approvals

Product Standards		CE marking
Max. Voltage Rating		250 V AC, 30 V DC
Degree of Protection		IEC: IP65; UL/CSA: NEMA 4, 12, 13



① Sensitivity setting



Assets (links)

Declaration of CE Conformity

00003141

Instruction Leaflets

IL05307002Z2018_05

Additional product information (links)

IL05307002Z E53 Series Capacitive Sensors

IL05307002Z E53 Series Capacitive Sensors	ftp://ftp.moeller.net/DOCUMENTATION/AWA_INSTRUCTIONS/IL05307002Z2018_05.pdf
---	---