



**Switch-disconnector, DC current, 20A, 2 strings MC4**

**Part no.** SOL20/2MC4  
**Catalog No.** 120915  
**Alternate Catalog No.** SOL20-2MC4  
**EL-Nummer (Norway)** 4300308

**Delivery program**

Product range			Switchgear for photovoltaic systems
Subrange			DC switch-disconnectors
Rated operational voltage	$U_e$	V	1000
Degree of Protection			IP65
Protection class			2
Number of conductors			2 pole
<b>Inputs</b>			
Inputs number of strings			2
Inputs connection type			MC4
<b>Outputs</b>			
Outputs number of strings			1
Outputs connection type			MC4
Rated operational current at DC-21A	$I_e$	A	20
Rated operational current at DC-PV1	$I_e$	A	20
Rated operational current at DC-PV2	$I_e$	A	10
Design			Enclosed

**Technical data**

Rated operational current $I_e$ at DC-21A	$I_e$	A	20
Rated operational current at DC-PV1	$I_e$	A	20
Rated operational current at DC-PV2	$I_e$	A	10
Number of poles			2 pole
Rated operational voltage	$U_e$	V	1000
Isolating characteristics			yes
Standards			IEC/EN 60947-3
Lifespan, mechanical	Operations		100000
Electrical		Operations	500
Max. operating frequency		Ops/h	120
Climatic proofing			Damp heat, constant, to IEC 60068-2-78 Damp heat, cyclic, to IEC 60068-2-30
Ambient temperature			-25 - +60
Mounting position			As required
Degree of Protection			IP65

**Dimensions**

Width		mm	100
Height		mm	215
Depth		mm	130
Weight		kg	0.42
Locking facility			in OFF-Position: yes
Rated short-time withstand current (t=1s)	$I_{cw}$	kA	0.36
up to 440 V 50/60 Hz	$I_{cm}$	kA	0.32
Internal resistance		mΩ	8

## Design verification as per IEC/EN 61439

Technical data for design verification			
Operating ambient temperature min.		°C	-25
Operating ambient temperature max.		°C	60

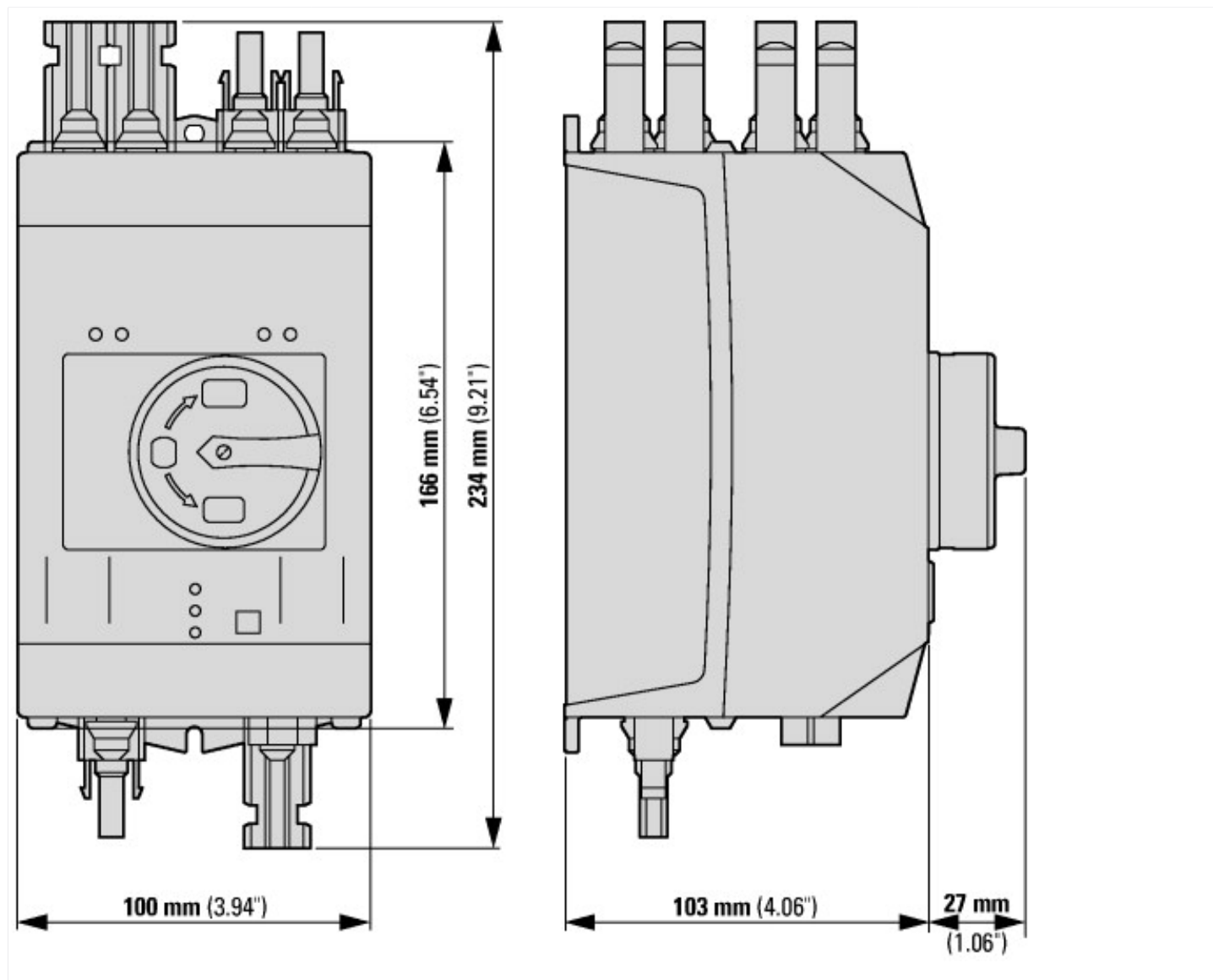
## Technical data ETIM 7.0

Low-voltage industrial components (EG000017) / Switch disconnecter (EC000216)			
Electric engineering, automation, process control engineering / Low-voltage switch technology / Off-load switch, circuit breaker, control switch / Switch disconnecter (ecI@ss10.0.1-27-37-14-03 [AKF060013])			
Version as main switch			No
Version as maintenance-/service switch			No
Version as safety switch			No
Version as emergency stop installation			No
Version as reversing switch			No
Number of switches			1
Max. rated operation voltage Ue AC		V	0
Rated operating voltage		V	1000 - 1000
Rated permanent current Iu		A	20
Rated permanent current at AC-23, 400 V		A	0
Rated permanent current at AC-21, 400 V		A	0
Rated operation power at AC-3, 400 V		kW	0
Rated short-time withstand current Icw		kA	0.24
Rated operation power at AC-23, 400 V		kW	0
Switching power at 400 V		kW	20
Conditioned rated short-circuit current Iq		kA	0
Number of poles			2
Number of auxiliary contacts as normally closed contact			0
Number of auxiliary contacts as normally open contact			0
Number of auxiliary contacts as change-over contact			0
Motor drive optional			No
Motor drive integrated			No
Voltage release optional			Yes
Device construction			Complete device in housing
Suitable for ground mounting			Yes
Suitable for front mounting 4-hole			No
Suitable for front mounting centre			No
Suitable for distribution board installation			No
Suitable for intermediate mounting			No
Colour control element			Black
Type of control element			Toggle
Interlockable			No
Type of electrical connection of main circuit			Other
Degree of protection (IP), front side			IP65
Degree of protection (NEMA)			Other

## Approvals

Specially designed for North America			No
--------------------------------------	--	--	----

## Dimensions



## Additional product information (links)

Motor starters and "Special Purpose Ratings" for the North American market

[http://www.eaton.eu/ecm/groups/public/@pub/@europe/@electrical/documents/content/pct\\_3258146.pdf](http://www.eaton.eu/ecm/groups/public/@pub/@europe/@electrical/documents/content/pct_3258146.pdf)

Busbar Component Adapters for modern Industrial control panels

[http://www.moeller.net/binary/ver\\_techpapers/ver960en.pdf](http://www.moeller.net/binary/ver_techpapers/ver960en.pdf)