



Function element, for combination with RMQ-Titan operating elements M22-..., 2 changeover contact, Front fixing, blue



Part no. M22-SWD-K22LED-B
 Catalog No. 115979
 Alternate Catalog No. M22-SWD-K22LED-BQ
 EL-Nummer (Norway) 4355015

Delivery program

Basic function accessories		Function elements
Function		for combination with RMQ-Titan operating elements M22-...
Contacts		2 changeover contact
Fixing		Front fixing
Contact sequence		
Contact travel diagram stroke in connection with front element		
Configuration		
Colour		
Connection to SmartWire-DT		yes

Technical data

General

Standards		IEC/EN 61131-2 EN 50178
Approvals		
shipping classification		DNV GL BV LRS
Dimensions (W x H x D)	mm	17 x 42 x 45
Weight	g	14
Mounting position		As required

Ambient conditions, mechanical

Protection type (IEC/EN 60529, EN50178, VBG 4)		IP20
Vibrations (IEC/EN 61131-2:2008)		
Constant amplitude 3,5 mm	Hz	5 - 8.4
Constant acceleration 1 g	Hz	8.4 - 150
Mechanical shock resistance (IEC/EN 60068-2-27) semi-sinusoidal 15 g/11 ms	Impacts	9
Drop to IEC/EN 60068-2-31	Drop height mm	50
Free fall, packaged (IEC/EN 60068-2-32)	m	0.3

Electromagnetic compatibility (EMC)

Overvoltage category		Not applicable
Pollution degree		2
Electrostatic discharge (IEC/EN 61131-2:2008)		

Air discharge (Level 3)		kV	8
Contact discharge (Level 2)		kV	4
Electromagnetic fields (IEC/EN 61131-2:2008)			
80 - 1000 MHz		V/m	10
1.4 - 2 GHz		V/m	3
2 - 2.7 GHz		V/m	1
Radio interference suppression (SmartWire-DT)			EN 55011 Class A
Burst (IEC/EN 61131-2:2008, Level 3)			
Supply cable		kV	2
SmartWire-DT cable		kV	1
Radiated RFI (IEC/EN 61131-2:2008, Level 3)		V	10

Climatic environmental conditions

Ambient temperature			
Operating ambient temperature (IEC 60068-2)		°C	-30 - +70
Storage		°C	-40 - +80
Relative humidity			
Condensation			Take appropriate measures to prevent condensation
Relative humidity, non-condensing (IEC/EN 60068-2-30)		%	5 - 95

SmartWire-DT network

Station type			SmartWire-DT slave
Address allocation			automatic
Status indication		LED	Green
Connections			Plug, 8-pole
Plug connector			SWD4-8SF2-5

Fieldbus interface

Baud rate setting			automatic
-------------------	--	--	-----------

Functions

Switching state display		LED	Yes
Diagnostics			Yes
Fixing			Front fixing

Design verification as per IEC/EN 61439

Technical data for design verification			
Rated operational current for specified heat dissipation	I_n	A	0
Heat dissipation per pole, current-dependent	P_{vid}	W	0
Equipment heat dissipation, current-dependent	P_{vid}	W	0
Static heat dissipation, non-current-dependent	P_{vs}	W	0.3
Heat dissipation capacity	P_{diss}	W	0
Operating ambient temperature min.		°C	-30
Operating ambient temperature max.		°C	70
IEC/EN 61439 design verification			
10.2 Strength of materials and parts			
10.2.2 Corrosion resistance			Meets the product standard's requirements.
10.2.3.1 Verification of thermal stability of enclosures			Meets the product standard's requirements.
10.2.3.2 Verification of resistance of insulating materials to normal heat			Meets the product standard's requirements.
10.2.3.3 Verification of resistance of insulating materials to abnormal heat and fire due to internal electric effects			Meets the product standard's requirements.
10.2.4 Resistance to ultra-violet (UV) radiation			Meets the product standard's requirements.
10.2.5 Lifting			Does not apply, since the entire switchgear needs to be evaluated.
10.2.6 Mechanical impact			Does not apply, since the entire switchgear needs to be evaluated.
10.2.7 Inscriptions			Meets the product standard's requirements.
10.3 Degree of protection of ASSEMBLIES			Does not apply, since the entire switchgear needs to be evaluated.
10.4 Clearances and creepage distances			Meets the product standard's requirements.
10.5 Protection against electric shock			Does not apply, since the entire switchgear needs to be evaluated.

10.6 Incorporation of switching devices and components		Does not apply, since the entire switchgear needs to be evaluated.
10.7 Internal electrical circuits and connections		Is the panel builder's responsibility.
10.8 Connections for external conductors		Is the panel builder's responsibility.
10.9 Insulation properties		
10.9.2 Power-frequency electric strength		Is the panel builder's responsibility.
10.9.3 Impulse withstand voltage		Is the panel builder's responsibility.
10.9.4 Testing of enclosures made of insulating material		Is the panel builder's responsibility.
10.10 Temperature rise		The panel builder is responsible for the temperature rise calculation. Eaton will provide heat dissipation data for the devices.
10.11 Short-circuit rating		Is the panel builder's responsibility. The specifications for the switchgear must be observed.
10.12 Electromagnetic compatibility		Is the panel builder's responsibility. The specifications for the switchgear must be observed.
10.13 Mechanical function		The device meets the requirements, provided the information in the instruction leaflet (IL) is observed.

Technical data ETIM 7.0

Low-voltage industrial components (EG000017) / Auxiliary contact block (EC000041)

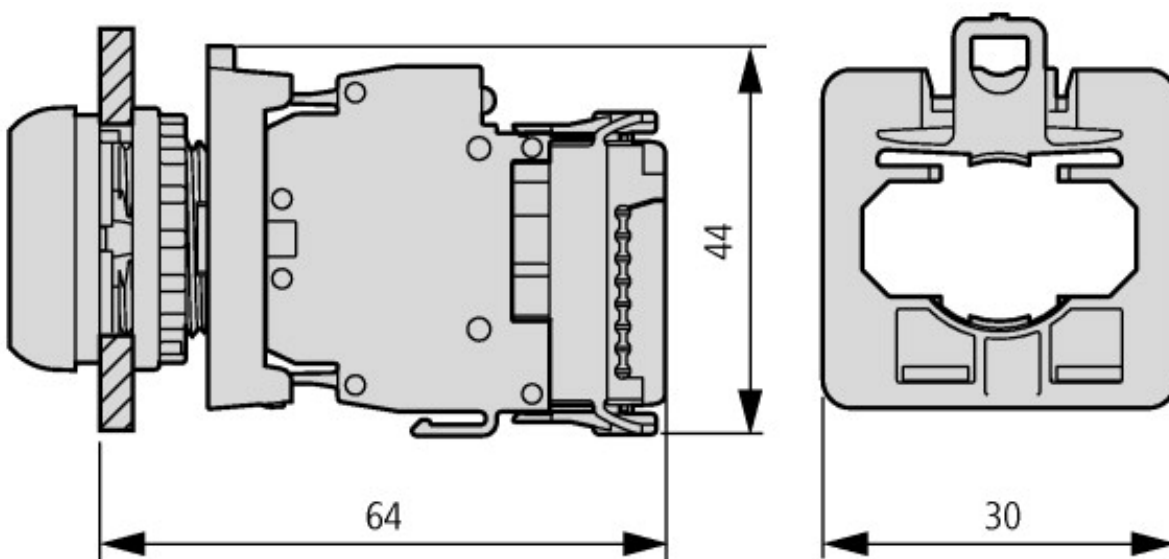
Electric engineering, automation, process control engineering / Low-voltage switch technology / Component for low-voltage switching technology / Auxiliary switch block
(ec1@ss10.0.1-27-37-13-02 [AKN342013])

Number of contacts as change-over contact		0
Number of contacts as normally open contact		2
Number of contacts as normally closed contact		2
Number of fault-signal switches		0
Rated operation current I _e at AC-15, 230 V	A	0
Type of electric connection		Flat plug-in connection
Model		Top mounting
Mounting method		Front fastening
Lamp holder		LED not exchangeable

Approvals

UL File No.		E29184
UL Category Control No.		NKCR
CSA File No.		2324643
CSA Class No.		3211-07
North America Certification		UL listed, CSA certified
Specially designed for North America		No

Dimensions



Pushbutton with function element

Assets (links)

Declaration of CE Conformity

00002530

Instruction Leaflets

IL04716004Z2018_06

Manuals

MN05006001Z_EN (English)

MN05006002Z_EN (English)

Additional product information (links)

IL04716004Z (AWA1160-2511) SmartWire-DT: RMQ-Titan

IL04716004Z (AWA1160-2511) SmartWire-DT: RMQ-Titan	ftp://ftp.moeller.net/DOCUMENTATION/AWA_INSTRUCTIONS/IL04716004Z2019_10.pdf
--	---

SmartWire-DT manual, SWD module IP20 MN05006001Z

Handbuch SmartWire-DT, SWD-Modul IP20 MN05006001Z - Deutsch	ftp://ftp.moeller.net/DOCUMENTATION/AWB_MANUALS/MN05006001Z_DE.pdf
---	---

SmartWire-DT manual, SWD module IP20 MN05006001Z - English	ftp://ftp.moeller.net/DOCUMENTATION/AWB_MANUALS/MN05006001Z_EN.pdf
--	---

Manuale SmartWire-DT, modulo SWD IP20 MN05006001Z - italiano	ftp://ftp.moeller.net/DOCUMENTATION/AWB_MANUALS/MN05006001Z_IT.pdf
--	---

MN05006002Z (AWB2723-1617) SmartWire-DT, The system

MN05006002Z (AWB2723-1617) SmartWire-DT, Das System - Deutsch	ftp://ftp.moeller.net/DOCUMENTATION/AWB_MANUALS/MN05006002Z_DE.pdf
---	---

MN05006002Z (AWB2723-1617) SmartWire-DT, The system - English	ftp://ftp.moeller.net/DOCUMENTATION/AWB_MANUALS/MN05006002Z_EN.pdf
---	---

MN05006002Z (AWB2723-1617) SmartWire-DT, il sistema - italiano	ftp://ftp.moeller.net/DOCUMENTATION/AWB_MANUALS/MN05006002Z_IT.pdf
--	---