




Indicator light, flush, blue, +filament lamp, 24 V

**Part no.** Q18LF-BL/WB  
**Catalog No.** 087860  
**Alternate Catalog No.** Q18LF-BL-WB

### Delivery program

|                            |  |  |  |
|----------------------------|--|--|--|
| Product range              |  |  | RMQ16  |
| Basic function             |  |  | Indicator lights   |
| Single unit/Complete unit  |  |  | Single unit  |
| Design                     |  |  | Flat   |
| <b>Colour</b>              |  |  |  |
| Lens                       |  |  | Blue   |
| Lens                       |  |  |  |
| Degree of Protection       |  |  | IP65   |
| Connection to SmartWire-DT |  |  | no   |
| Front dimensions           |  |  | Front dimensions 18 x 18 mm  |

### Technical data

#### General

|                                    |  |                 |  |
|------------------------------------|--|-----------------|--|
| Standards                          |  |                 | IEC/EN 60947   |
| Degree of protection, IEC/EN 60529 |  |                 | IP65   |
| Climatic proofing                  |  |                 | Damp heat, constant, to IEC 60068-2-78<br>Damp heat, cyclic, to IEC 60068-2-30 |
| Ambient temperature                |  |                 |  |
| Open                               |  | °C              | -25 - +60  |
| Enclosed                           |  | °C              | - 25 - 40  |
| Mounting position                  |  |                 | As required  |
| Mechanical shock resistance        |  | g               | > 40<br>according to IEC 60068-2-27<br>Shock duration 11 ms<br>Sinusoidal      |
| Terminal capacities                |  | mm <sup>2</sup> | 0.5 - 1.0  |
| Blade terminal                     |  |                 | 2.8 x 0.8 mm to DIN 46244  |
| Fast-on connectors                 |  |                 | 2.8 x 0.8 mm to DIN 46247 and IEC 60760  |

#### Contacts

|                                       |                  |      |  |
|---------------------------------------|------------------|------|--|
| Rated impulse withstand voltage       | U <sub>imp</sub> | V AC | 800  |
| Rated insulation voltage              | U <sub>i</sub>   | V    | 250  |
| Overvoltage category/pollution degree |                  |      | III/3  |
| Rated operational voltage             | U <sub>e</sub>   | V AC | 24   |
| Use of insulated ferrule ISH 2,8      |                  |      | >24 V AC/DC recommended<br>>50 V AC or 120 V DC is mandatory, even on unused blade terminals |

### Design verification as per IEC/EN 61439

|  |                   |    |     |
|--|-------------------|----|-----|
| Technical data for design verification                   |                   |    |     |
| Rated operational current for specified heat dissipation | I <sub>n</sub>    | A  | 0   |
| Heat dissipation per pole, current-dependent             | P <sub>vid</sub>  | W  | 0   |
| Equipment heat dissipation, current-dependent            | P <sub>vid</sub>  | W  | 0   |
| Static heat dissipation, non-current-dependent           | P <sub>vs</sub>   | W  | 1   |
| Heat dissipation capacity                                | P <sub>diss</sub> | W  | 0   |
| Operating ambient temperature min.                       |                   | °C | -25 |

|  |  |    |  |
|--|--|----|--|
| Operating ambient temperature max.   |  | °C | 60   |
| IEC/EN 61439 design verification   |  |    |  |
| 10.2 Strength of materials and parts   |  |    |  |
| 10.2.2 Corrosion resistance  |  |    | Meets the product standard's requirements.   |
| 10.2.3.1 Verification of thermal stability of enclosures   |  |    | Meets the product standard's requirements.   |
| 10.2.3.2 Verification of resistance of insulating materials to normal heat   |  |    | Meets the product standard's requirements.   |
| 10.2.3.3 Verification of resistance of insulating materials to abnormal heat and fire due to internal electric effects |  |    | Meets the product standard's requirements.   |
| 10.2.4 Resistance to ultra-violet (UV) radiation   |  |    | Please enquire   |
| 10.2.5 Lifting   |  |    | Does not apply, since the entire switchgear needs to be evaluated.   |
| 10.2.6 Mechanical impact   |  |    | Does not apply, since the entire switchgear needs to be evaluated.   |
| 10.2.7 Inscriptions  |  |    | Meets the product standard's requirements.   |
| 10.3 Degree of protection of ASSEMBLIES  |  |    | Does not apply, since the entire switchgear needs to be evaluated.   |
| 10.4 Clearances and creepage distances   |  |    | Meets the product standard's requirements.   |
| 10.5 Protection against electric shock   |  |    | Does not apply, since the entire switchgear needs to be evaluated.   |
| 10.6 Incorporation of switching devices and components   |  |    | Does not apply, since the entire switchgear needs to be evaluated.   |
| 10.7 Internal electrical circuits and connections  |  |    | Is the panel builder's responsibility.   |
| 10.8 Connections for external conductors   |  |    | Is the panel builder's responsibility.   |
| 10.9 Insulation properties   |  |    |  |
| 10.9.2 Power-frequency electric strength   |  |    | Is the panel builder's responsibility.   |
| 10.9.3 Impulse withstand voltage   |  |    | Is the panel builder's responsibility.   |
| 10.9.4 Testing of enclosures made of insulating material   |  |    | Is the panel builder's responsibility.   |
| 10.10 Temperature rise   |  |    | The panel builder is responsible for the temperature rise calculation. Eaton will provide heat dissipation data for the devices. |
| 10.11 Short-circuit rating   |  |    | Is the panel builder's responsibility. The specifications for the switchgear must be observed.                                   |
| 10.12 Electromagnetic compatibility  |  |    | Is the panel builder's responsibility. The specifications for the switchgear must be observed.                                   |
| 10.13 Mechanical function  |  |    | The device meets the requirements, provided the information in the instruction leaflet (IL) is observed.                         |

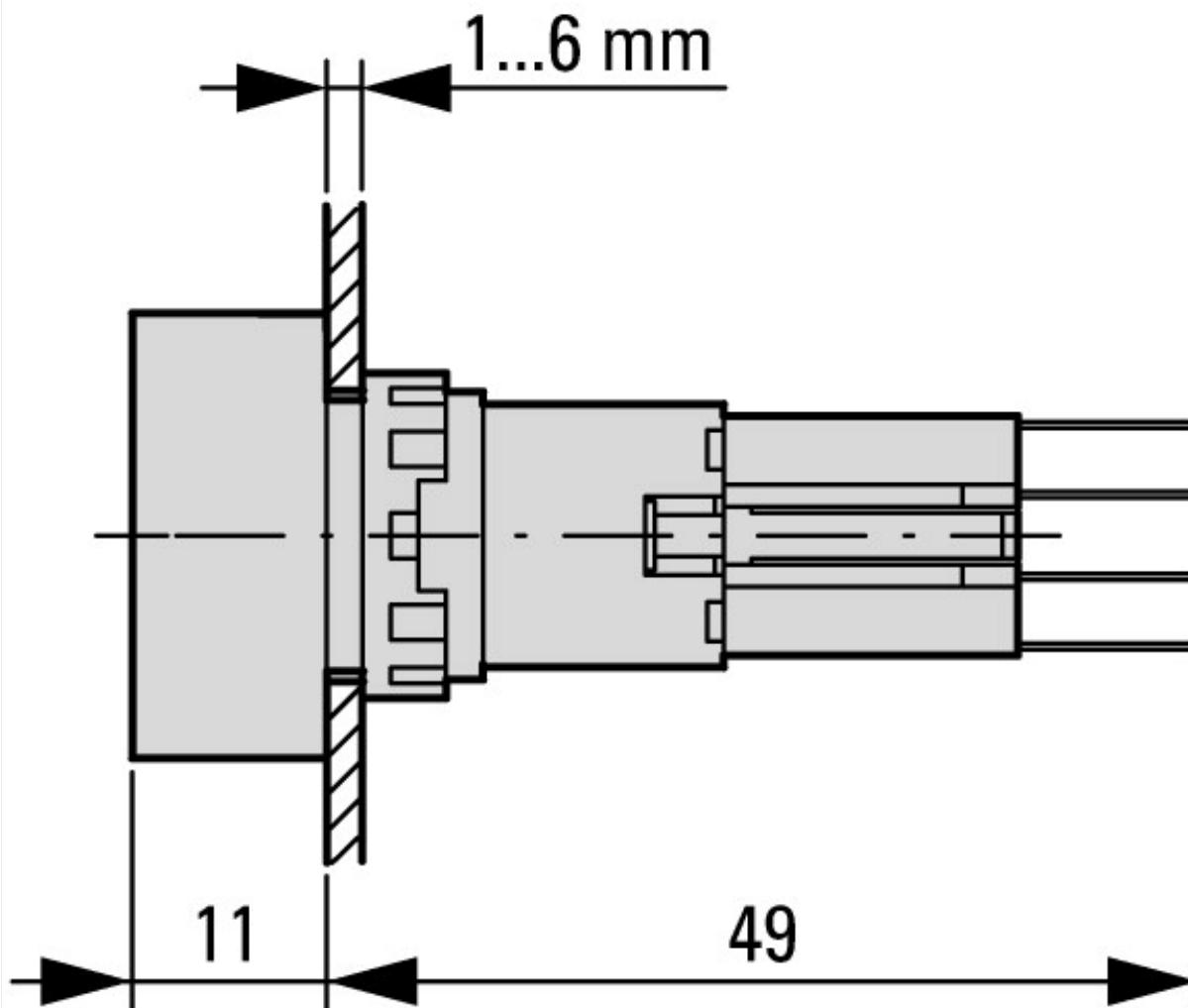
## Technical data ETIM 7.0

|  |  |    |         |
|--|--|----|---------|
| Low-voltage industrial components (EG000017) / Front element for indicator light (EC000223)  |  |    |         |
| Electric engineering, automation, process control engineering / Low-voltage switch technology / Command and alarm device / Front element for warning lights (ecl@ss10.0.1-27-37-12-11 [AKF029014]) |  |    |         |
| Suitable for number of built-in signal lights  |  |    | 1       |
| Colour lens  |  |    | Blue    |
| Construction type lens   |  |    | Square  |
| Hole diameter  |  | mm | 16      |
| Width opening  |  | mm | 0       |
| Height opening   |  | mm | 0       |
| With front ring  |  |    | Yes     |
| Material front ring  |  |    | Plastic |
| Colour front ring  |  |    | Black   |
| Type of lens   |  |    | Flat    |
| Degree of protection (IP), front side  |  |    | IP65    |

## Approvals

|                             |  |  |   |
|-----------------------------|--|--|---|
| Product Standards           |  |  | IEC/EN 60947-5; UL 508; CSA-C22.2 No. 14-05; CE marking |
| UL File No.                 |  |  | E29184  |
| UL Category Control No.     |  |  | NKCR  |
| CSA File No.                |  |  | 46552   |
| CSA Class No.               |  |  | 3211-03   |
| North America Certification |  |  | UL listed, CSA certified                                |
| Degree of Protection        |  |  | UL/CSA Type 1   |

## Dimensions



Actuating and indicator elements  
Square style

## Assets (links)

### Declaration of CE Conformity

00002898

### Instruction Leaflets

IL04716016Z2018\_05

## Additional product information (links)

### IL04716016Z (AWA1160-1429) Mounting of components

IL04716016Z (AWA1160-1429) Mounting of components

[ftp://ftp.moeller.net/DOCUMENTATION/AWA\\_INSTRUCTIONS/IL04716016Z2018\\_05.pdf](ftp://ftp.moeller.net/DOCUMENTATION/AWA_INSTRUCTIONS/IL04716016Z2018_05.pdf)