

Flange plate, IP66, insulating material, 12xM20 +2xM16 +2xM40/25 +2xM50/32

Part no. **F3A-12**  
 Catalog No. **076555**

EL-Nummer **2473240**  
 (Norway)

**Delivery program**

Product range		Accessories CS
Accessories		Flanges
Description		with metric cable entry knockouts
Material		Insulating material
Cable entry		12 x M20, 2 x M16 2 x M40/25 2 x M50/32
Surface finish		RAL 7035

**Technical data**

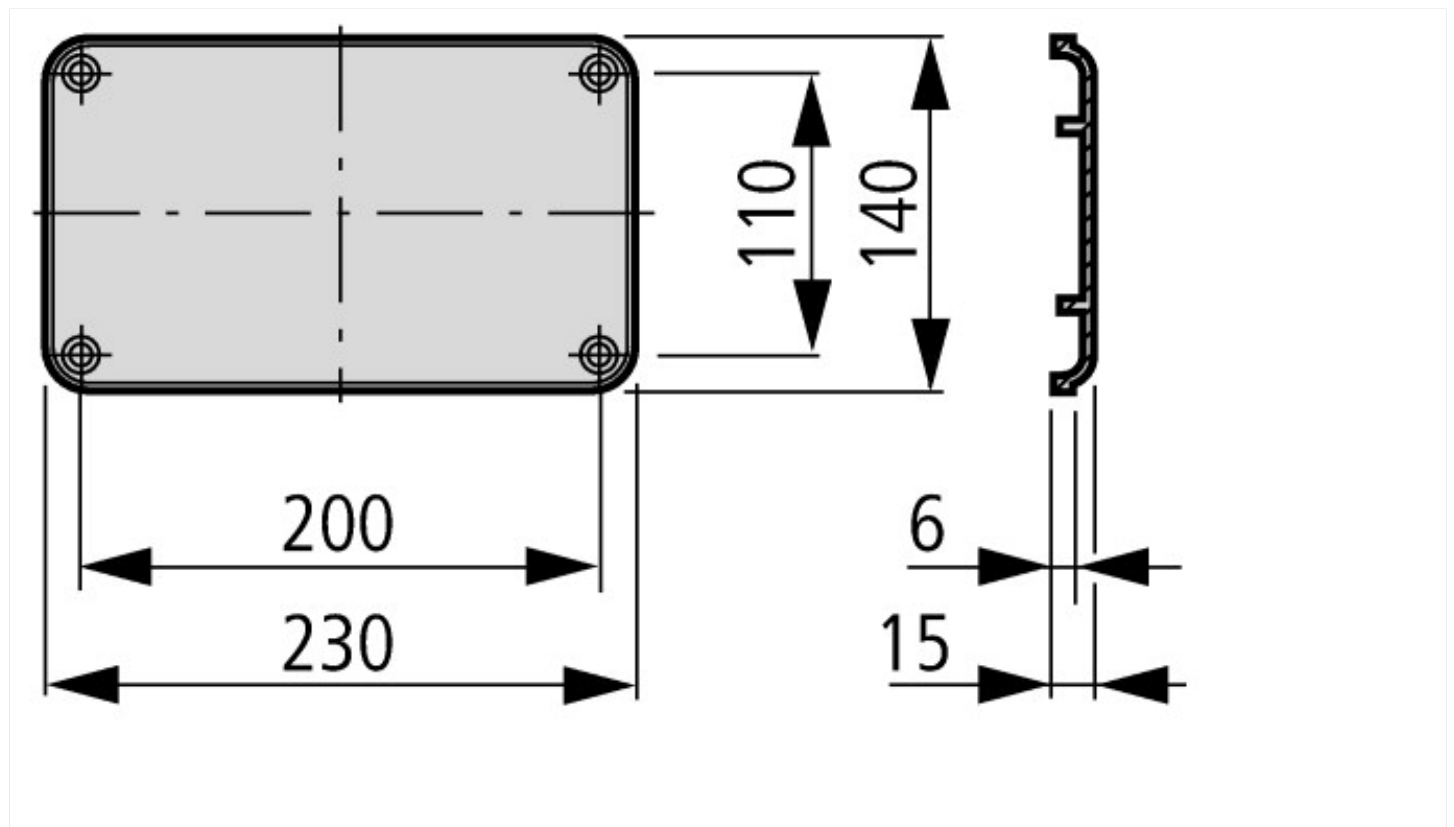
**Material characteristics**

Material		Insulating material
Surface finish		RAL 7035

**Technical data ETIM 7.0**

Distribution boards (EG000023) / Gland plate for small distribution boards/switchgear cabinets (EC000211)		
Electric engineering, automation, process control engineering / Electrical installation, device / Electrical distribution system (incl. small distribution board) / Gland plate for small distribution boards/switchgear cabinets (ecl@ss10.0.1-27-14-24-21 [ADI315007])		
Model		Cable screw gland
Type		Straight
Width	mm	140
Height	mm	20
Depth	mm	230
Material		Plastic
Surface protection		Untreated
Degree of protection (NEMA)		Other
Pre-stamping		Yes
Number of connector holes		0
Thread type		None
Suitable for nominal thread metric/PG		16 - 50

## Dimensions



## Additional product information (links)

Declaration of conformity

[http://intranet.moeller.net/technik\\_daten/file/produkt\\_deklarationen/file/konformitaeten/00002/00002259.pdf](http://intranet.moeller.net/technik_daten/file/produkt_deklarationen/file/konformitaeten/00002/00002259.pdf)