

Busbar adapter, 90mm, 25A, 1TS

Part no. BBA0R-25
Catalog No. 101453
Eaton Catalog No. BBA0R-25
EL-Nummer 2465048
(Norway)

Delivery program

Product range			60 mm system
Product range			Accessories
Accessories			Busbar adapters
			For fitting to flat Cu-busbars with 60 mm between busbar centres, suitable for 5 mm and 10 mm busbar thickness Rated operational current 25 A For reversing starters
For use with			Busbar adapter PKZ0, PKE
Rated operational voltage	U_e	V	690
Rated operational current	I_e	A	25
Terminal capacity			AWG 12 (4 mm ²)
Adapter width		mm	90
Adapter length		mm	200
DIN rail		Quantity	1
Adapter width		mm	90
For use with			PKZM0, PKE + 2 x DILM7-01 PKZM0, PKE + 2 x DILM9-01 PKZM0, PKE + 2 x DILM12-01 MSC-R-0,25-M7... - MSC-R-12-M12...

Notes In combination with individual components PKZM0, PKE, and DILM DOL reversing starter use PKZM0-XRM12.
 Completely mounted and tested combination with MSC-R...

Design verification as per IEC/EN 61439

Technical data for design verification			
Rated operational current for specified heat dissipation	I_n	A	25
Heat dissipation per pole, current-dependent	P_{vid}	W	0
Equipment heat dissipation, current-dependent	P_{vid}	W	1.9
Static heat dissipation, non-current-dependent	P_{vs}	W	0
Heat dissipation capacity	P_{diss}	W	0
Operating ambient temperature min.		°C	-25
Operating ambient temperature max.		°C	55
IEC/EN 61439 design verification			
10.2 Strength of materials and parts			
10.2.2 Corrosion resistance			Meets the product standard's requirements.
10.2.3.1 Verification of thermal stability of enclosures			
10.2.3.2 Verification of resistance of insulating materials to normal heat			Meets the product standard's requirements.
10.2.3.3 Verification of resistance of insulating materials to abnormal heat and fire due to internal electric effects			Meets the product standard's requirements.
10.2.4 Resistance to ultra-violet (UV) radiation			Meets the product standard's requirements.
10.2.5 Lifting			Does not apply, since the entire switchgear needs to be evaluated.
10.2.6 Mechanical impact			Does not apply, since the entire switchgear needs to be evaluated.
10.2.7 Inscriptions			Meets the product standard's requirements.
10.3 Degree of protection of ASSEMBLIES			Does not apply, since the entire switchgear needs to be evaluated.
10.4 Clearances and creepage distances			Meets the product standard's requirements.
10.5 Protection against electric shock			Does not apply, since the entire switchgear needs to be evaluated.
10.6 Incorporation of switching devices and components			Does not apply, since the entire switchgear needs to be evaluated.

10.7 Internal electrical circuits and connections		Is the panel builder's responsibility.
10.8 Connections for external conductors		Is the panel builder's responsibility.
10.9 Insulation properties		
10.9.2 Power-frequency electric strength		Is the panel builder's responsibility.
10.9.3 Impulse withstand voltage		Is the panel builder's responsibility.
10.9.4 Testing of enclosures made of insulating material		Is the panel builder's responsibility.
10.10 Temperature rise		The panel builder is responsible for the temperature rise calculation. Eaton will provide heat dissipation data for the devices.
10.11 Short-circuit rating		Is the panel builder's responsibility. The specifications for the switchgear must be observed.
10.12 Electromagnetic compatibility		Is the panel builder's responsibility. The specifications for the switchgear must be observed.
10.13 Mechanical function		The device meets the requirements, provided the information in the instruction leaflet (IL) is observed.

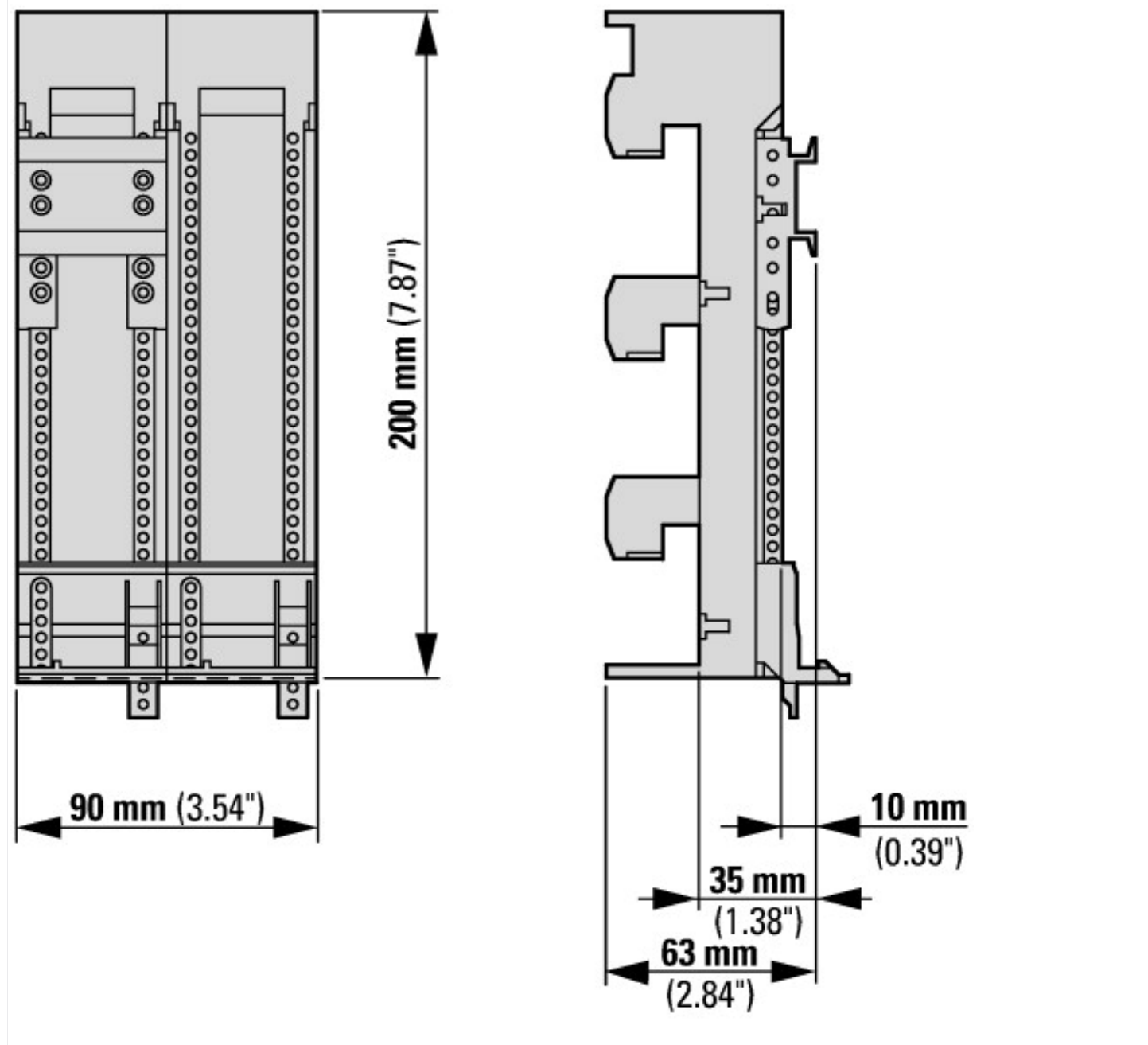
Technical data ETIM 6.0

Low-voltage industrial components (EG000017) / Busbar adapter (EC001531)		
Electric engineering, automation, process control engineering / Low-voltage switch technology / Busbar trunking system (LV circuitry) / Busbar adapter (low-voltage switching technology) (ecl@ss8.1-27-37-03-04 [ACN951008])		
Mounting rail armament		1 mounting rail
Type of electrical connection		Round conductor/copper band
Rated current I _n	A	25
Min. busbar thickness	mm	5
Max. busbar thickness	mm	10
Width of the adapter	mm	90
Rail width	mm	35
Busbar distance	mm	60

Approvals

Product Standards		UL 508A; CSA-C22.2 No. 14; IEC60439-1; CE marking
UL File No.		E300273
UL Category Control No.		NMTR; NMTR7
North America Certification		UL listed, certified by UL for use in Canada
Specially designed for North America		No
Max. Voltage Rating		600 V AC

Dimensions



Additional product information (links)

IL03402015Z (AWA1210-2324) Busbar adapter

IL03402015Z (AWA1210-2324) Busbar adapter ftp://ftp.moeller.net/DOCUMENTATION/AWA_INSTRUCTIONS/IL03402015Z2018_05.pdf

Motor starters and "Special Purpose Ratings" for the North American market http://www.moeller.net/binary/ver_techpapers/ver953en.pdf

Busbar Component Adapters for modern Industrial control panels http://www.moeller.net/binary/ver_techpapers/ver960en.pdf