



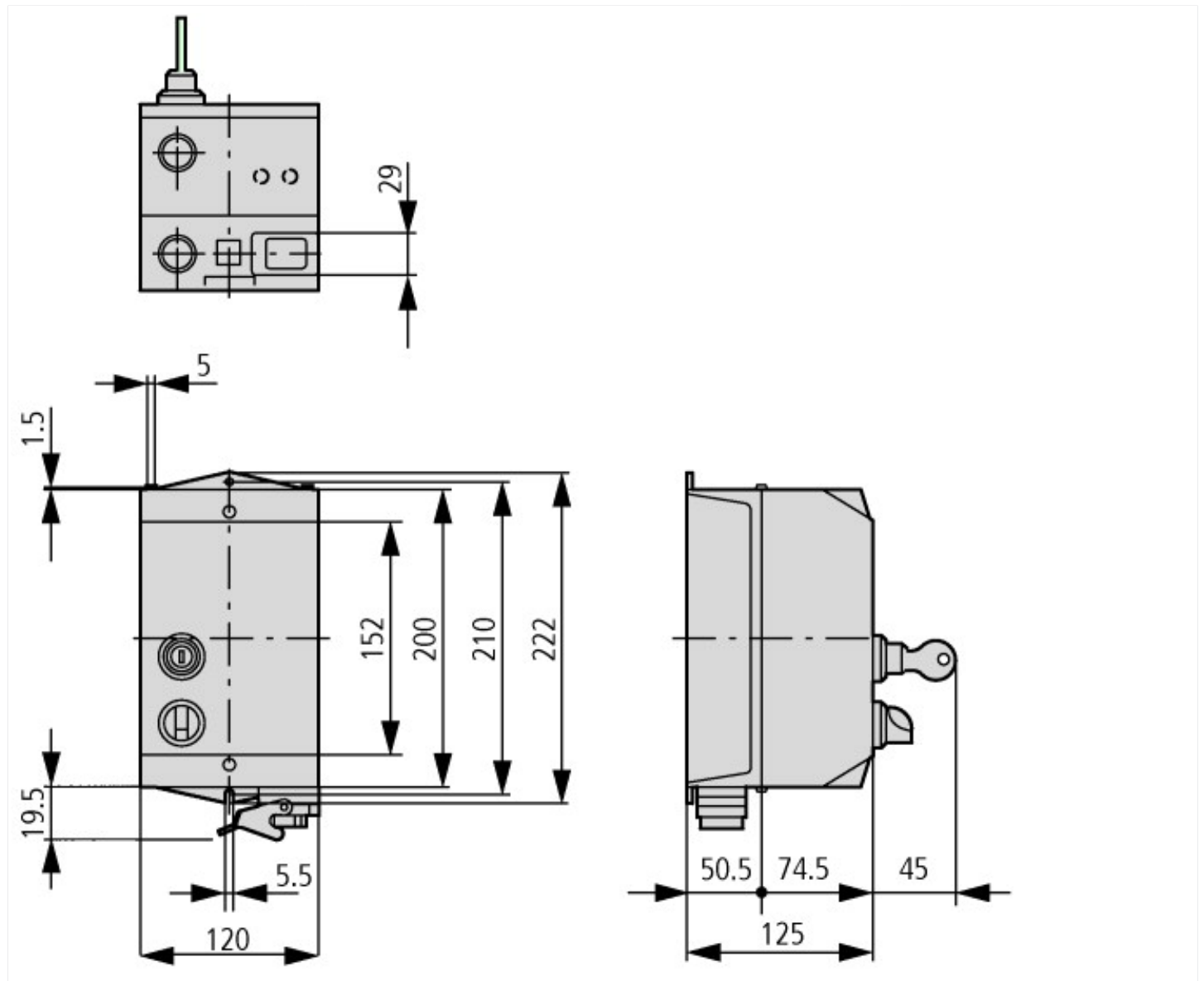
**Direct starter, to 6.6A, 2I, 10, key switch, Auto-Off/Reset-Man., flat conductor**

**Part no.** RA-MO2.1-D4A/C1  
**Article no.** 272022  
**Catalog No.** -

## Technical data ETIM 4.0

|   |  |    |                         |
|---|--|----|-------------------------|
| Function                                      |  |    | Direct starter          |
| Rated control supply voltage $U_s$ at AC 50HZ |  | V  | 400 - 400               |
| Rated control supply voltage $U_s$ at AC 60HZ |  | V  | 400 - 400               |
| Rated control supply voltage $U_s$ at DC      |  | V  | 0 - 0                   |
| Voltage type for actuating                    |  |    | DC                      |
| Rated operation power at AC-3, 400 V          |  | kW | 3                       |
| Rated operation current $I_e$                 |  | A  | 6,6                     |
| Conditioned rated short-circuit current $I_q$ |  | kA | 10                      |
| Setting range overload protector              |  | A  | 0,3 - 6,6               |
| With short-circuit release                    |  |    | Yes                     |
| Type of coordination                          |  |    | 1                       |
| Connection type main current circuit          |  |    | Flat plug-in connection |
| Degree of protection (IP)                     |  |    | IP65                    |
| Suited for bus connection                     |  |    | Yes                     |

## Dimensions



## Additional product information (links)

### AWA2190-2058 Rapid Link: Motor Control Unit

[AWA2190-2058 Rapid Link: Motor Control Unit](#)

### AWB2190-1430 Rapid Link Switching and Installation System

[AWB2190-1430 Schalt- und Installationssystem Rapid Link - Deutsch](#)

[AWB2190-1430 Rapid Link Switching and Installation System - English](#)

[AWB2190-1430 Système de commande et d'installation Rapid Link - français](#)