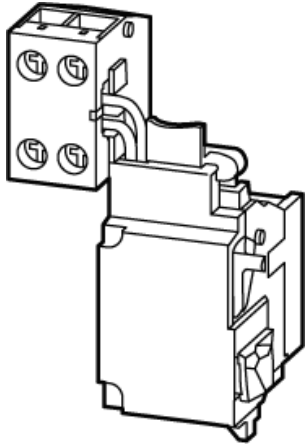


Type: **NZM1-XUC480-525AC**
 Article No.: **266277**



Non-delayed disconnection of NZM circuit-breakers or N switch-disconnectors when the control voltage sinks below 35 – 70% U_s .

For use with Emergency-Stop devices in conjunction with Emergency-Stop button.

Ordering information

Description			With clamp terminal on the left-hand switch side.
For use with			NZM1(-4), N1(-4)
Rated control voltage	U_s	V	480 V – 525 V 50/60 Hz
Auxiliary contacts			Without auxiliary contact

Notes concerning the product group

When the undervoltage release is de-energized, accidental contact with the main contacts of the switch during attempts to switch on, is safely prevented .

Undervoltage release cannot be installed simultaneously with NZM...-XHIV... early-make auxiliary contact or NZM...-XA... shunt release.

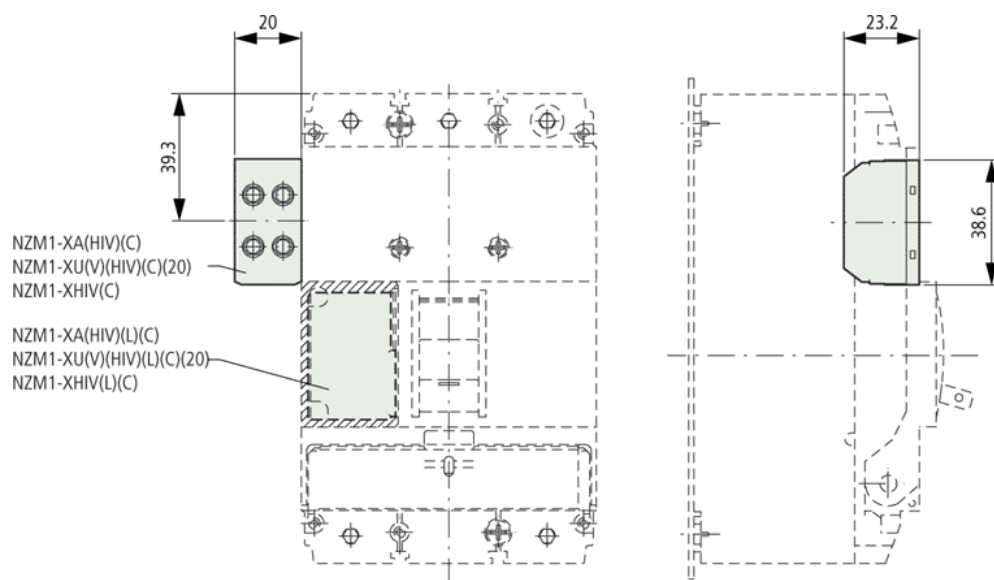
Undervoltage release

Rated control voltage			
AC	U_s	V AC	24 – 600
DC	U_s	V DC	12 – 250
Operating range			
Drop-out voltage		$\times U_s$	0,35 – 0,7
Pick-up voltage		$\times U_s$	0,85 – 1,1
Power consumption			

AC			
Sealing AC		VA	1,5
DC			
Sealing DC		W	0,8
Maximum opening delay (response time until opening of the main contacts)		ms	Approx. 19
Minimum command time		ms	Approx. 10 – 15
Terminal capacities			
Solid or flexible conductor with ferrule		mm ²	1 × (0.75 – 2.5) 2 × (0.75 – 2.5)
		AWG	1 × (18 – 14) 2 × (18 – 14)

Dimensions

Dimensions



Moeller GmbH, Hein-Moeller-Str. 7-11, D-53115 Bonn

E-Mail: catalog@moeller.net, Internet: www.moeller.net, <http://catalog.moeller.net>

Copyright 2006 by Moeller GmbH. Subject to modifications. HPL-C2006GB-INT V2.3