



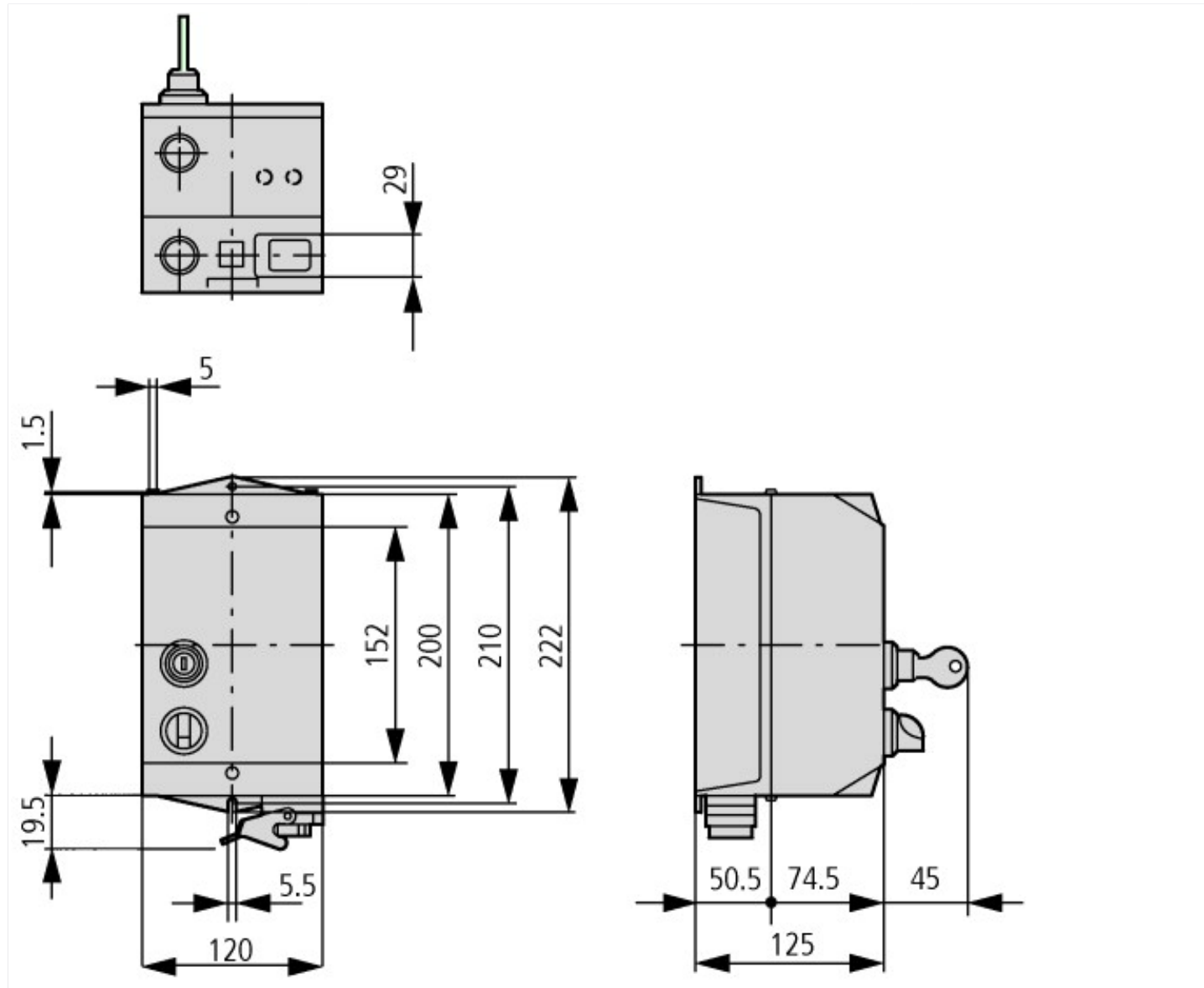
Reversing starter, to 6.6A, Rapid Link

Part no. RA-M02.1-W4/C1
Article no. 254670
Catalog No. -

Technical data ETIM 4.0

Function			Reversing starter
Rated control supply voltage Us at AC 50HZ		V	400 - 400
Rated control supply voltage Us at AC 60HZ		V	400 - 400
Rated control supply voltage Us at DC		V	0 - 0
Voltage type for actuating			DC
Rated operation power at AC-3, 400 V		kW	3
Rated operation current Ie		A	6,6
Conditioned rated short-circuit current Iq		kA	10
Setting range overload protector		A	0,3 - 6,6
With short-circuit release			Yes
Type of coordination			1
Connection type main current circuit			Flat plug-in connection
Degree of protection (IP)			IP65
Suited for bus connection			Yes

Dimensions



Additional product information (links)

AWA2190-2058 Rapid Link: Motor Control Unit

[AWA2190-2058 Rapid Link: Motor Control Unit](#)

AWB2190-1430 Rapid Link Switching and Installation System

[AWB2190-1430 Schalt- und Installationssystem Rapid Link - Deutsch](#)

[AWB2190-1430 Rapid Link Switching and Installation System - English](#)

[AWB2190-1430 Système de commande et d'installation Rapid Link - français](#)