



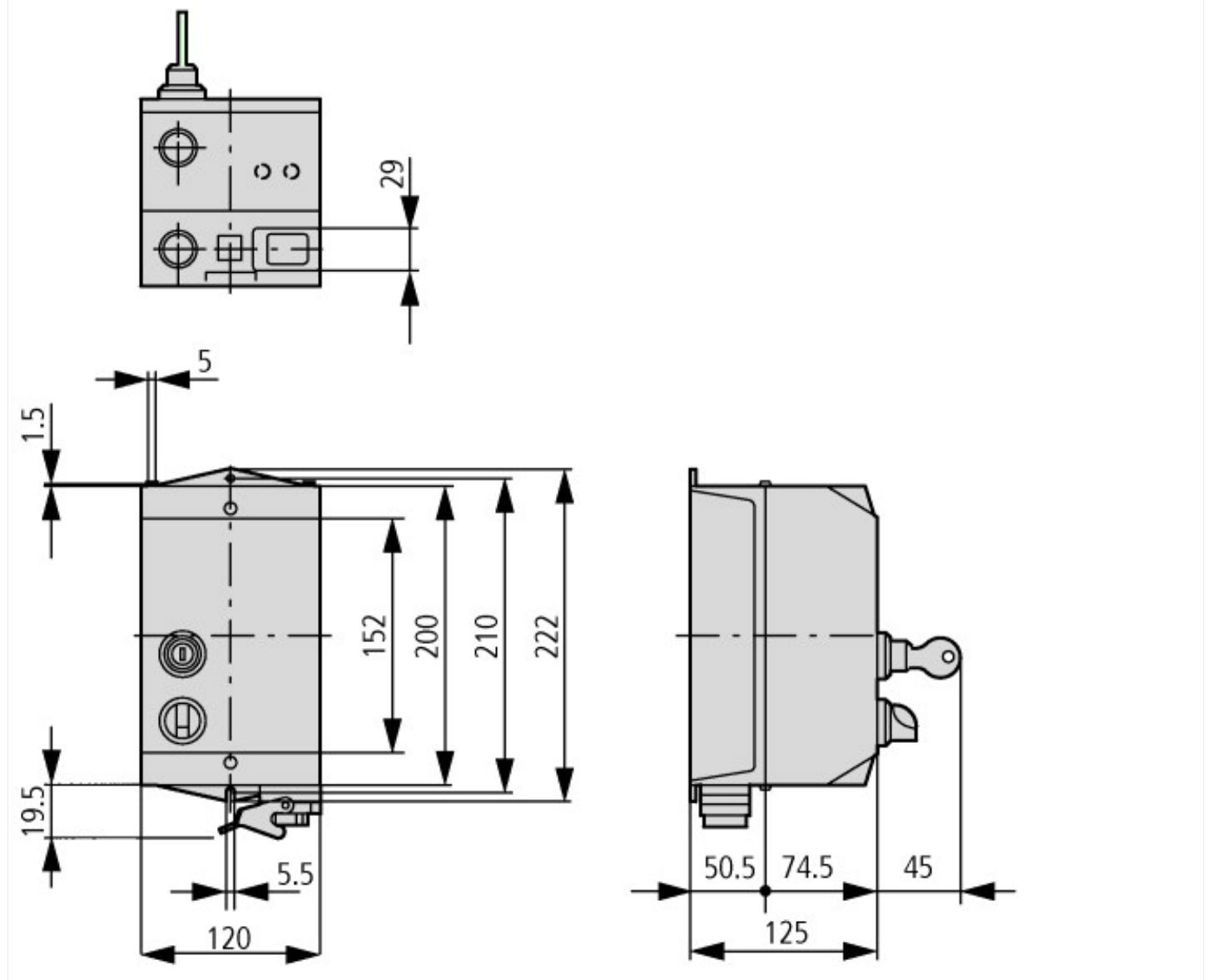
Reversing starter, to 6.6A, Rapid Link

Part no. RA-M02.1-W4A/C2
Article no. 272027
Catalog No. -

Technical data ETIM 4.0

| | | | |
|--|--|----|-------------------------|
| Function | | | Reversing starter |
| Rated control supply voltage Us at AC 50HZ | | V | 400 - 400 |
| Rated control supply voltage Us at AC 60HZ | | V | 400 - 400 |
| Rated control supply voltage Us at DC | | V | 0 - 0 |
| Voltage type for actuating | | | DC |
| Rated operation power at AC-3, 400 V | | kW | 3 |
| Rated operation current Ie | | A | 6,6 |
| Conditioned rated short-circuit current Iq | | kA | 10 |
| Setting range overload protector | | A | 0,3 - 6,6 |
| With short-circuit release | | | Yes |
| Type of coordination | | | 1 |
| Connection type main current circuit | | | Flat plug-in connection |
| Degree of protection (IP) | | | IP65 |
| Suited for bus connection | | | Yes |

Dimensions



Additional product information (links)

AWA2190-2058 Rapid Link: Motor Control Unit

[AWA2190-2058 Rapid Link: Motor Control Unit](#)

AWB2190-1430 Rapid Link Switching and Installation System

[AWB2190-1430 Schalt- und Installationssystem Rapid Link - Deutsch](#)

[AWB2190-1430 Rapid Link Switching and Installation System - English](#)

[AWB2190-1430 Système de commande et d'installation Rapid Link - français](#)