


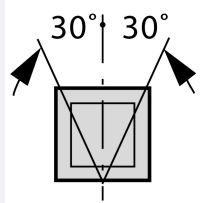
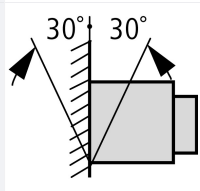
Circuit-breaker, 4p, 800A, fixed

Part no. IZM32B4-A08F  
 Catalog No. 124044

**Delivery program**

|  |                          |    |  |
|--|--------------------------|----|--|
| Product range  |                          |    | Air circuit-breakers/switch-disconnectors                      |
| Product range  |                          |    | Open circuit-breakers  |
| Current Range  |                          |    | 4000 to 6300 A   |
| Protective function  |                          |    | System protection  |
| Installation type  |                          |    | Fixed  |
| Construction size  |                          |    | IZM32  |
| Standard/Approval  |                          |    | IEC  |
| Number of poles  |                          |    | 4 pole   |
| Degree of Protection   |                          |    | IP20, IP55 with protective cover, IP41 with door sealing frame |
| Rated current = rated uninterrupted current  | $I_n = I_u$              | A  | 800  |
| Rated ultimate short-circuit breaking capacity up to 440V/690V 42/42   | $I_{cu}$                 | kA | 65   |
| Rated service short-circuit breaking capacity up to 440V/690V 42/42  | $I_{cs}$                 | kA | 65   |
| Overload release, min.   | $I_r$                    | A  | 320  |
| Overload release, max.   | $I_r$                    | A  | 800  |
| Non-delayed  | $I_j = I_n \times \dots$ |    | 2 - 10   |
|                              |                          |    |  |
| <b>Notes</b>   |                          |    |  |
| Including rear connection main terminals and secondary terminal blocks according to ordered breaker options. |                          |    |  |

**Technical data**

|                              |   |    |  |
|------------------------------|---|----|--|
| <b>General</b>               |   |    |  |
| Standards                    |   |    | IEC/EN 60947   |
| Ambient temperature          |   |    |  |
| Storage                      | θ | °C | -25 - +70 (device with LCD-display -20 - +70)  |
| Operating (open)             |   | °C | -25 - +70 (device with LCD-display -20 - +70)  |
| Mounting position            |   |    | <br> |
| Utilization category         |   |    | B  |
| Degree of Protection         |   |    | IP20, IP55 with protective cover, IP41 with door sealing frame   |
| Direction of incoming supply |   |    | as required  |

**Main conducting paths**

|   |             |      |      |
|---|-------------|------|------|
| Rated current = rated uninterrupted current | $I_n = I_u$ | A    | 800  |
| Rated uninterrupted current at 50 °C        | $I_u$       | A    | 800  |
| Rated uninterrupted current at 60 °C        | $I_u$       | A    | 800  |
| Rated uninterrupted current at 70 °C        | $I_u$       | A    | 800  |
| Rated impulse withstand voltage             | $U_{imp}$   | V AC | 8000 |
| Rated operational voltage                   | $U_e$       | V AC | 690  |

|   |                 |    |       |
|---|-----------------|----|-------|
| Use in IT electrical power networks up to U = 440 V | I <sub>IT</sub> | kA | 13    |
| Overvoltage category/pollution degree               |                 |    | III/3 |
| Rated insulation voltage                            | U <sub>i</sub>  | V  | 1000  |

### Switching capacity

|   |                 |    |       |
|---|-----------------|----|-------|
| Rated short-circuit making capacity   | I <sub>cm</sub> |    |       |
| up to 440 V 50/60 Hz  | I <sub>cm</sub> | kA | 136   |
| up to 690 V 50/60 Hz  | I <sub>cm</sub> | kA | 137   |
| Rated short-time withstand current 50/60 Hz   |                 |    |       |
| t = 1 s   | I <sub>cw</sub> | kA | 65    |
| Rated short-circuit breaking capacity I <sub>cn</sub>                                   | I <sub>cn</sub> |    |       |
| IEC/EN 60947 operating sequence I <sub>cu</sub> 0-t-CO                                  |                 |    |       |
| up to 240 V 50/60 Hz  | I <sub>cu</sub> | kA | 65    |
| up to 440 V 50/60 Hz  | I <sub>cu</sub> | kA | 65    |
| up to 690 V 50/60 Hz  | I <sub>cu</sub> | kA | 65    |
| IEC/EN 60947 operating sequence I <sub>cs</sub> 0-t-CO-t-CO                             |                 |    |       |
| up to 240 V 50/60 Hz  | I <sub>cs</sub> | kA | 65    |
| up to 440 V 50/60 Hz  | I <sub>cs</sub> | kA | 65    |
| up to 690 V 50/60 Hz  | I <sub>cs</sub> | kA | 65    |
| Operating times   |                 |    |       |
| Closing delay via spring release  |                 | ms | 30    |
| Break times   |                 | ms | 40    |
| Total opening delay via shunt release   |                 | ms | 35    |
| Total opening delay via undervoltage release  |                 | ms | 35/70 |
| Total opening delay on non-delayed short-circuit release (up to complete arc quenching) |                 | ms | 35    |
| Maximum operating frequency   | Operations/h    |    | 60    |
| Heat dissipation at rated current I <sub>n</sub>  |                 |    |       |
| Fixed mounting  |                 | W  | 40    |
| Withdrawable units (switch with cassette)   |                 | W  | 85    |

### Weight

|                |  |    |    |
|----------------|--|----|----|
| Fixed mounting |  |    |    |
| 3-pole         |  | kg | 58 |
| 4-pole         |  | kg | 72 |
| Withdrawable   |  |    |    |
| 3-pole         |  | kg | 70 |
| 4-pole         |  | kg | 88 |
| Cassette       |  |    |    |
| 3 pole         |  | kg | 34 |
| 4 pole         |  | kg | 38 |

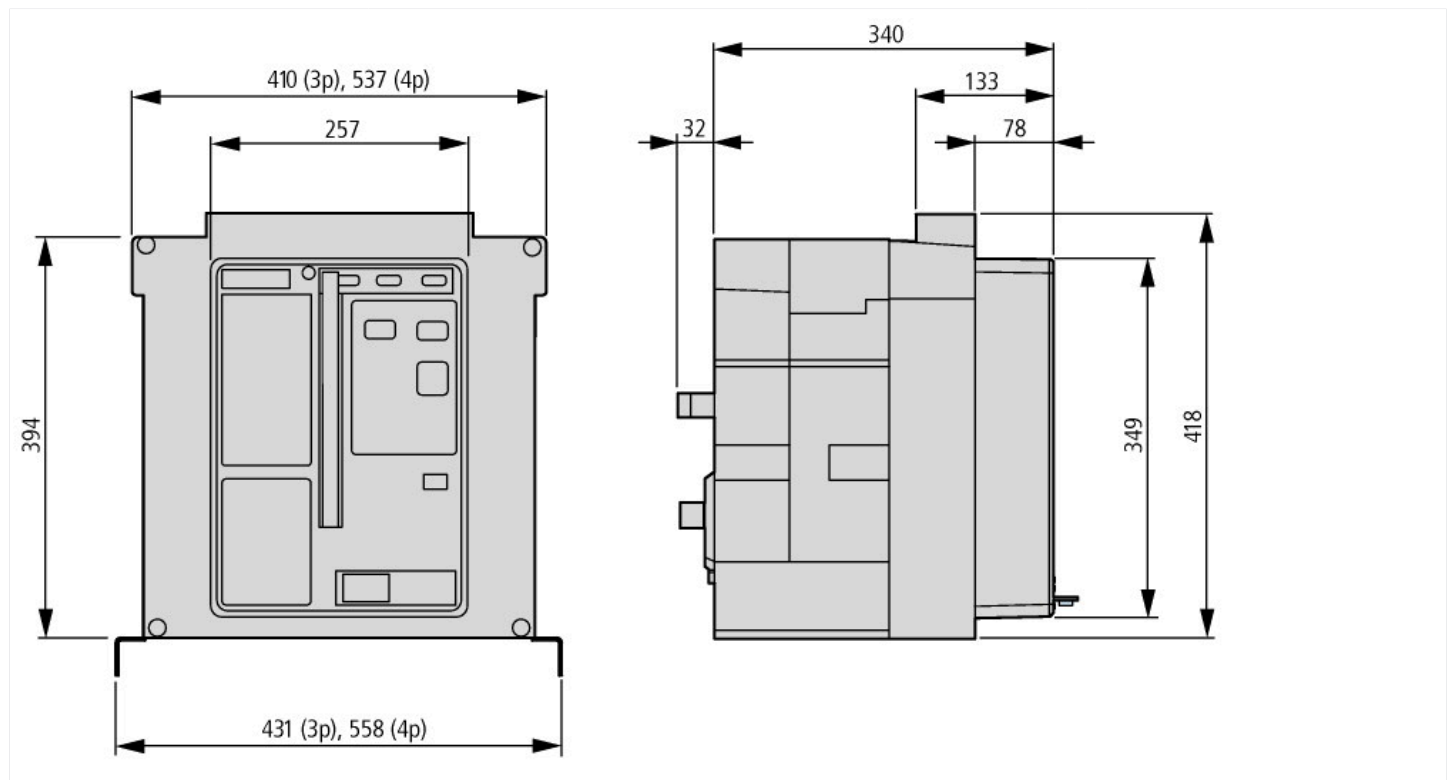
### Terminal capacities

|  |  |    |   |
|--|--|----|---|
| Copper bar                             |  |    |   |
| Fixed mounting                         |  |    |   |
| Black                                  |  | mm | 2 x 5 x 50  |
| Withdrawable units                     |  |    |   |
| Black                                  |  | mm | 2 x 5 x 50  |
|  |  |    | Permissible continuous current for circuit-breakers operating in switchboards at various internal ambient temperatures. The switchboard's internal ambient temperature should be estimated using the calculation methods of IEC regulation. |
| Other technical data (sheet catalogue) |  |    | Tripping characteristics for selective protection<br>Notes - tripping characteristics   |

### Design verification as per IEC/EN 61439

|  |  |    |     |
|--|--|----|-----|
| Technical data for design verification |  |    |     |
| Operating ambient temperature max.     |  | °C | -25 |
| Operating ambient temperature max.     |  | °C | 70  |

## Dimensions



## Additional product information (links)

|   |   |
|---|---|
| Tripping characteristics for selective protection | <a href="http://ecat.moeller.net/flip-cat/?edition=HPLEN&amp;startpage=18.78">http://ecat.moeller.net/flip-cat/?edition=HPLEN&amp;startpage=18.78</a> |
| Notes - tripping characteristics                  | <a href="http://ecat.moeller.net/flip-cat/?edition=HPLEN&amp;startpage=18.88">http://ecat.moeller.net/flip-cat/?edition=HPLEN&amp;startpage=18.88</a> |