



Power meter

Part no.
Article no.

KWZ-3PH
110825




Powering Business Worldwide™

Delivery programme

Product range			Accessories
Basic function			Power meter
Pole			3 + N
Rated current	I_n	A	5
			Connection via current transformers Power meters to IEC/EN 62053 for submeasurement For active/reactive energy Three-phase type also suitable for unequal load Programmable via 2 front actuators Sealable front plate and terminal area

Electrical

Rated operational voltage	U_e	V AC	230-240/400-415
Voltage range		V AC	110-254/190-440
Rated current	I_e	A	1, 5
Max. current	I_{max}	A	6
Rated frequency	f	Hz	50, 60
Critical frequency		Hz	
Limit frequency (-3 db)		Hz	47-63
Own power consumption per phase (rung)		VA	 0.5 (each phase)
Overload, intermittent			
Overload protection			$20 \times I_{max} / 0.5 \text{ s}$
Auxiliary voltage			from measurement
Input signal			sinusoidal
Accuracy class			1
LED signal			
LED display			1 Imp. / 0.1 Wh
Pulse output			
Rated value			max. 110 V AC/DC, 50 mA
Switching contact (potential-free)			Optocoupler
Pulse value (selectable)			1 Imp. / 10 Wh, 100 Wh, 1 kWh, 10 kWh optional 1 Imp. / 10 VARh, 100 VARh, 1 kVARh, 10 kVARh
Pulse duration (selectable)		ms	
Pulse duration		ms	50, 100, 150, 200, 300, 400, 500
Programmable parameters			Network types (1-phase, 3-phase, 3- or 4-conductor), External current and voltage converter, power average, pulse output
Overvoltage category			III
Insulation voltage (phase-phase)		V	450
Rated impulse withstand voltage (1.2/50) μs		kV	5
Test voltage			
Input/pulse output		kV	
Test voltage		kV	2.75
All circuits and earth		kV	
Test voltage between all circuits		kV	4
Protection class			
Protection class U_{out} to U_{in}			II

Mechanical

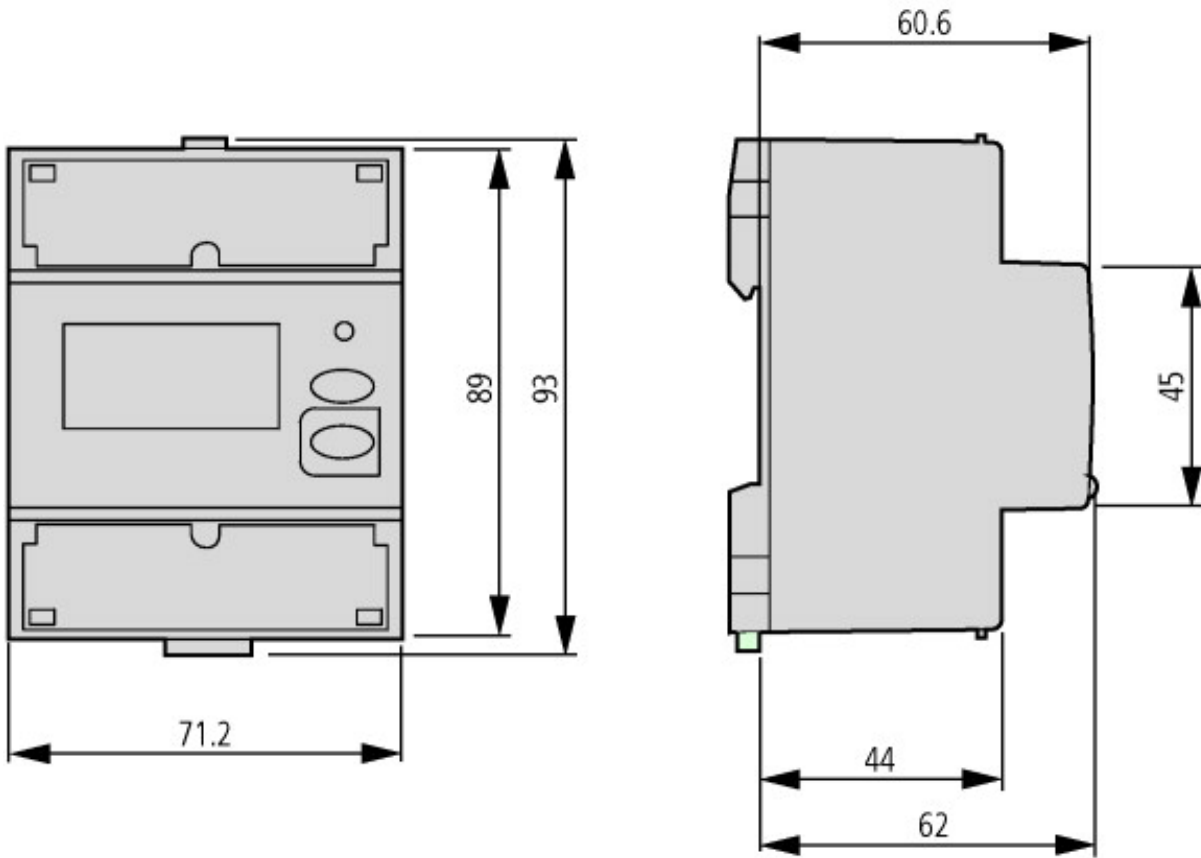
Standard front dimension		mm	45
Device height		mm	
Enclosure width		mm	89

Mounting width		mm	71.2
Weight		g	260
Display			LCD 8 digit
Digit height		mm	
Height		mm	6
Maximum indication			
Indication elements			Adjustable
Resolution			
Resolution of the A/D converter			Adjustable
Measured value indication			
Measured value			split over 6 pages
Mounting			Quick attachment for top-hat rail IEC/EN 60715
Degree of protection of enclosure front and terminals			
Terminals			IP52 / IP20
Terminals top and bottom			Screw terminals
Terminal capacities			
Current connections			
Solid		mm ²	
		mm ²	0.05 - 4
Stranded		mm ²	
		mm ²	0.05 - 2.5
Voltage connections			
Solid		mm ²	
		mm ²	0.05 - 4
Stranded		mm ²	
Flat conductor connection with busbars		mm ²	0.05 - 2.5
Permissible relative humidity			
Humidity class			geeignet auch für tropische Bedingungen
Reference temperature		°C	
Operating ambient temperature		°C	23 ± 2
Temperature range		°C	-5 to +55
Storage and transportation		°C	
Ambient temperature		°C	-25 - +70
Overvoltage category/pollution degree			2

Technical data ETIM 4.0

Type of meter service			Transducer connection
Energy type version of the kilowatt-hour meter			Watt-hour meter
Model			Three-conductor value transformer pulse generator meter
Nominal current of consumption measuring at transformer measuring			None
Rated voltage		V	230
Rated operation frequency		Hz	50 - 60
Tariff model of kilowatt-hour meter			Single-rate
With electronic pulse generator			No
Accuracy class			1
Calibrated			No
With impulse output			No
Energy related impuls interval		Imp/ kV Ah	0
Impulse I (falling flank, tristate)			No
Impulse M (rising flank)			No
Impulse I (falling flank)			No
Suitable for incremental data detection			No
Mounting method			Built-in

Dimensions



Power meter KWZ-3PH