

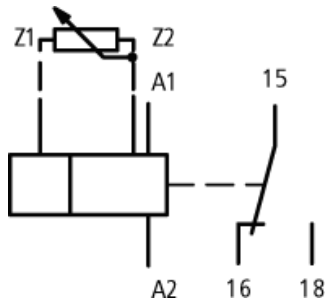
Type: **DILET70-W**  
 Article No.: **048899**  
 Sales text **TIMING RELAY DILET**



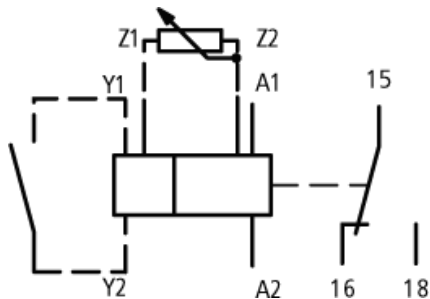
Ordering information			
Description			Multi-function relay with connection for remote potentiometer
Rated operational current AC-11			
220 V 230 V 240 V	$I_e$	A	3
380 V 400 V 440 V	$I_e$	A	3
Conventional thermal current	$I_{th}$	A	6
Time range			0.05 – 1 s 0.15 – 3 s 0.5 – 10 s 3 – 60 s 0,15 – 3 min 0.5 – 10 min 3 – 60 min 0.15 – 3 h 0.5 – 10 h 3 – 60 h
Function			Adjustable 11, On-delayed 21, Fleeting contact on energization 42, Flashing 81, Pulse generating ON-OFF
Function			

Adjustable 12, Off–delayed 16,  
 On– and Off–delayed 22,  
 Fleeting contact on  
 de–energization 82, Pulse  
 shaping ON–OFF  
 12, Off–delayed  
 16, On– and Off–delayed  
 22, Fleeting contact on  
 de–energization  
 82, Pulse shaping  
 ON–OFF

### Terminal marking according to EN 5042



### Terminal marking according to EN 5042



### Notes concerning the product group

Part no. suffix	Actuating voltage	
	V DC	V AC
–A	24 – 240	24 – 240, 50/60 Hz
–W	–	400, 50/60 Hz

Permissible cable length Connection to  
 Cable unscreened, with  
 cable cross–section 0.5 Y1/Y2, Z1/Z2  
 – 1.5 mm

Two–core cable 250 m

Two–core cable in the  
 same cable duct with 50 m  
 mains cable, 50/60 Hz

Accessories	Page
Time functions	→ Engineering
Sealable shroud	→ <a href="#">010482</a>
Potentiometer	→ <a href="#">229491</a>
Screw adapter	→ <a href="#">095853</a>
Blade terminals	→ <a href="#">059904</a>

## General

Standards			IEC/EN 60947, VDE 0660, UL, CSA IEC/EN 60255, VDE 0435
Lifespan, mechanical			
AC operated	Operations	$\times 10^6$	30
DC operated	Operations	$\times 10^6$	30
Climatic proofing			Damp heat, constant, to IEC 60068-2-78; Damp heat, cyclic, to IEC 60068-2-30
Ambient temperature			
Open		°C	-20...60
Enclosed		°C	-20...45
Mounting position			As required
Mechanical shock resistance (IEC/EN 60068-2-27)			
Half-sinusoidal shock, 20 ms			
Make contact	Make contact	g	4
Degree of protection			
Terminals			IP 20
Weight		kg	0,09
Terminal capacities			
Solid		mm <sup>2</sup>	1 × (0.75 – 2.5) 2 × (0.75 – 2.5)
Flexible with ferrule		mm <sup>2</sup>	1 × (0.75 – 1.5) 2 × (0.75 – 1.5)
Solid or stranded		AWG	1 × (18 – 14)

## Contacts

Rated impulse withstand voltage	$U_{imp}$	V AC	6000
Overtoltage category/pollution degree			III/2
Rated insulation voltage	$U_i$	V AC	600
Rated operational voltage	$U_e$	V AC	440

Safe isolation to VDE 0106 Part 101 and Part 101/A1			
between coil and auxiliary contacts		V AC	250
between the auxiliary contacts		V AC	250
Making capacity			
AC-14 $\cos = 0.3$ 440 V		A	48
AC-15 $\cos = 0.3$ 220 V		A	50
DC-11 L/R – 40 ms		$\times I_e$	1,1
Breaking capacity			
AC-14 $\cos = 0.3$ 440 V		A	3
AC-15 $\cos = 0.3$ 220 V		A	3
DC-11 L/R – 40 ms		$\times I_e$	1,1
Rated operational current			
AC—14			
440 V	$I_e$	A	3
AC-15			
220 V	$I_e$	A	3
DC-11			
L/R max. 15 ms			
24 V	$I_e$	A	1,5
L/R max. 50 ms		A	1,2
Conv. thermal current	$I_{th}$	A	6
Short-circuit rating without welding			
Max. fuse, make contacts		A gG/gL	6
Max. fuse, break contacts		A gG/gL	6

### Magnet systems

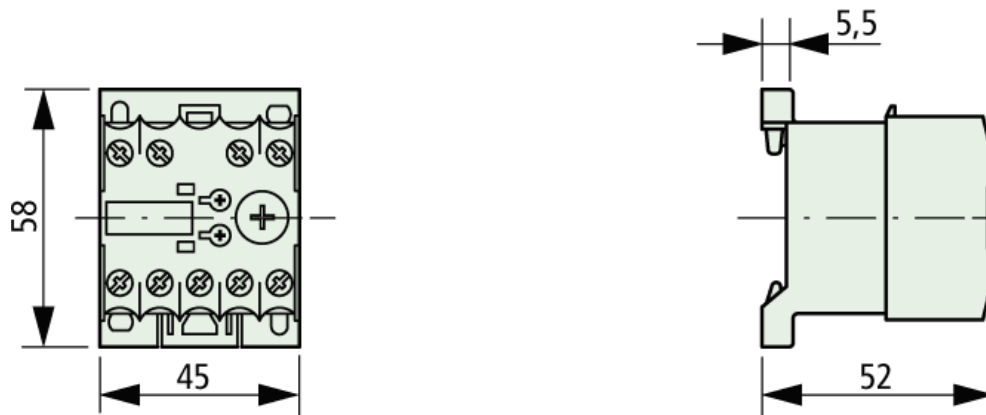
Power consumption			
Pick-up AC		VA	0,5
Sealing AC		VA	0,5
Duty factor		% DF	100
Maximum operating frequency		Ops/h	4000
Minimum command time			
AC		ms	50
Repetition accuracy (deviation)		%	0,5
Recovery time (after 100% time delay)		ms	70

### Notes

**Notes**

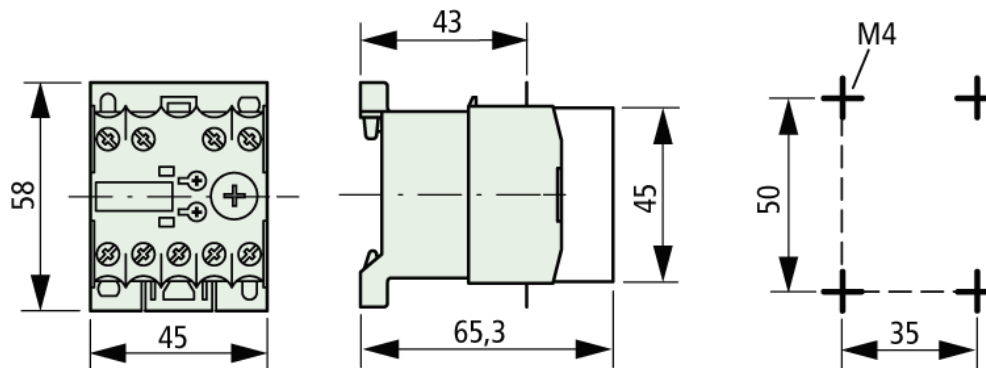
Making and breaking conditions to DC-13, time constant as stated  
When supplied directly from mains or transformer > 1000 VA  
Not DILET...-W  
ETR4-51: 50 ms

**Dimensions**



**DILET...**

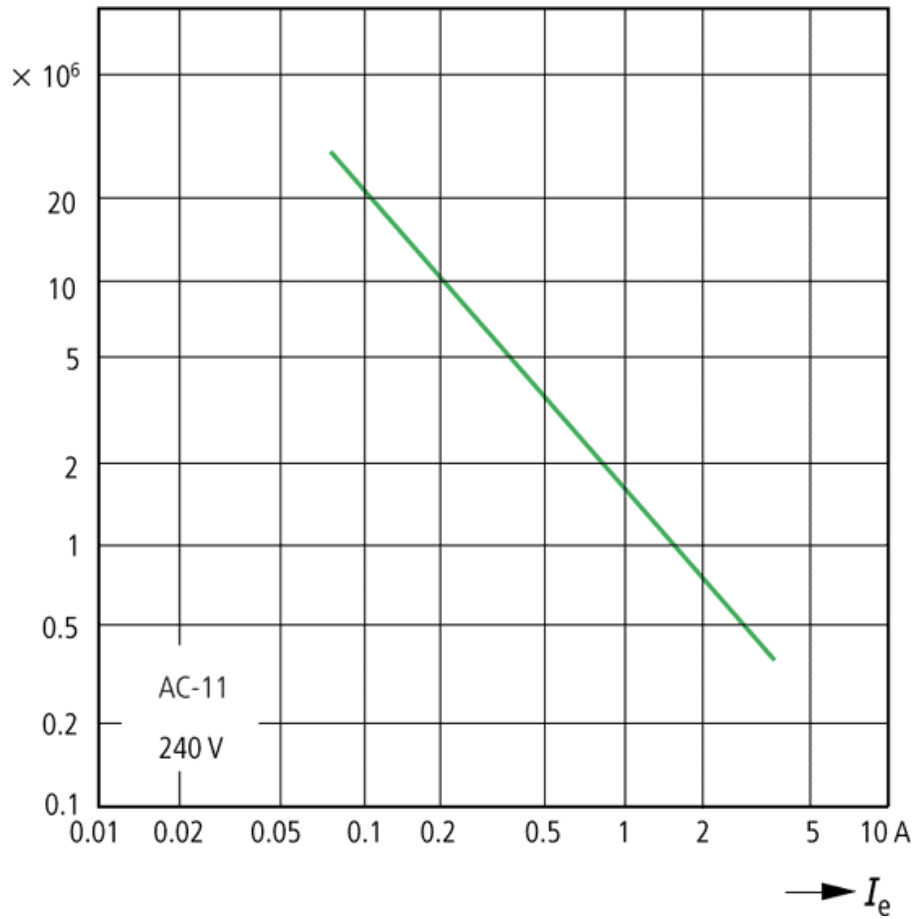
**Dimensions**



**DILET... + HDILE**

Electronic timing relay with sealable shroud

**Characteristic curve**




---

Component lifespan (operations)  
 $I_e$  = Rated operational current

---

Moeller GmbH, Hein-Moeller-Str. 7-11, D-53115 Bonn  
 E-Mail: [catalog@moeller.net](mailto:catalog@moeller.net), Internet: [www.moeller.net](http://www.moeller.net), <http://catalog.moeller.net>  
 HPL-C2007G V2.1 © 2007 by Moeller GmbH