



IP 55 | TYPE 12, 13 | IK 10



The mild steel combinable floor standing ICT enclosure range, MCI, is made up of integrated 19" profiles and a rear door. It is an ideal solution for ICT applications, and requires only limited assembly time, since the profiles are pre-mounted. Procurement is made easy with only one single item number for the whole solution.

Material: Frame: 1.5 mm steel plate. Door: 2 mm steel plate. Roof plate: 1.5 mm steel plate. Bottom plates: 1 mm galvanized steel. 19" profiles: 2 mm zinc plated steel.

Frame: Seam welded reversed open profiles with 25 mm hole pattern, according to DIN 43660. Including integrated external hole pattern.

Rear door: Mounted with hinges, allowing left or right hand opening. Including door frame with 25 mm hole pattern.

Side panels: Supplied as an accessory.

Roof panel: Removable.

Lock: Espagnolette 4-point locking system. Does not interfere with the enclosure inner space. Standard double-bit lock with 3 mm insert. Standard inserts, cylinders, lift handles and T-handles are available as accessories.

Bottom plates: Consists of three or four (D>600) pieces.

19" profiles: Provides front and side universal 19" hole pattern. Adjustable in depth by steps of 25 mm.

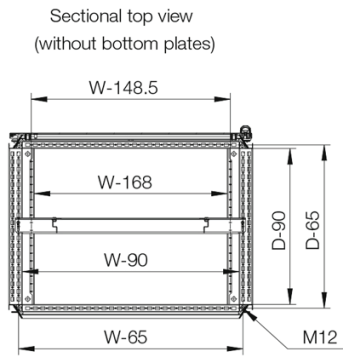
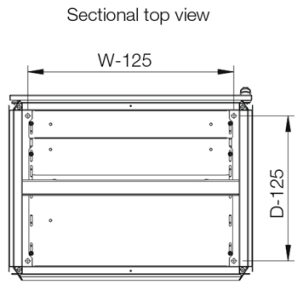
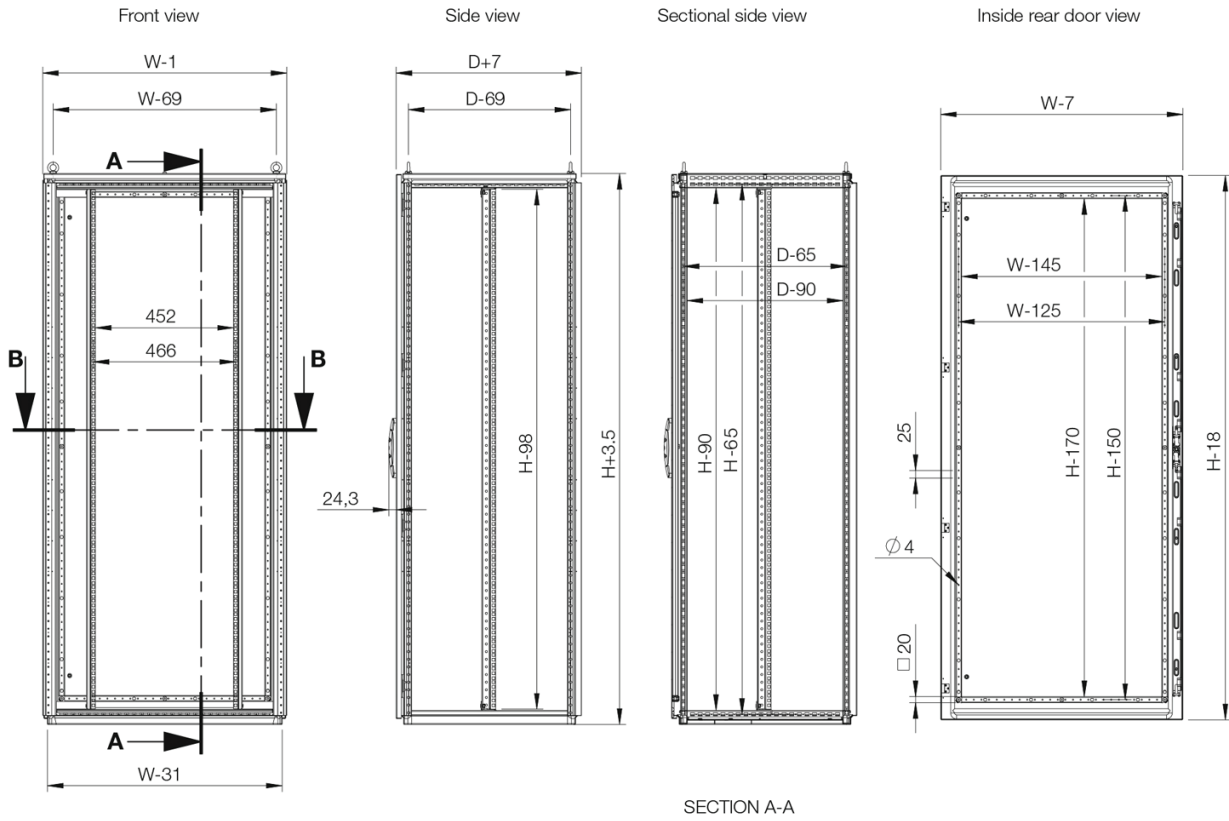
Earthing: All panels are earthed through their fittings and are equipped with a separate earthing stud.

Finish: Frame, rear door and roof plate: RAL 7035 structured powder coating. 19" profiles: zinc plated steel.

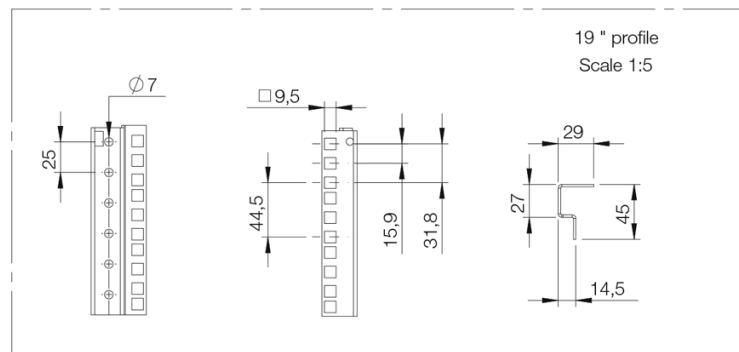
Protection: Complies with IP 55 | TYPE 12, 13 | IK 10, when plain front door and side panels are fitted.

Mounting requirements: Add side panels for closed sides. Front frame can be covered with FFC or fitted with a glazed or plain door.

Delivery: Frame with fitted rear door, roof panel, bottom plates. 19" profiles at front and fixing brackets CIB. For enclosures 2200 mm height, delivery includes two CMB profiles mounted in depth. Delivery also includes earthing bolts. Delivered on a pallet which is identical to the width of the enclosure to allow baying without removal. All packing material is recyclable.



SECTION B-B



Enclosure dimensions				
H	W	D	Height U	Item no.
1100	600	600	22	MCI11066R5
1400	800	600	29	MCI14086R5
1600	600	600	33	MCI16066R5
1800	600	600	38	MCI18066R5
1800	600	800	38	MCI18068R5
1800	800	600	38	MCI18086R5
2000	600	600	42	MCI20066R5
2000	600	800	42	MCI20068R5
2000	800	600	42	MCI20086R5
2000	800	800	42	MCI20088R5
2200	600	600	47	MCI22066R5
2200	600	800	47	MCI22068R5
2200	800	600	47	MCI22086R5
2200	800	800	47	MCI22088R5

MCI

Mild steel IP protected ICT Rack



CONNECT AND PROTECT