



IP 66 | TYPE 4X, 12, 13 | IK 10



This aluminium double wall, single door combinable enclosure, ECOM, is designed for outdoor use. It is available off the shelf in many several dimensions, and allows for the creation of many different configurations, since it is combinable. With a high IP 66 protection degree, anti-vandalism features, and effective thermal management capabilities, components within the enclosure will be very well protected.

Material: Aluminium ALMg3. Door: 2 mm. Rear panel: 2 mm. Rain hood: 2 mm. Bottom plate: 2 mm.

Frame: AISI 304L pre-grained stainless steel. Frame: 1.5 mm. Seam welded reversed open profiles with 25 mm hole pattern according to DIN 43660.

Door: Double walled with top and bottom ventilation openings, allowing air flow. Mounted with concealed hinges, allowing left or right hand opening.

Rear panel: Double walled with top and bottom ventilation openings allowing air flow. Fastened from the inside. Standard facilities for rear door mounting.

Rainhood: Sloped rainhood with integrated rain gutter and ventilation channels around the perimeter.

Side panels: Supplied as an accessory.

Bottom plates: One piece bottom plate, with injected polyurethane gasket to ensure maximum sealing.

Lock: Espagnolette 4-point locking system. Does not interfere with the enclosure inner space. Standard lift handle with security lock.

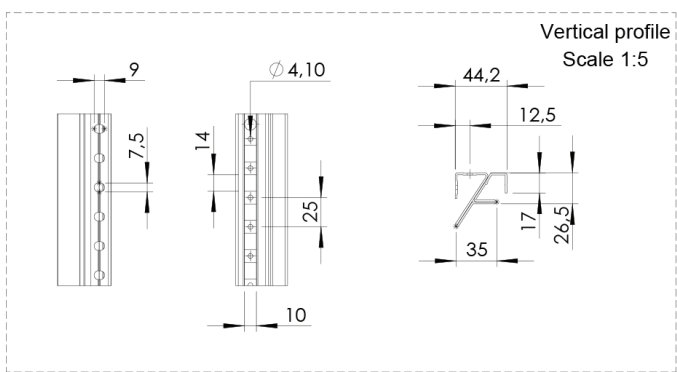
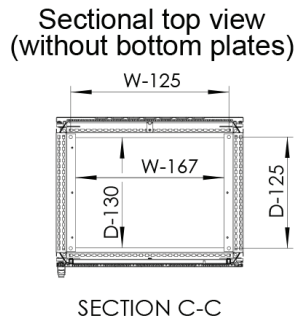
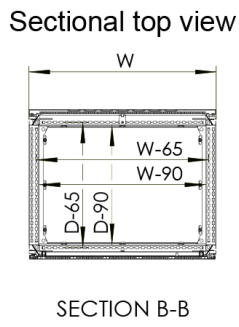
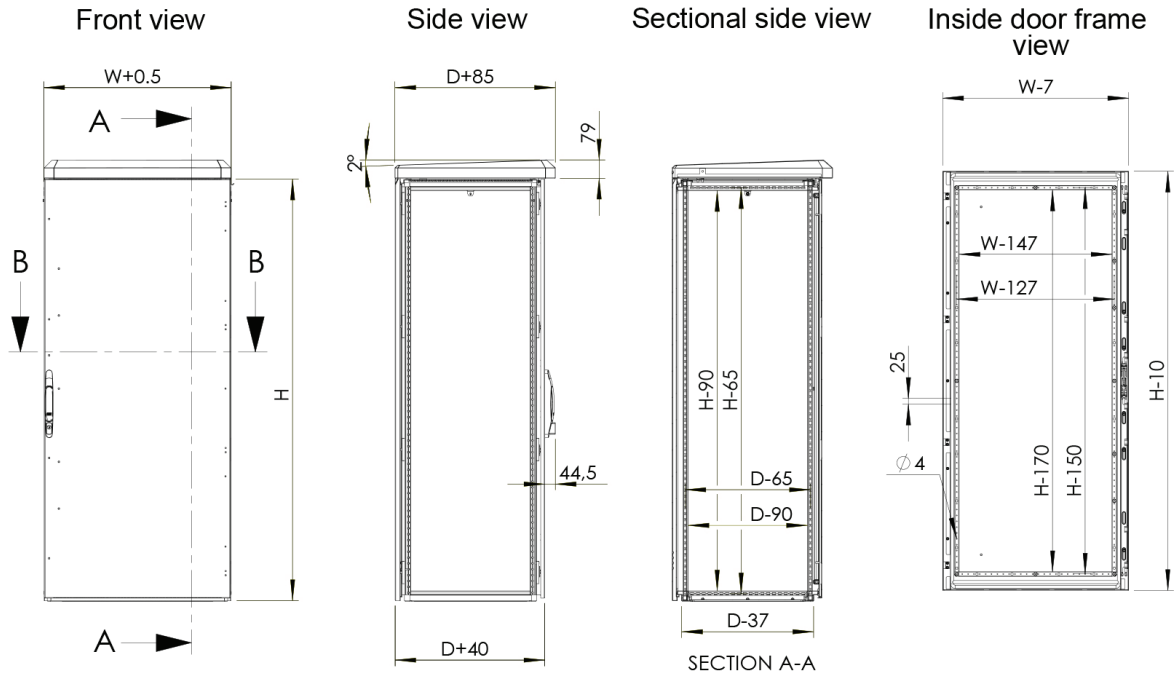
Earthing: Internal panels are earthed through their fittings and are equipped with a separate earthing stud.

Finish: RAL 7035 structured powder coating 100% polyester.

Protection: Complies with IP 66 | TYPE 4X, 12, 13 | IK 10, when bottom plate is fitted.

Approvals: Climatic and Chemically active substances resistance according to EN61969-3 "Mechanical structures for electronic equipment. Outdoor enclosures".

Delivery: Frame with fitted door and lifthandle, rear panel and rain hood. Delivery also includes earthing bolts. Delivered on a pallet which is identical to the width of the enclosure to allow baying without removal. All packing material is recyclable. Mounting plate and side panels are not included in the standard delivery.



Without mounting plate

Enclosure dimensions			
H	W	D	Item no.
1600	600	600	ECOM16066
1600	800	600	ECOM16086
1800	600	600	ECOM18066
1800	800	600	ECOM18086
2000	600	600	ECOM20066
2000	800	600	ECOM20086

ECOM

Combinable, single door, aluminium floor standing outdoor enclosure



CONNECT AND PROTECT