

Data sheet

Butterfly valves with hand lever VFY-WH, VFY-LH

Description



Features:

- Spline driven one piece shaft connected to spherically machined disc allows high torque transmission i.e. quick response and minimum back-lash
- Long term reliability due to upper and lower anti-friction bearings
- Safe maintenance : shaft blow out protection with circlip
- Padlockable hand lever with 10 positions.

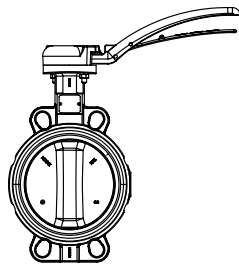
Main Data*:

- DN 25 (32)-200
- k_{vs} 40 (62)-2500 m³/h
- PN 16 (10)
- EPDM Liner
- Stainless steel or Ductile iron Epoxy Coated disc
- Medium:
 - Circulation water or chilled glycolic water up to 50 %
- Medium temperature:
 - 10 ... 120 °C (EP disc)
 - 10 ... 130 °C (SS disc)
- Wafer or Lug connection
- Approvals: **CE EAC**

** please check the Directive 2014/68/UE table at the end of the data sheet for appropriate product selection*

Ordering

Wafer type **VFY-WH**

	DN	k_{vs} (m ³ /h)	PN	T _{max} (°C)	Disc	Code No.
	25	40	10	16	130	Stainless Steel
32/40	62	065B7351				
50	79	065B7410				
65	174	065B7411				
80	275	065B7412				
100	496	065B7413				
125	883	065B7414				
150	1212	065B7415				
200	2500	065B7416				
50	79	16	120	Ductile iron Epoxy Coated	065B8400	
65	174				065B8401	
80	275				065B8402	
100	496				065B8403	
125	883				065B8404	
150	1212				065B8405	
200	2500				065B8406	

Ordering

Lug type **VFY-LH**

	DN	k_{vs} (m ³ /h)	PN	T _{max} (°C)	Disc	Code No.
	32	62	16	130	Stainless Steel	065B7365
	40	62				065B7366
	50	79				065B7420
	65	174				065B7421
	80	275				065B7422
	100	496				065B7423
	125	883				065B7424
	150	1212				065B7425
	200	2500	065B7436			
	50	79	16	120	Ductile iron Epoxy Coated	065B8410
	65	174				065B8411
	80	275				065B8412
	100	496				065B8413
125	883	065B8414				
150	1212	065B8415				
200	2500	065B8416				

Spare parts

Note:
Please contact Danfoss sales to align on details before ordering spare parts.

Replacement Liner **VFY-W Liner**

DN	PN	Liner	Code No.
25	16	EPDM	065B7580
32/40			065B7581
50			065B7582
65			065B7583
80			065B7584
100			065B7585
125			065B7578
150			065B7579
200			065B7592

Replacement Hand lever **VFY-Handle**

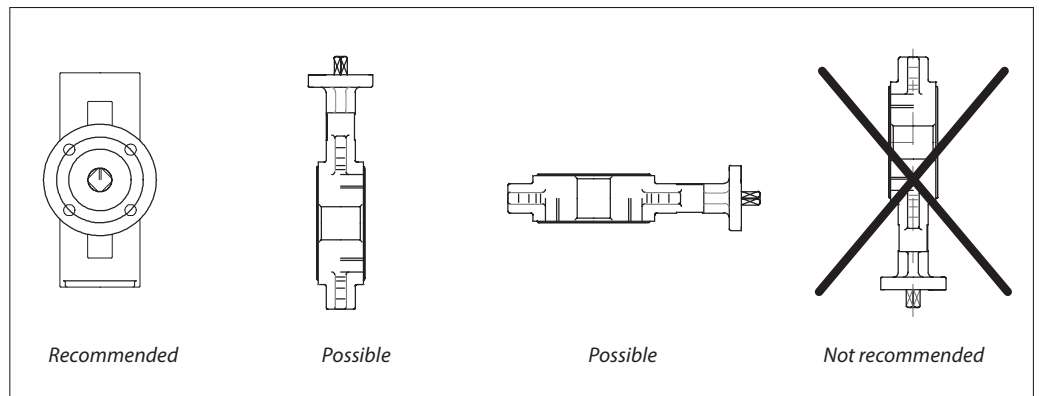
for DN	Code No.
25/32/40/50/65/80/100	065B7605
125/150/200	065B7606

Technical data

Type		VFY-WH	VFY-LH
Nominal diameter	DN	25-200	32-200
k_{vs} value	m ³ /h	40-2500	62-2500
Rotation angle		90°	
Leakage rate		Acc. to PED 2014/68/EU, EN 12266-1, Rate A ¹⁾	
Nominal pressure	PN	16 (from DN 32-200) / 10 (for DN 25)	16
Medium		Circulation water, Glycolic water up to 50 %	
Medium temp.	EP disc	°C	-10 ... 120 (see p-T diagram)
	SS disc		-10 ... 130 (see p-T diagram)
Connection		Wafer (centering lugs)	Lug (tapped lugs)
Mounting		Mounting between flanges	Mounting between flanges or mounting deadline
Material			
Body		Cast iron EN GJL 250 (DIN GG25)	Cast iron EN GJL 250 (DIN GG25) DN 32-150 Ductile iron (DIN GGG40) DN 200
Disc		Ductile iron EN GJS 400-15 (DIN GGG 40) with Epoxy coating or Stainless Steel	
Shaft		Stainless steel AISI 420	
Liner		EPDM	
Circlip		Steel XC 75 / Stainless steel	
O-ring		Nitrile/Viton	
Upper guide bush		Zinc coated S. + PTFE	
Lower guide bush		Zinc coated S. + PTFE	
Cap		EN GJS-400-15/EN GJL-250	
Hand lever		EN GJS-400-15	

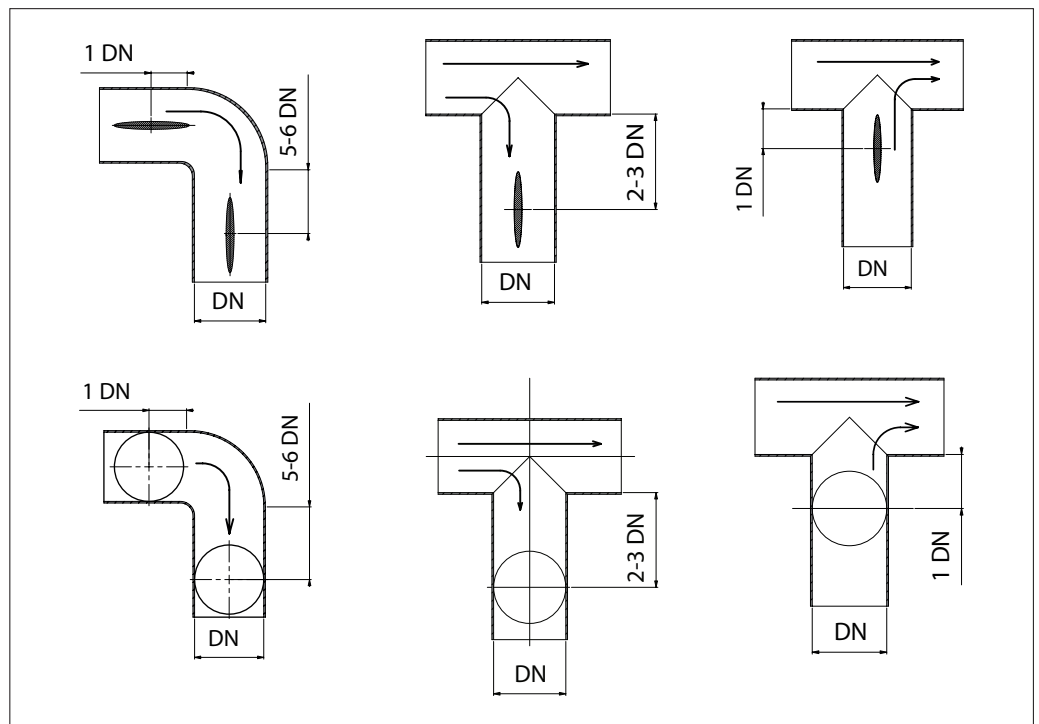
¹⁾ No visible detectable leakage during the testing procedure

Installation positions

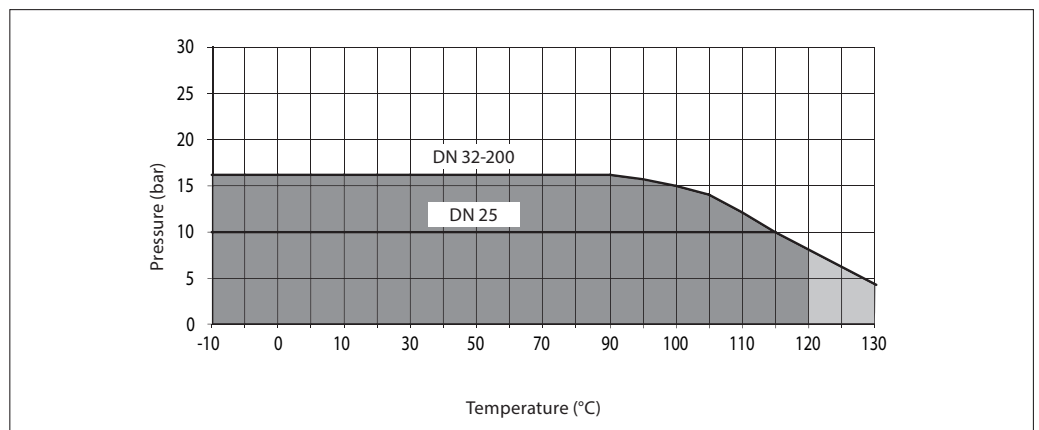


Installation conditions

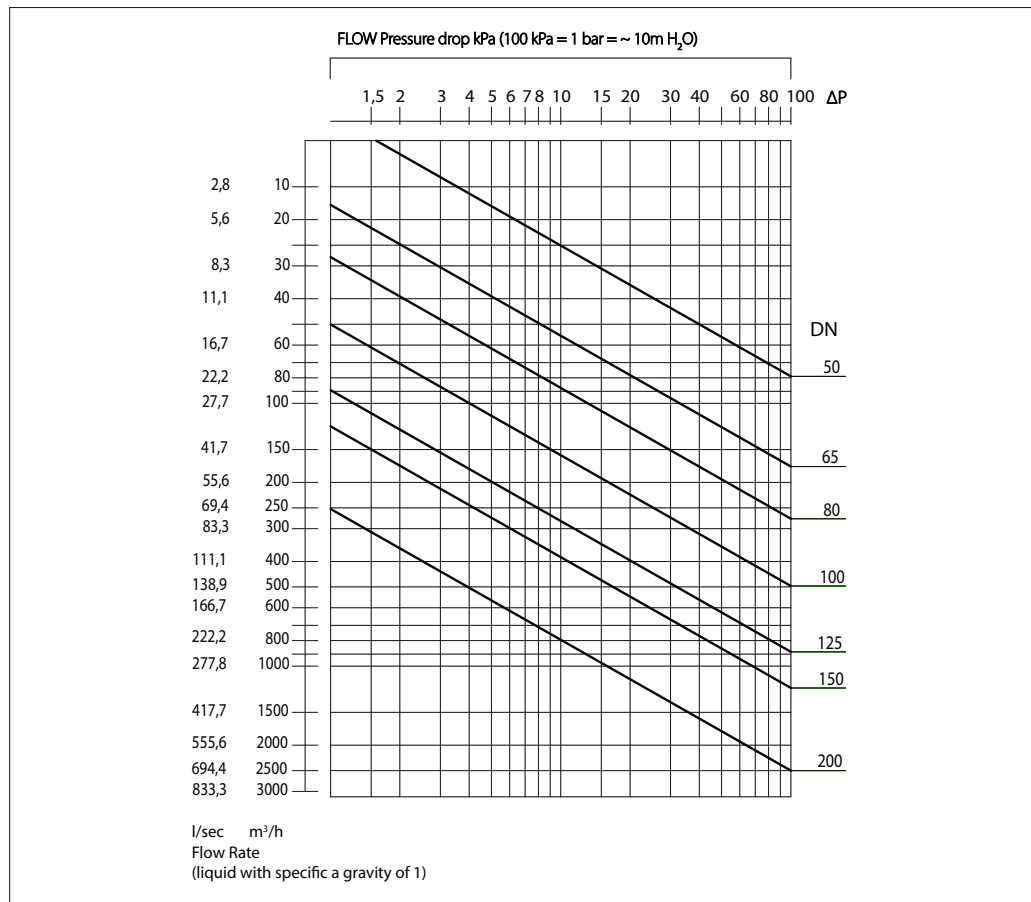
It is recommended that distances indicated below are respected in order to prolong lifetime of the valve. Mounting the valve close to pipework junctions (turbulent zones) increases wear.



P-T diagram

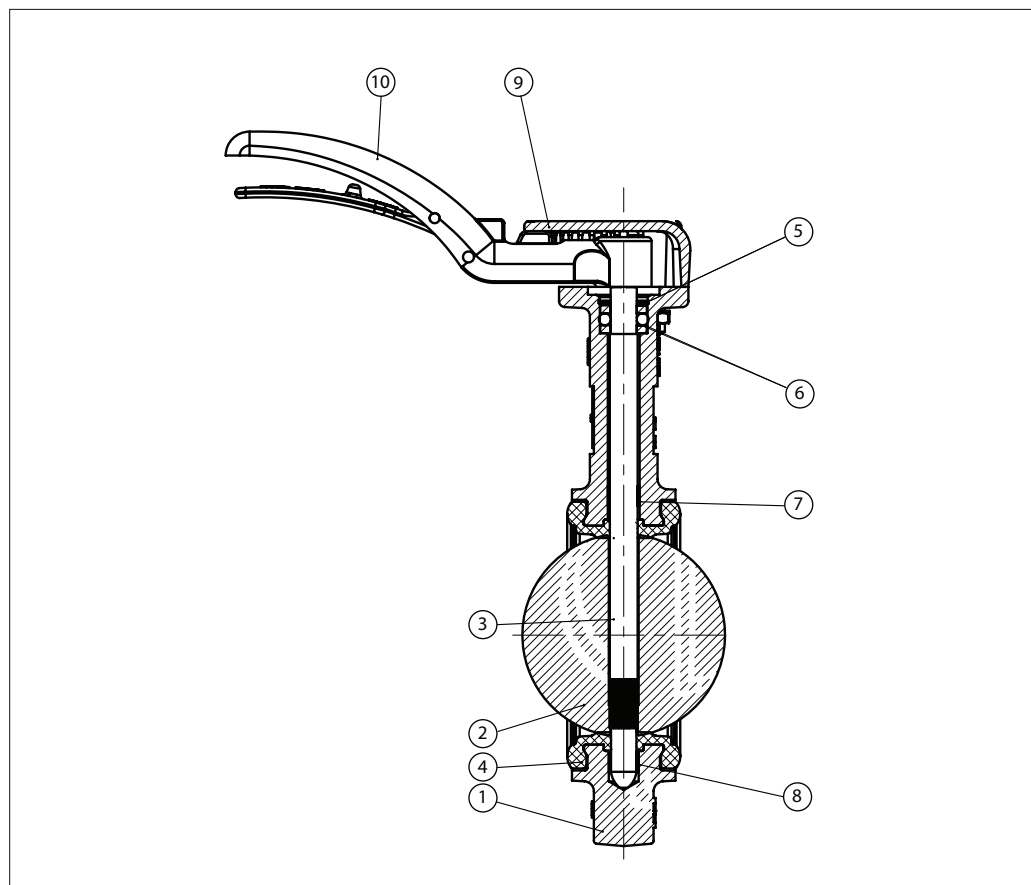


Headloss diagram
For water at 20°C



Design

- 1. Body
- 2. Disc
- 3. Shaft
- 4. Liner
- 5. Circlip
- 6. O-ring
- 7. Upper guide bush
- 8. Lower guide bush
- 9. Cap
- 10. Hand lever



Dimensions

VFY-WH

DN	Ø	A	B	C	D	E	Weight (kg)
							VFY-WH
25	32	50	158	200	33	45	2.3
32/40	43	57	163	200	33	45	2.4
50	54	62	169	200	43	45	3.3
65	70	70	178	200	46	45	3.6
80	85	89	184	200	46	45	4.0
100	100	106	208	200	52	45	6.3
125	125	120	223	290	56	65	7.5
150	150	131	236	290	56	65	8.5
200	200	165	258	290	60	65	12.2

VFY-LH

DN	Ø	A	B	C	D	E	Weight (kg)
							VFY-LH
32/40	43	57	163	200	33	45	2.8
50	54	62	169	200	43	45	3.7
65	70	70	178	200	46	45	4.1

DN	Ø	A	B	C	D	E	Weight (kg)
							VFY-LH
80	85	89	184	200	46	45	5.1
100	100	106	208	290	52	65	7.6
125	125	120	223	290	56	65	10.0
150	150	131	236	290	56	65	11.0
200	200	162	290	290	60	98	17.2



Data sheet

VFY-WH, VFY-LH

Directive 2014/68/UE
Equipments under pressure

Products manufactured in conformity with the requirements of the directive, according to pressure, DN and fluid. Relevant for countries following this Directive (ie, PED)

Family	DN (mm)	Cat.	Mounting	PFA	PS				
				water	L1	L2	G1	G2	
VFY DN25 to 350 mm with EPDM liner	10 bar	25 to 100	4\$3	Flanges	10	10	10	-	10
				End of line	6	6	6	-	6
		125 to 350	I	Flanges	10	10	10	-	10
				End of line	6	6	6	-	6
	16 bar	32 to 100	4\$3	Flanges	16	16	16	-	10
				End of line	12	12	12	-	10
		125	I	Flanges	16	16	16	-	10
				End of line	12	12	12	-	10
		150	I	Flanges	16	10	16	-	10
				End of line	12	6	12	-	10
		200 to 300	I	Flanges	16	10	16	-	10
				End of line	10	6	10	-	10
	350	I	Flanges	16	10	16	-	10	
			End of line	8	6	8	-	8	
	20 bar	32 to 250	4\$3	Flanges	20	-	20	-	-
				End of line	12	-	12	-	-
		300 to 350	I	Flanges	20	-	20	-	-
				End of line	12	-	12	-	-
25 bar	32 to 150	4\$3	Flanges	25	-	25	-	-	
			End of line	16	-	16	-	-	
VFY DN400 to 1200 mm with EPDM liner	10 bar	400 to 1200	I	Flanges	10	10	10	-	-
				End of line	6	6	6	-	-
	16 bar	400 to 1200	I	Flanges	16	-	16	-	-
				End of line	8	-	8	-	-
	20 bar	400 to 600	I	Flanges	20	-	20	-	-
				End of line	10	-	10	-	-
PS: Maximum allowable pressure (bars) in accordance with directive 2014/68/EC PFA: Allowable operating pressure (bars) for supply, distribution and disposal of water				L1: Group 1 liquid - Hazardous fluid category L2: Group 2 liquid - Other fluids G1: Group 1 gas - Hazardous gas category G2: Group 2 gas - Other gasses					

Danfoss A/S

Climate Solutions • danfoss.com • +45 7488 2222

Any information, including, but not limited to information on selection of product, its application or use, product design, weight, dimensions, capacity or any other technical data in product manuals, catalogues descriptions, advertisements, etc. and whether made available in writing, orally, electronically, online or via download, shall be considered informative, and is only binding if and to the extent, explicit reference is made in a quotation or order confirmation. Danfoss cannot accept any responsibility for possible errors in catalogues, brochures, videos and other material. Danfoss reserves the right to alter its products without notice. This also applies to products ordered but not delivered provided that such alterations can be made without changes to form, fit or function of the product.
All trademarks in this material are property of Danfoss A/S or Danfoss group companies. Danfoss and the Danfoss logo are trademarks of Danfoss A/S. All rights reserved.