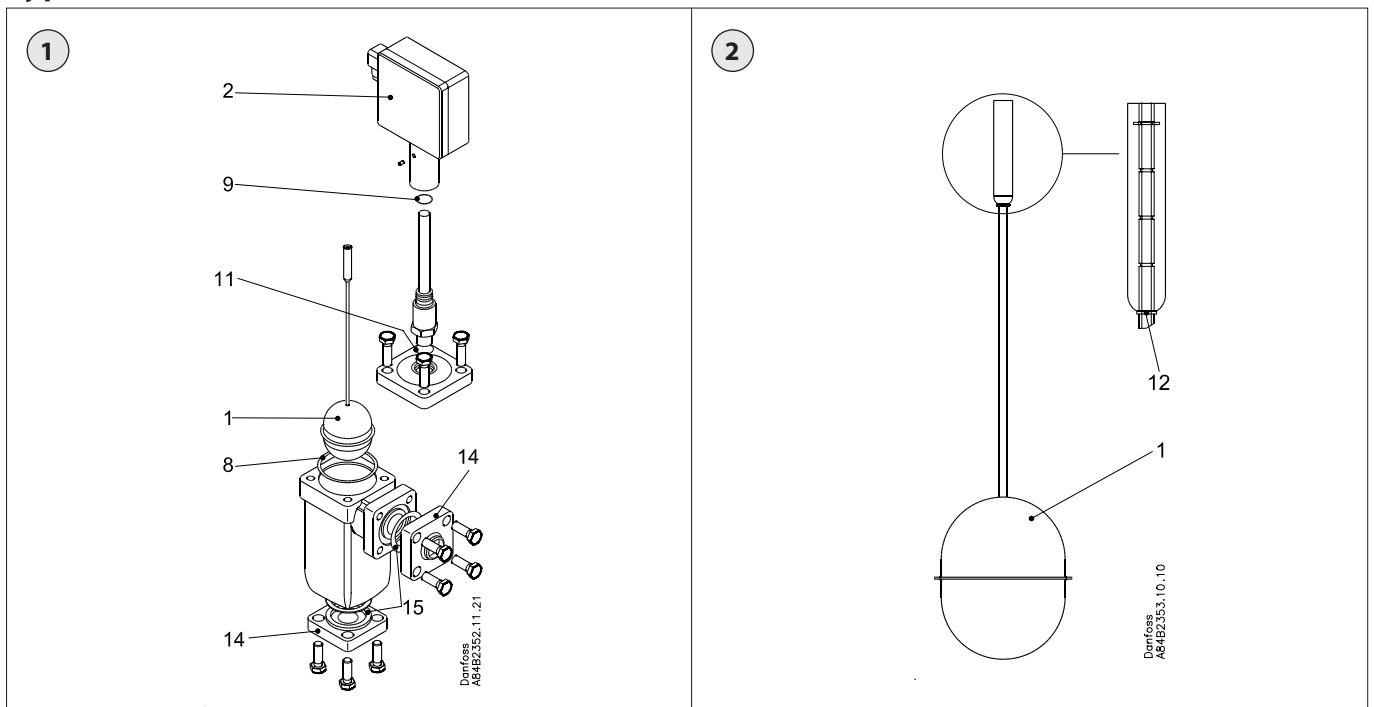


Data sheet – Spare parts and accessories

**Liquid level switch**  
**Type AKS 38**



| Description                                       | Pos. # | Qty. | Code no. |
|---|--------|------|----------|
| <b>Electrical switch box, fig. 1</b>              |        |      |          |
| Switch box  | 2      | 1    | 148H3202 |
| <b>Internal float assembly, fig. 1 and Fig. 2</b> |        |      |          |
| Internal float assembly                           | 1      | 1    | 148H3203 |
| Locking ring for internal float                   | 12     | 2    |          |
| <b>Repair kit, fig. 1 and Fig. 2</b>              |        |      |          |
| Top cover gasket                                  | 8      | 1    | 148H3200 |
| O-ring for pressure tube                          | 9      | 1    |          |
| Alu. gasket                                       | 11     | 1    |          |
| Flange gasket                                     | 15     | 2    |          |
| Locking ring for internal float                   | 12     | 2    |          |

| Description                              | Pos. # | Qty. | Code no. |
|--|--------|------|----------|
| <b>Flanges, fig. 1</b>                   |        |      |          |
| AKS 38 Butt Weld, DIN DN 25 (1 in.)      | 14     | 2    | 027N1026 |
| AKS 38 Butt Weld, ANSI DN 25 (1 in.)     | 14     | 2    | 027N2023 |
| AKS 38 Socket Weld, ANSI DN 20 (3/4 in.) | 14     | 2    | 027N2012 |
| KS 38 Socket Weld, ANSI DN 25 (1 in.)    | 14     | 2    | 027N2013 |
| AKS 38 FPT, NPT DN 20 (3/4 in.)          | 14     | 2    | 027G1007 |

Please observe:  
Same flanges as for NRVA 25 and NRVA 32