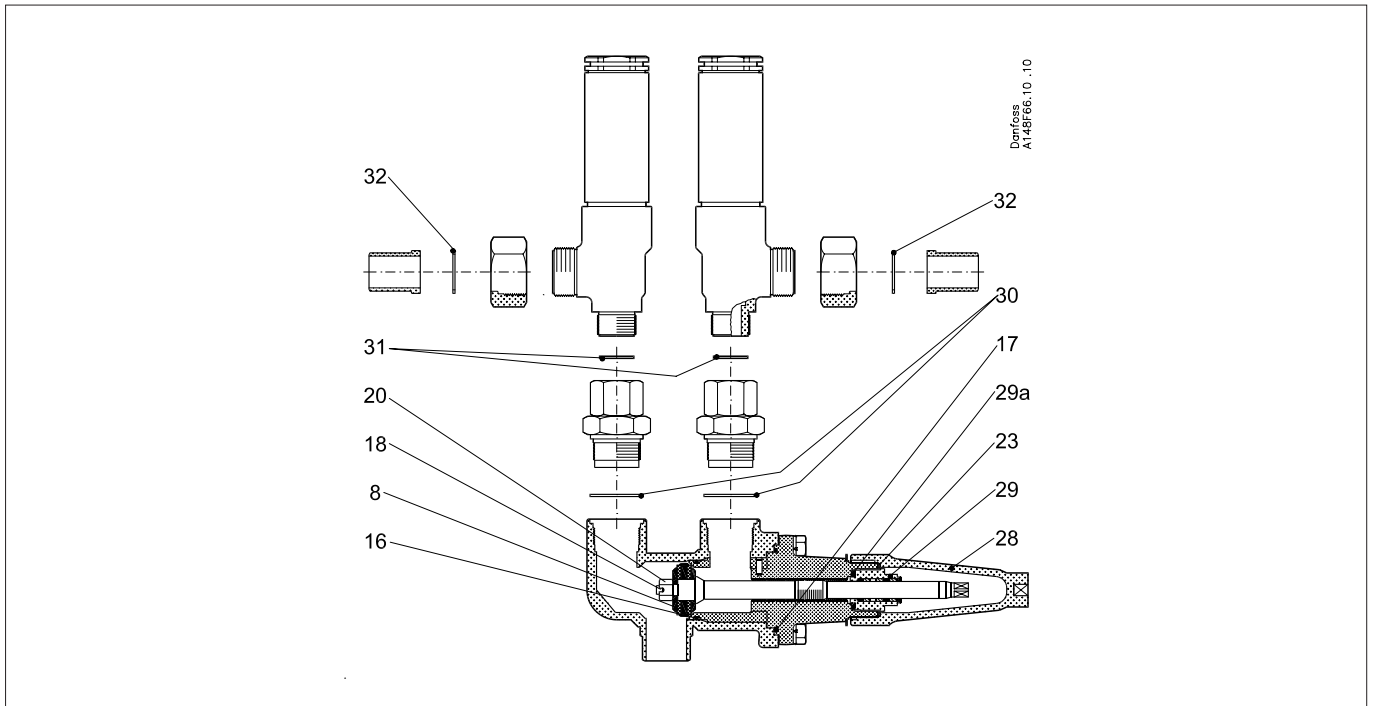


Data sheet – Spare parts and accessories

**Change-over valve  
Type DSV 1, size 25 (1 in.)**



Description	Pos. #	Qty.	Code no.
<b>Spare part kit, for bonnet and cap (installation kit)</b>			
O-ring for seat	16	1	<b>148F3022</b>
O-ring for housing/bonnet	17	1	
Gasket for cap	23	1	

<b>Dismounting kit</b>			
Gasket for reducer SFV 15/DSV 1	30	1	<b>148F3029</b>
Gasket for reducer SFV 15/DSV 1	31	1	
Gasket for nipple SFV 15/DSV 1	32	1	

<b>Repair kit, complete set of gaskets</b>			
Gasket for cone	8	1	<b>148F3024</b>
O-ring for seat	16	1	
O-ring for housing/bonnet	17	1	
Lock pin	18	1	
Slotted nut	20	1	
Gasket for cap	23	1	
Gaskets complete for packing gland	29a	1	
Gasket for reducer SFV 15/DSV 1	30	1	
Gasket for reducer SFV 15/DSV 1	31	1	
Gasket for nipple SFV 15/DSV 1	32	1	

Description	Pos. #	Qty.	Code no.
<b>Packing gland incl. gaskets (with O-rings)</b>			
Packing gland incl. gaskets	29	1	<b>148B4032</b>
<b>Cap incl. gasket</b>			
Cap incl. gasket	28	1	<b>148B4076</b>
<b>Grease</b>			
Grease for packing gland (tube)	-	1	<b>148H3445</b>