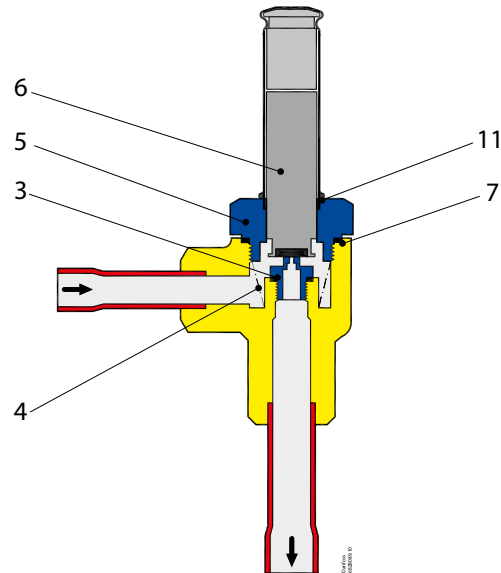


Spare parts and accessories

Electric expansion valves,
type AKV 10 and AKVH 10



Type	Pos.	Description	Qty.	Code no.
------	------	-------------	------	----------

Orifice kit

AKV 10 AKVH 10	3	Orifice no. 0	1	068F5283
	3	Orifice no. 1	1	
	3	Orifice no. 2	1	
	3	Orifice no. 3	1	
	7	Cu/Tn gasket	1	
	11	O-ring	1	

Orifice kit

AKV 10 AKVH 10	3	Orifice no. 4	1	068F5284
	3	Orifice no. 5	1	
	3	Orifice no. 6	1	
	7	Cu/Tn gasket	1	
	11	O-ring	1	

Orifice kit

AKV 10	3	Orifice no. 7	1	068F5285
	3	Orifice no. 8	1	
	7	Cu/Tn gasket	1	
	11	O-ring	1	

Type	Pos.	Description	Qty.	Code no.
------	------	-------------	------	----------

Filter

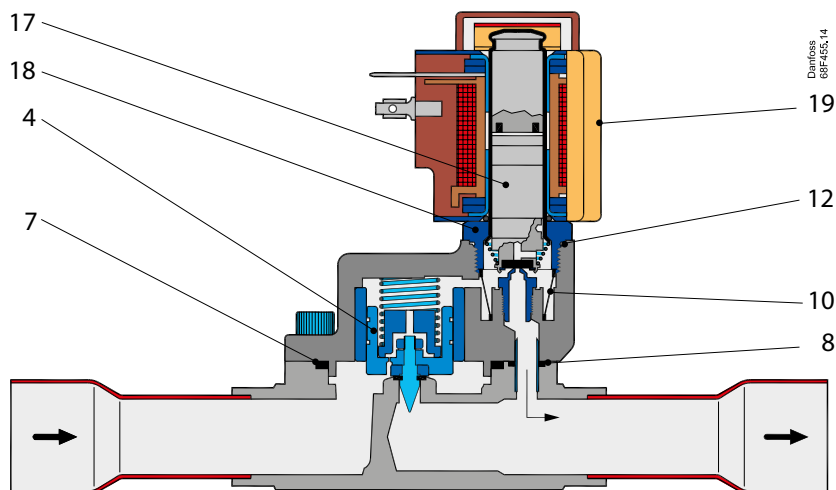
AKV 10	4	Filter	10	068F0540
AKVH 10	7	Alu gasket	10	

Armature kit

AKV 10 AKVH 10	5	Armature tube assembly	1	068F0541
	6	Armature	1	
	7	Cu/Tn gasket	1	

Spare parts and accessories

Electric expansion valves,
type AKV 15



Type	Pos.	Description	Qty.	Code no.
Piston kit				
AKV 15-1	4	Piston assembly	1	068F5265
	7	Square gasket, rubber	1	
	8	O-ring	1	
	19	Label	2	

Type	Pos.	Description	Qty.	Code no.
Piston kit				
AKV 15-2	4	Piston assembly	1	068F5266
	7	Square gasket, rubber	1	
	8	O-ring	1	
	19	Label	2	

Type	Pos.	Description	Qty.	Code no.
Piston kit				
AKV 15-3	4	Piston assembly	1	068F5267
	7	Square gasket, rubber	1	
	8	O-ring	1	
	19	Label	2	

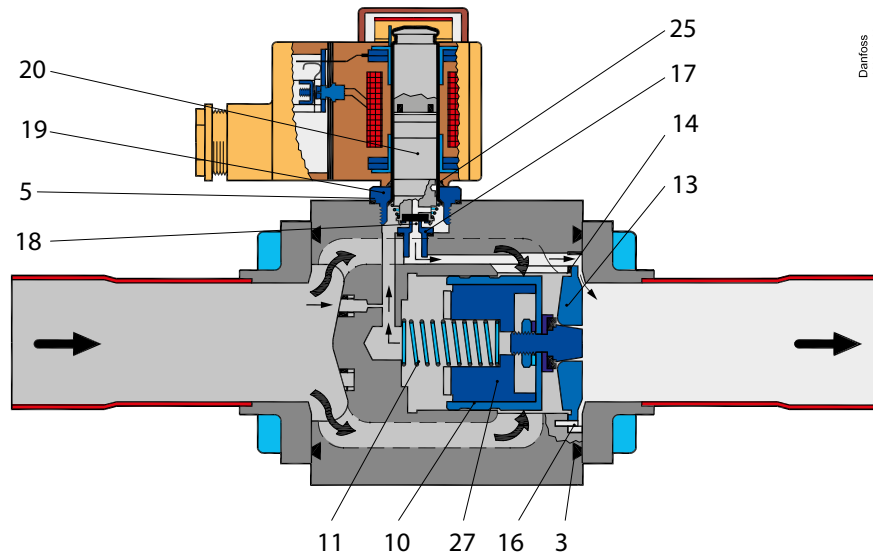
Type	Pos.	Description	Qty.	Code no.
Piston kit				
AKV 15-4	4	Piston assembly	1	068F5268
	7	Square gasket, rubber	1	
	8	O-ring	1	
	19	Label	2	

Type	Pos.	Description	Qty.	Code no.
Amature kit				
AKV 15	17	Armature	1	068F5045
	18	Armature tube assembly	1	
	12	Alu gasket	1	

Type	Pos.	Description	Qty.	Code no.
Filter				
AKV 15	10	Filter	10	068F0540
	12	Alu gasket	10	

Spare parts and accessories

Electric expansion valves,
type AKV 20



Danfoss
42H50.13

Type	Pos.	Description	Qty.	Code no.
Piston kit				
AKV 20-0.6	10	Piston assembly	1	042H2039
	11	Spring	1	
	27	Insert	1	
	14	O-ring	1	
	3	O-ring	2	
Piston kit				
AKV 20-1	10	Piston assembly	1	042H2040
	11	Spring	1	
	27	Insert	1	
	14	O-ring	1	
	3	O-ring	2	
Piston kit				
AKV 20-2	10	Piston assembly	1	042H2041
	11	Spring	1	
	27	Insert	1	
	14	O-ring	1	
	3	O-ring	2	
Piston kit				
AKV 20-3	10	Piston assembly	1	042H2042
	11	Spring	1	
	27	Insert	1	
	14	O-ring	1	
	3	O-ring	2	
Piston kit				
AKV 20-4	10	Piston assembly	1	042H2043
	11	Spring	1	
	27	Insert	1	
	14	O-ring	1	
	3	O-ring	2	
Piston kit				
AKV 20-5	10	Piston assembly	1	042H2044
	11	Spring	1	
	27	Insert	1	
	14	O-ring	1	
	3	O-ring	2	

Type	Pos.	Description	Qty.	Code no.
Orifice kit				
AKV 20-0.6, AKV 20-1, AKV 20-2, AKV 20-3	13	Main orifice, dia. 8 mm	1	068F5270
	18	Pilot orifice, dia. 1.2 mm	1	
	16	Pin	1	
	3	O-ring	2	
	14	O-ring	1	
	5	Alu gasket	2	
	17	Alu gasket	1	
Orifice kit				
AKV 20-4, AKV 20-5	13	Main orifice, dia. 14 mm	1	068F5271
	18	Pilot orifice, dia. 2.4 mm	1	
	16	Pin	1	
	3	O-ring	2	
	14	O-ring	1	
	5	Alu gasket	2	
Gasket kit				
AKV 20	3	O-ring	2	042H0160
	14	O-ring	1	
	16	Pin	1	
	25	O-ring	1	
	5	Alu gasket	2	
	17	Alu gasket	1	
Armature kit				
AKV 20	20	Armature	1	068F5045
	19	Armature tube assembly	1	
	5	Alu gasket	1	