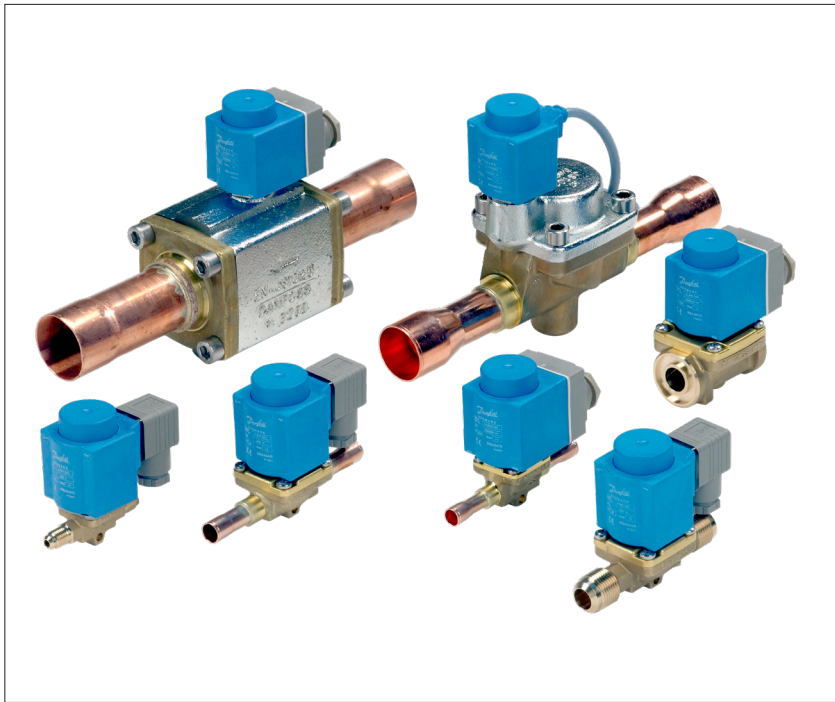


Data sheet - Spare parts and accessories

Solenoid valve

Types EVR 2 - EVR 40 (Version 1 and Version 2)



EVR spare parts are categorized to 4 types of kits to renovate the valves with least expense and most accuracy.

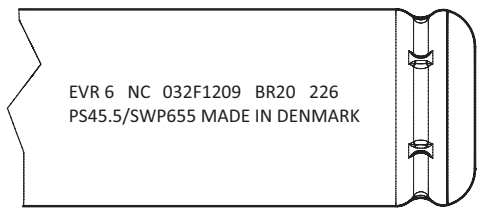
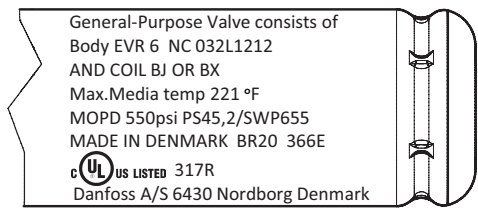
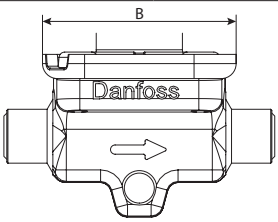
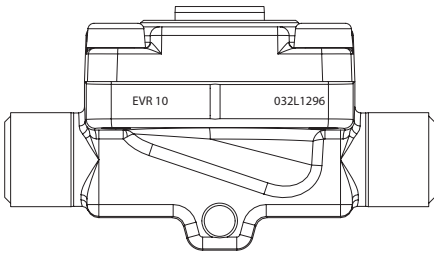
This data sheet cover spare parts and accessories for both EVR Version 1 and EVR Version 2.

- **Seal kit**
consists of all the sealing parts of the corresponding valves
- **Service kit**
consists of all the replaceable function parts of the corresponding diaphragm valves
- **Piston service kit**
consists of piston related function parts; only for piston valves
- **Pilot service kit**
consists of pilot related function parts only for piston valves

Table of contents

| | |
|--|----|
| How to identify the version of the EVR solenoid valve..... | 2 |
| Spare part overview | 2 |
| EVR version 1 | |
| EVR 2 - EVR 3 | 3 |
| EVR 4 - EVR 6 - EVR 8 | 4 |
| EVR 10 | 5 |
| EVR 15 - EVR 18 | 6 |
| EVR 20 - EVR 22 | 8 |
| EVR 25 | 10 |
| EVR 32 - EVR 40 | 11 |
| EVRC | 12 |
| EVRH 10 - EVRH 20..... | 13 |
| EVRH 25 | 14 |
| EVR version 2 | |
| EVR 2 - EVR 3 | 17 |
| EVR 4 - EVR 6 - EVR 8 | 18 |
| EVR 10 | 19 |
| EVR 15 - EVR 18 | 20 |
| EVR 20 - EVR 22 | 21 |
| EVR 25 | 22 |
| EVR 32 | 24 |
| EVR 40 | 26 |

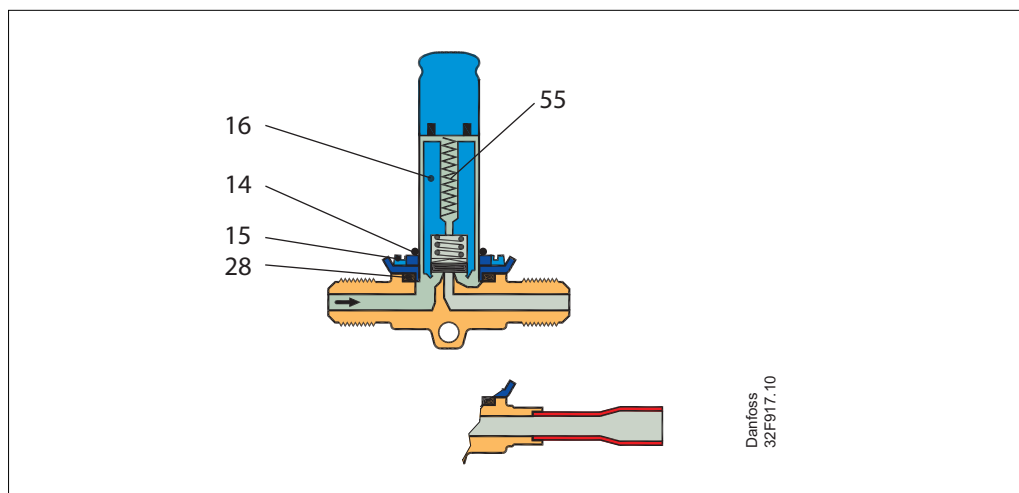
How to identify the version of the EVR solenoid valve

| | EVR version 1 | EVR version 2 | | | | | | | | | | | | | | | | |
|------------------------------|--|--|--------|----------------------|----|------------------------------|----|---------------|----|------------------------|----|------------------------|----|---------------|----|------------------------|-----|--|
| Product name | EVR, EVRE, EVRH, EVRC | EVR, EVRC | | | | | | | | | | | | | | | | |
| Code number | 032F.., 032G.., 042H.. | 032L.. | | | | | | | | | | | | | | | | |
| ID marking on armature |  |  | | | | | | | | | | | | | | | | |
| ID marking on housing |  <table border="1" data-bbox="456 1626 951 1890"> <thead> <tr> <th>Type</th> <th>B [mm]</th> </tr> </thead> <tbody> <tr> <td>EVR 2 - EVR 3</td> <td>34</td> </tr> <tr> <td>EVR 4 - EVR 6 - EVR 8</td> <td>34</td> </tr> <tr> <td>EVR 10</td> <td>44</td> </tr> <tr> <td>EVR 15 - EVR 18</td> <td>53</td> </tr> <tr> <td>EVR 20 - EVR 22</td> <td>70</td> </tr> <tr> <td>EVR 25</td> <td>82</td> </tr> <tr> <td>EVR 32 - EVR 40</td> <td>104</td> </tr> </tbody> </table> | Type | B [mm] | EVR 2 - EVR 3 | 34 | EVR 4 - EVR 6 - EVR 8 | 34 | EVR 10 | 44 | EVR 15 - EVR 18 | 53 | EVR 20 - EVR 22 | 70 | EVR 25 | 82 | EVR 32 - EVR 40 | 104 |  <p>Laser marking on valve body, sizes EVR 2 - EVR 22: EVR + size + code number.</p> |
| Type | B [mm] | | | | | | | | | | | | | | | | | |
| EVR 2 - EVR 3 | 34 | | | | | | | | | | | | | | | | | |
| EVR 4 - EVR 6 - EVR 8 | 34 | | | | | | | | | | | | | | | | | |
| EVR 10 | 44 | | | | | | | | | | | | | | | | | |
| EVR 15 - EVR 18 | 53 | | | | | | | | | | | | | | | | | |
| EVR 20 - EVR 22 | 70 | | | | | | | | | | | | | | | | | |
| EVR 25 | 82 | | | | | | | | | | | | | | | | | |
| EVR 32 - EVR 40 | 104 | | | | | | | | | | | | | | | | | |

Spare part overview

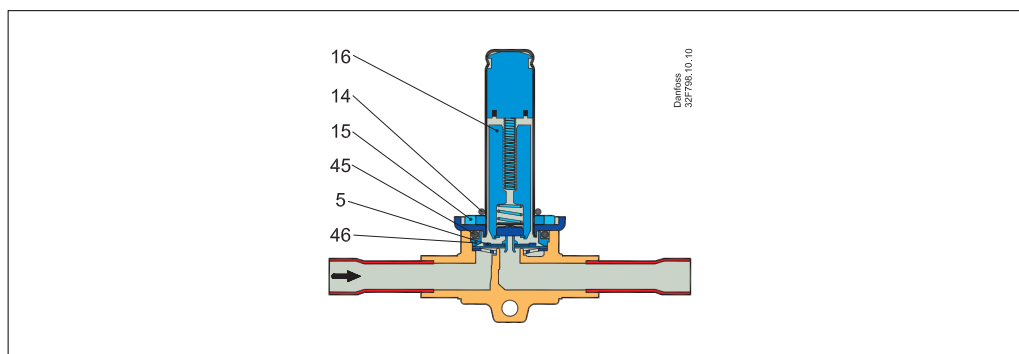
| EVR size | EVR version 1 | EVR version 2 | Description |
|------------------------|----------------|---------------|--|
| EVR 2 - EVR 3 | 032F.. | | EVR 2 - EVR 3 spare part kits remain unchanged |
| EVR 4 - EVR 22 | 032F.., 032G.. | 032L.. | EVR 4 - EVR 22 use new specialized spare part kits |
| EVR 25 - EVR 40 | 032F.., 042H.. | | EVR 25 - EVR 40 spare part kits remain unchanged |

EVR 2 - EVR 3 (NC)
Version 1



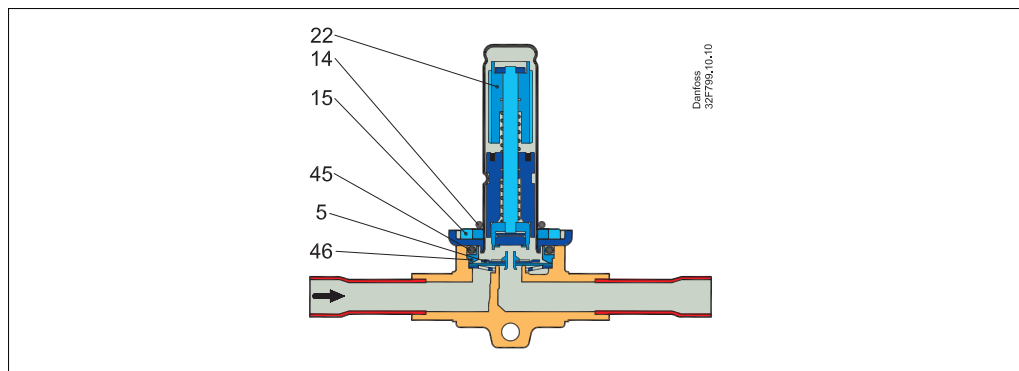
| Type | Description | Pos. # | Qty. | Code no. |
|-------------------------|-------------------|--------|------|-----------------|
| Service kit (AC) | | | | |
| EVR 2 and 3 (NC) | O-ring | 14 | 1 | 032F0181 |
| | Screw | 15 | 4 | |
| | Armature assembly | 16 | 1 | |
| | Rubber gasket | 28 | 1 | |
| | Compress spring | 55 | 1 | |

**EVR 4 - EVR 6 - EVR 8 (NC)
Version 1**



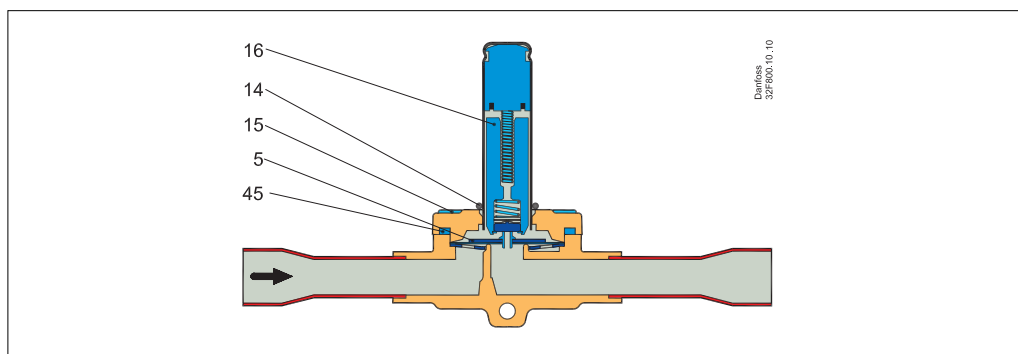
| Type | Description | Pos. # | Qty. | Code no. |
|-----------------------------|--------------------------|--------|------|-----------------|
| Seal kit | | | | |
| EVR 4, 6, and 8 (NC) | O-ring for armature tube | 14 | 1 | 032F8165 |
| | Rubber gasket | 45 | 1 | |
| | O-ring for steel cover | 45 | 1 | |
| | Support ring | 46 | 1 | |
| Service kit (AC) | | | | |
| EVR 4, 6, and 8 (NC) | Diaphragm assembly | 5 | 1 | 032F8166 |
| | O-ring for armature tube | 14 | 1 | |
| | Screw T20 | 15 | 4 | |
| | Screw T15 | 15 | 4 | |
| | Armature assembly | 16 | 1 | |
| | Rubber gasket | 45 | 1 | |
| | O-ring for steel cover | 45 | 1 | |
| | Support ring | 46 | 1 | |
| | Compress spring | 55 | 1 | |

**EVR 6 - EVR 8 (NO)
Version 1**



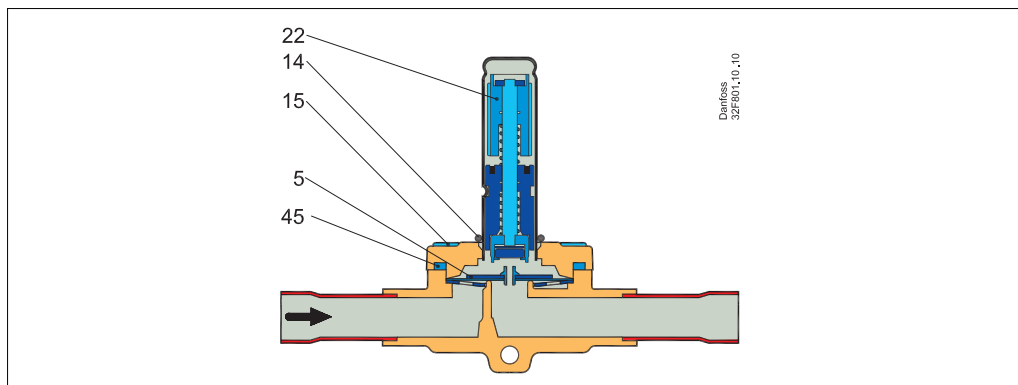
| Type | Description | Pos. # | Qty. | Code no. |
|---|--------------------------|--------|------|-----------------|
| Seal kit | | | | |
| EVR 6 and 8 (NO) | O-ring for armature tube | 14 | 1 | 032F8165 |
| | Rubber gasket | 45 | 1 | |
| | O-ring for steel cover | 45 | 1 | |
| | Support ring | 46 | 1 | |
| Service kit - Steel cover design | | | | |
| EVR 6 and 8 (NO) | Diaphragm assembly | 5 | 1 | 032F8167 |
| | O-ring | 14 | 1 | |
| | Screw | 15 | 4 | |
| | Armature assembly (NO) | 22 | 1 | |
| | O-ring | 45 | 1 | |
| | Support ring | 46 | 1 | |

**EVR 10 (NC)
Version 1**



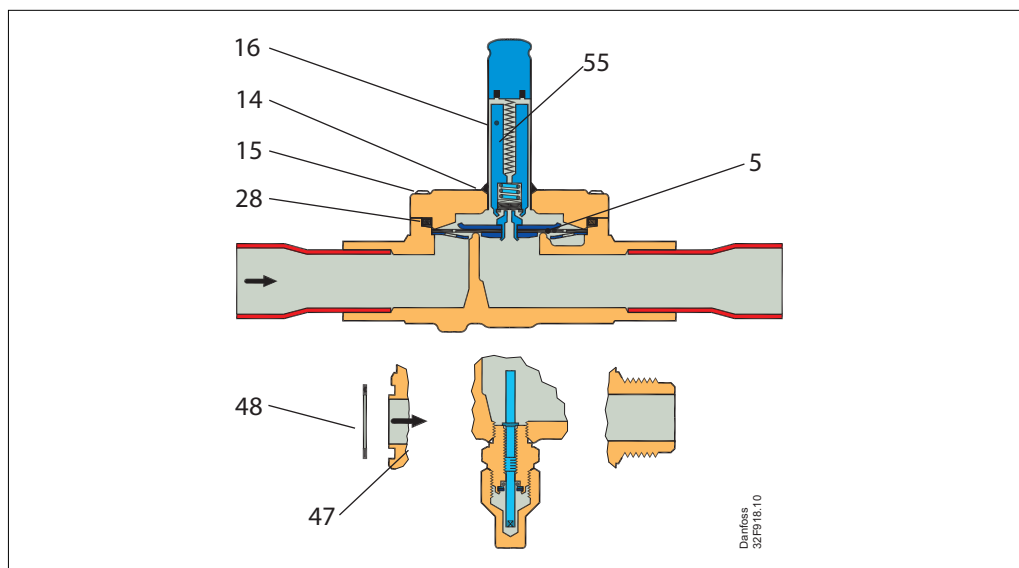
| Type | Description | Pos. # | Qty. | Code no. |
|-------------------------|-----------------------|--------|------|----------|
| Seal kit | | | | |
| EVR 10 (NC) | O-ring, Armature tube | 14 | 1 | 032F8196 |
| | Rubber gasket | 45 | 1 | |
| Service kit (AC) | | | | |
| EVR 10 (NC) | Diaphragm assembly | 5 | 1 | 032F0185 |
| | O-ring | 14 | 1 | |
| | Screw | 15 | 4 | |
| | Armature assembly | 16 | 1 | |
| | Rubber gasket | 45 | 1 | |
| | Compress spring | 55 | 1 | |

**EVR 10 (NO)
Version 1**



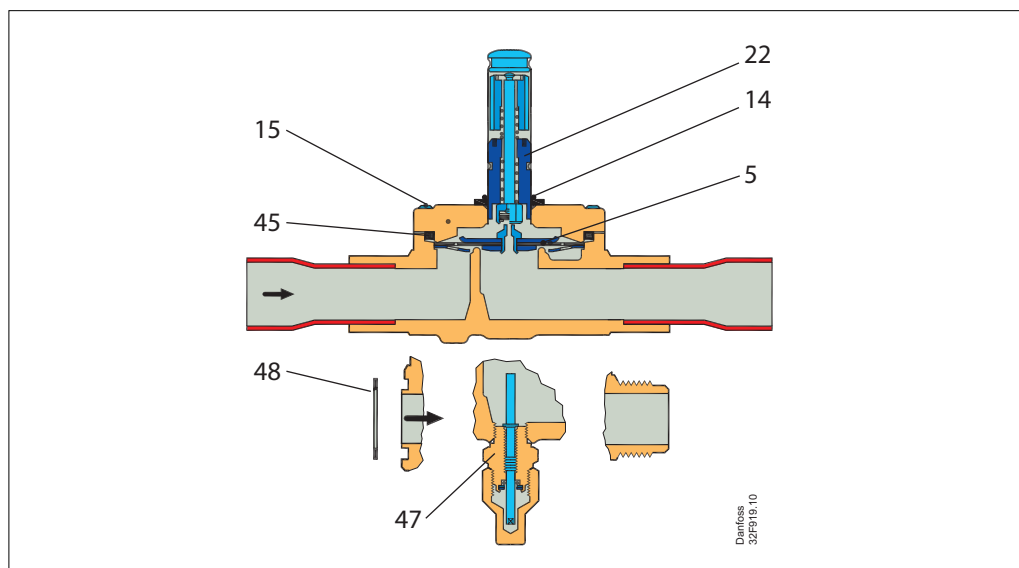
| Type | Description | Pos. # | Qty. | Code no. |
|-------------------------|------------------------|--------|------|----------|
| Seal kit | | | | |
| EVR 10 (NO) | O-ring, Armature tube | 14 | 1 | 032F8196 |
| | Rubber gasket | 45 | 1 | |
| Service kit (AC) | | | | |
| EVR 10 (NO) | Diaphragm assembly | 5 | 1 | 032F0186 |
| | O-ring | 14 | 1 | |
| | Screw | 15 | 4 | |
| | Armature assembly (NO) | 22 | 1 | |
| | Rubber gasket | 45 | 1 | |

EVR 15 - EVR 18 (NC)
Version 1



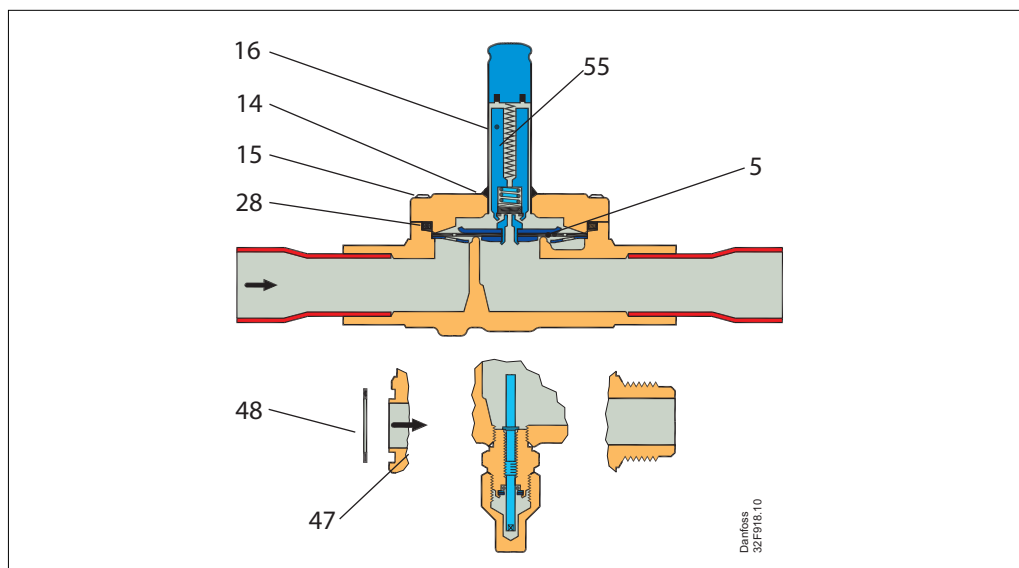
| Type | Description | Pos. # | Qty. | Code no. |
|---------------------------|---|--------|------|-----------------|
| Seal kit | | | | |
| EVR 15 and 20 (NC) | O-ring for armature tube | 14 | 1 | 032F8196 |
| | Rubber gasket (EVR 15) | 28 | 1 | |
| | Rubber gasket (EVR 20) | 28 | 1 | |
| | Packing (refrigeration gasket) (EVR 20) | 48 | 2 | |
| | Refrigeration gasket (EVR 15) | 48 | 2 | |
| Service kit | | | | |
| EVR 15 and 18 (NC) | Diaphragm assembly | 5 | 1 | 032F0187 |
| | O-ring | 14 | 1 | |
| | Screw | 15 | 4 | |
| | Armature assembly | 16 | 1 | |
| | Rubber gasket | 28 | 1 | |
| | Refrigeration gasket | 48 | 2 | |
| | Compress spring | 55 | 1 | |

EVR 15 - EVR 18 (NO)
Version 1



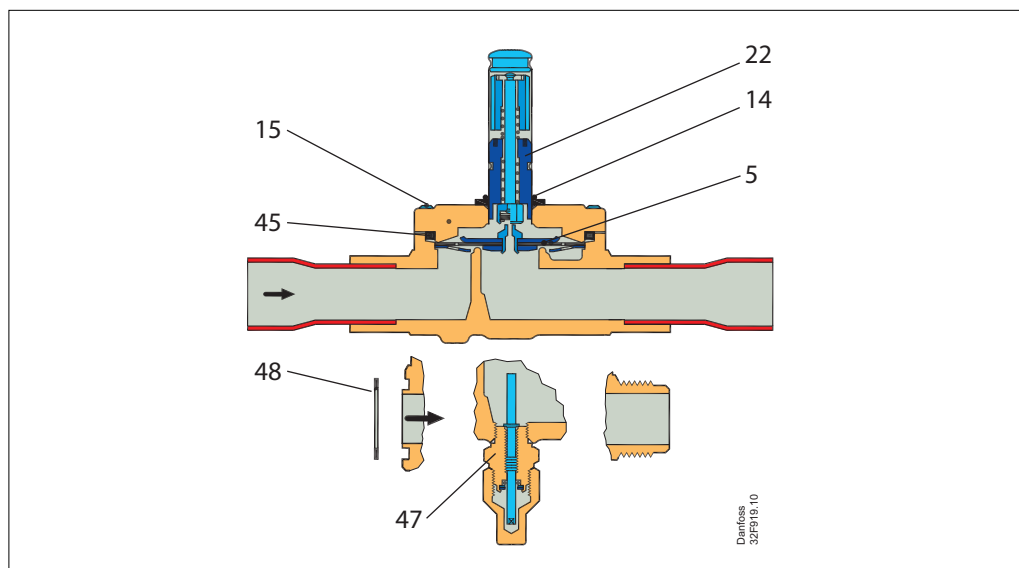
| Type | Description | Pos. # | Qty. | Code no. |
|---------------------------|---|--------|------|-----------------|
| Seal kit | | | | |
| EVR 15 and 20 (NO) | O-ring for armature tube | 14 | 1 | 032F8196 |
| | Rubber gasket (EVR 15) | 45 | 1 | |
| | Rubber gasket (EVR 20) | 45 | 1 | |
| | Packing (refrigeration gasket) (EVR 20) | 48 | 2 | |
| | Refrigeration gasket (EVR 15) | 48 | 2 | |
| Service kit | | | | |
| EVR 15 and 18 (NO) | Diaphragm assembly | 5 | 1 | 032F0188 |
| | O-ring | 14 | 1 | |
| | Screw | 15 | 4 | |
| | Armature assembly (NO) | 22 | 1 | |
| | Rubber gasket | 45 | 1 | |
| | Refrigeration gasket | 48 | 1 | |

EVR 20 - EVR 22 (NC)
Version 1



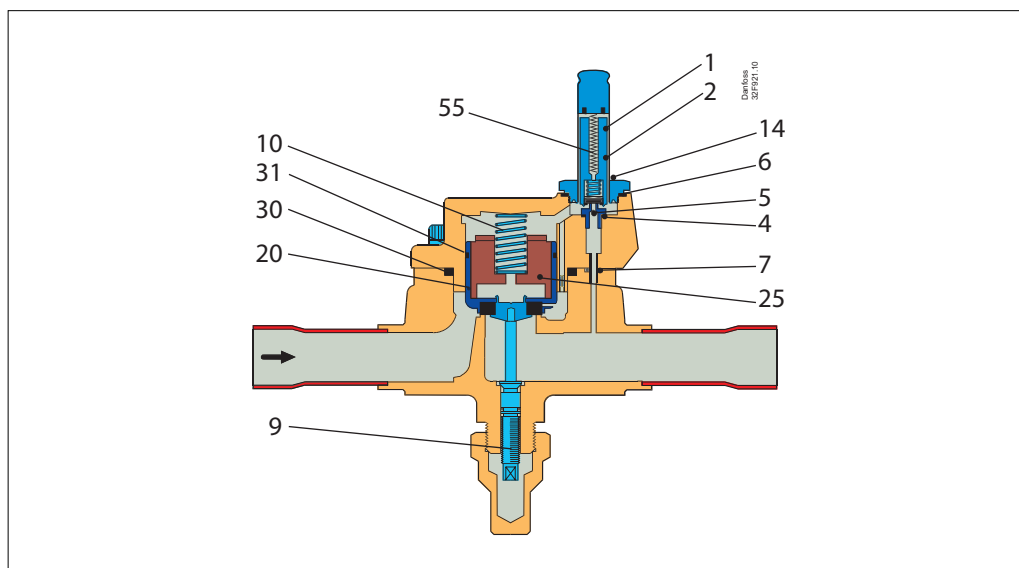
| Type | Description | Pos. # | Qty. | Code no. |
|-------------------------|---|--------|------|----------|
| Seal kit | | | | |
| EVR 20 and 22 (NC) | O-ring for armature tube | 14 | 1 | 032F8196 |
| | Rubber gasket (EVR 20 - EVR 22) | 28 | 1 | |
| | Packing (refrigeration gasket) (EVR 20) | 48 | 2 | |
| Service kit (AC) | | | | |
| EVR 20 and 22 (NC) | Diaphragm assembly | 5 | 1 | 032F0189 |
| | O-ring | 14 | 1 | |
| | Screw | 15 | 4 | |
| | Armature assembly | 16 | 1 | |
| | Rubber gasket | 28 | 1 | |
| | Refrigeration gasket | 48 | 1 | |
| | Compress spring | 55 | 1 | |
| Service kit (DC) | | | | |
| EVR 20 and 22 (NC) | Diaphragm assembly | 5 | 1 | 032F0191 |
| | O-ring | 14 | 1 | |
| | Screw | 15 | 4 | |
| | Armature assembly | 16 | 1 | |
| | Rubber gasket | 28 | 1 | |
| | Refrigeration gasket | 48 | 1 | |
| | Compress spring | 55 | 1 | |
| Manual spindle | | | | |
| EVR 20 and 22 (NC) | Spindle assembly | 47 | 1 | 032F0193 |

EVR 20 - EVR 22 (NO)
Version 1



| Type | Description | Pos. # | Qty. | Code no. |
|---------------------------|---|--------|------|-----------------|
| Seal kit | | | | |
| EVR 20 and 22 (NO) | O-ring for armature tube | 14 | 1 | 032F8196 |
| | Rubber gasket (EVR 20) | 45 | 1 | |
| | Packing (refrigeration gasket) (EVR 20) | 48 | 2 | |
| Service kit | | | | |
| EVR 20 and 22 (NO) | Diaphragm assembly | 5 | 1 | 032F0182 |
| | O-ring | 14 | 1 | |
| | Screw | 15 | 4 | |
| | Armature unit assembly (NO) | 22 | 1 | |
| | Rubber gasket | 45 | 1 | |
| | Refrigeration gasket | 48 | 2 | |
| Manual spindle | | | | |
| EVR 20 and 22 (NO) | Spindle assembly | 47 | 1 | 032F0193 |

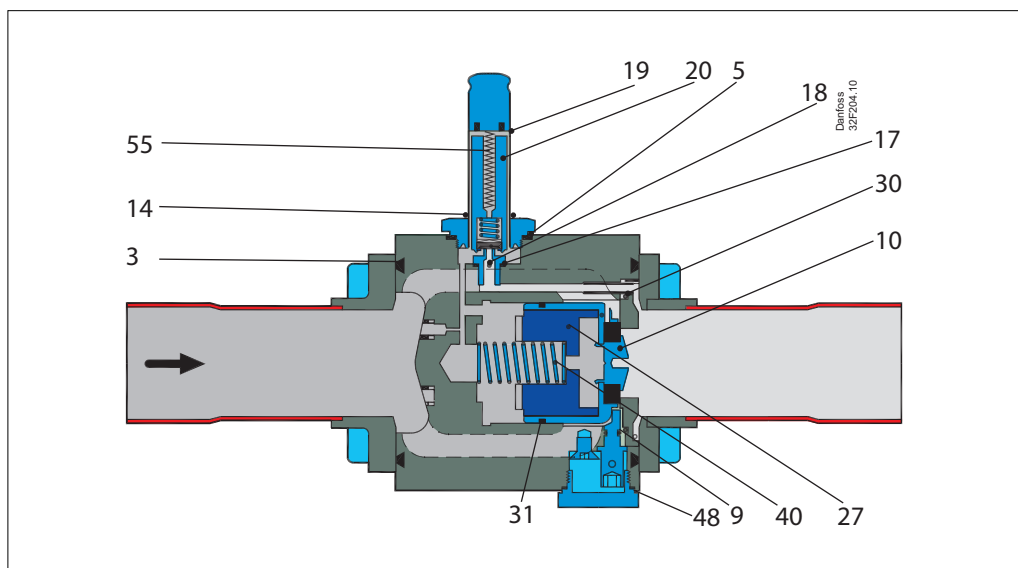
EVR 25 (NC)
Version 1



| Type | Description | Pos. # | Qty. | Code no. |
|---------------------------|--------------------|--------|------|-----------------|
| Seal kit | | | | |
| EVR 25 (NC) | Al. gasket | 4 | 1 | 032F2326 |
| | Al. gasket | 6 | 1 | |
| | O-ring | 7 | 1 | |
| | O-ring | 9 | 1 | |
| | Rubber gasket | 30 | 1 | |
| Piston service kit | | | | |
| EVR 25 (NC) | O-ring | 7 | 1 | 032F3236 |
| | Compression spring | 10 | 1 | |
| | O-ring | 14 | 1 | |
| | Piston assembly | 20 | 1 | |
| | Insert block | 25 | 1 | |
| | Rubber gasket | 30 | 1 | |
| Piston ring | 31 | 1 | | |
| Pilot service kit | | | | |
| EVR 25 (NC) | Armature assembly | 1 | 1 | 042H0165 |
| | Armature tube | 2 | 1 | |
| | Al. gasket | 4 | 1 | |
| | Nozzle | 5 | 1 | |
| | Al. gasket | 6 | 1 | |
| | O-ring | 14 | 1 | |
| | Compression spring | 55 | 1 | |

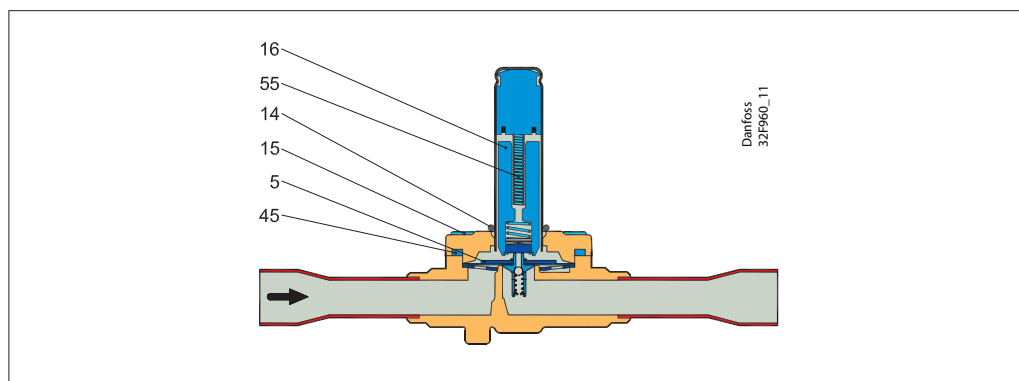
Note!
All code nos. are valid for EVR 25 with stainless steel piston as well as for EVR 25 with cast iron piston.

EVR 32 - EVR 40 (NC)
Version 1



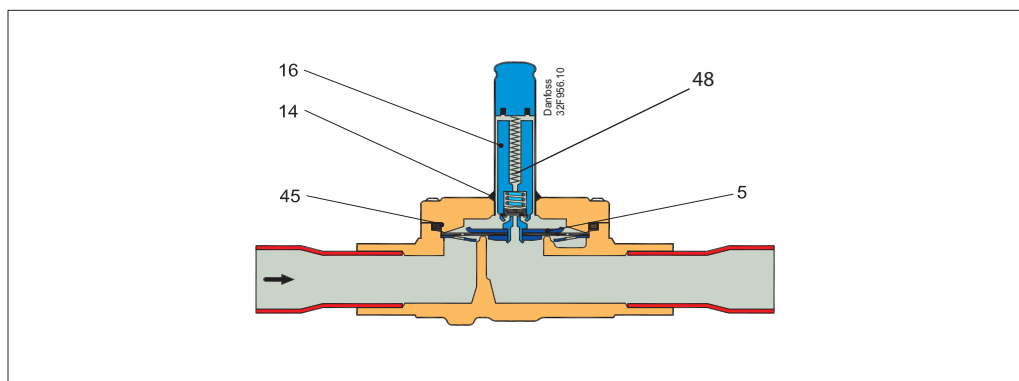
| Type | Description | Pos. # | Qty. | Code no. |
|-----------------------------|--------------------|--------|------|-----------------|
| Seal kit | | | | |
| EVR 32 - EVR 40 (NC) | O-ring | 3 | 2 | 032F2327 |
| | Al. gasket | 5 | 1 | |
| | O-ring | 9 | 1 | |
| | O-ring | 14 | 1 | |
| | Al. gasket | 17 | 1 | |
| Piston service kit | | | | |
| EVR 32 - EVR 40 (NC) | O-ring | 3 | 2 | 042H0172 |
| | Al. gasket | 5 | 1 | |
| | O-ring | 9 | 1 | |
| | Piston assembly | 10 | 1 | |
| | O-ring | 14 | 1 | |
| | Insert block | 27 | 1 | |
| | O-ring | 30 | 1 | |
| | Piston ring | 31 | 1 | |
| | Compression spring | 40 | 1 | |
| Refrigeration gasket | 48 | 1 | | |
| Pilot service kit | | | | |
| EVR 32 - EVR 40 (NC) | Al. gasket | 5 | 1 | 042H0165 |
| | O-ring | 14 | 1 | |
| | Al. gasket | 17 | 1 | |
| | Orifice | 18 | 1 | |
| | Armature tube | 19 | 1 | |
| | Armature assembly | 20 | 1 | |
| | Compression spring | 55 | 1 | |

EVRC 20 (NC)
Version 1



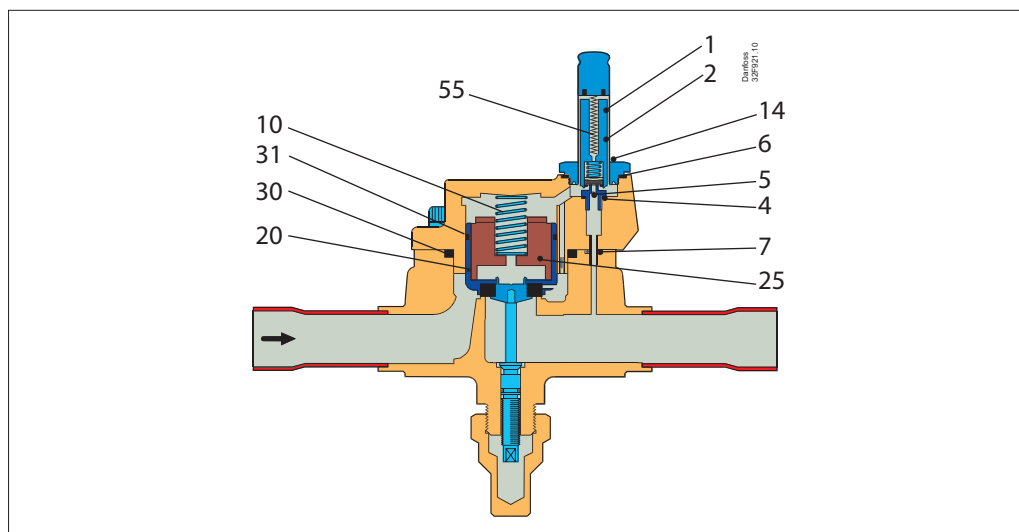
| Type | Description | Pos. # | Qty. | Code no. |
|---------------------|--------------------|--------|------|-----------------|
| Service kit | | | | |
| EVRC 20 (NC) | Diaphragm assembly | 5 | 1 | 032F0296 |
| | O-ring | 14 | 1 | |
| | Screw | 15 | 4 | |
| | Armature assembly | 16 | 1 | |
| | Rubber gasket | 45 | 1 | |
| | Compression spring | 55 | 1 | |

EVRH 10 - EVR 20 (NC)
Version 1



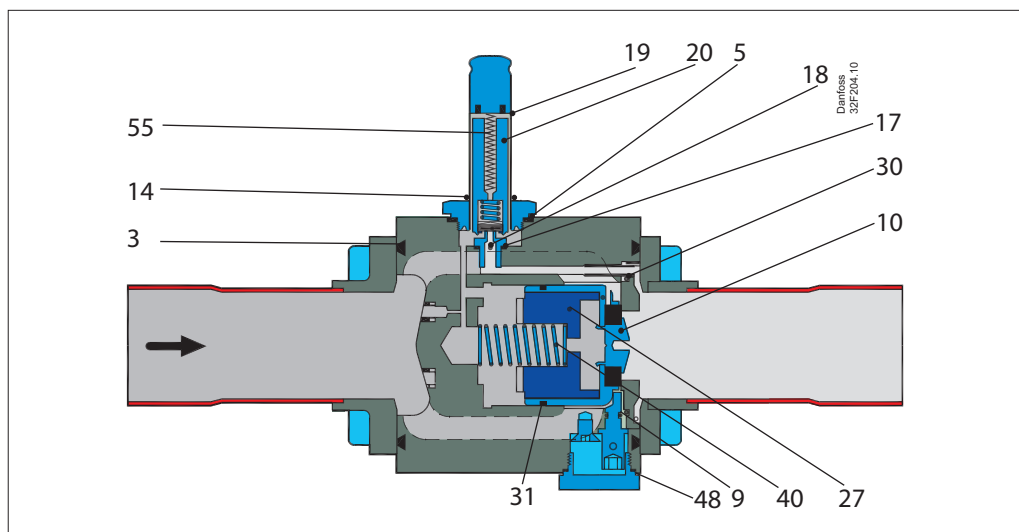
| Type | Description | Pos. # | Qty. | Code no. |
|--------------------------|--|--------|------|-----------------|
| Seal kit | | | | |
| EVRH 10 – 20 (NC) | Packing (refrigeration gasket) (EVRH 20) | - | 2 | 032F8196 |
| | Refrigeration gasket (EVRH 15) | - | 2 | |
| | O-ring, Armature tube | 14 | 1 | |
| | Rubber gasket (EVRH 10) | 45 | 1 | |
| | Rubber gasket (EVRH 15-18) | 45 | 1 | |
| | Rubber gasket (EVRH 20) | 45 | 1 | |
| Service kit | | | | |
| EVRH 10 – 20 (NC) | Diaphragm assembly (EVRH 6) | 5 | 1 | 032G1090 |
| | Diaphragm assembly (EVRH 10) | 5 | 1 | |
| | Diaphragm assembly (EVRH 15) | 5 | 1 | |
| | Diaphragm assembly (EVRH 20) | 5 | 1 | |
| | O-ring | 14 | 1 | |
| | Armature assembly (Teflon) | 46 | 1 | |
| | Rubber gaskets (EVRH 6) | 45 | 1 | |
| | Rubber gaskets (EVRH 10) | 45 | 1 | |
| | Rubber gaskets (EVRH 15) | 45 | 1 | |
| | Rubber gaskets (EVRH 20) | 45 | 1 | |

EVRH 25 (NC)
Version 1



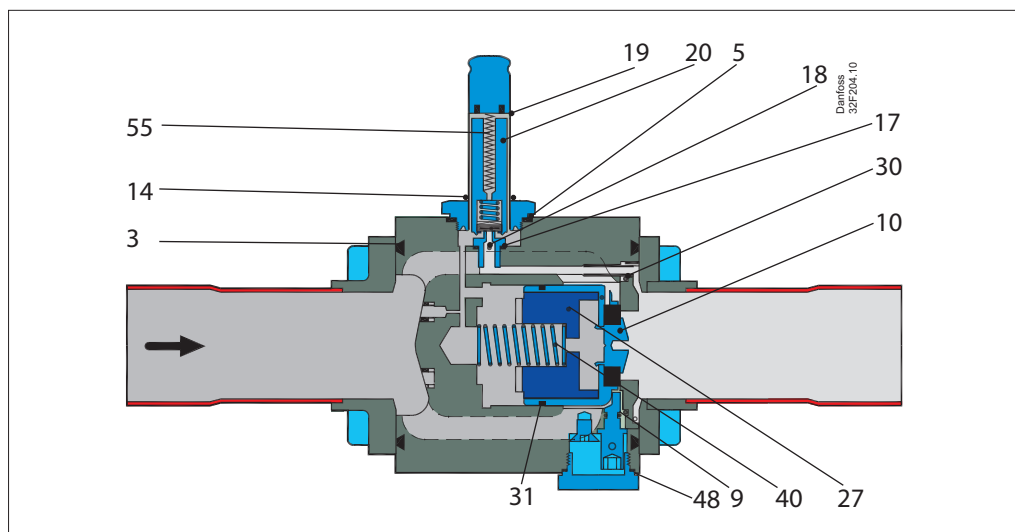
| Type | Description | Pos. # | Qty. | Code no. |
|---------------------------|--------------------|--------|------|-----------------|
| Seal kit | | | | |
| EVRH 25 (NC) | Al. gasket | 4 | 1 | 032F2326 |
| | Al. gasket | 6 | 1 | |
| | O-ring | 7 | 1 | |
| | O-ring | 14 | 1 | |
| | Rubber gasket | 30 | 1 | |
| Piston service kit | | | | |
| EVRH 25 (NC) | O-ring | 7 | 1 | 032F3236 |
| | Compression spring | 10 | 1 | |
| | O-ring | 14 | 1 | |
| | Piston assembly | 20 | 1 | |
| | Insert block | 25 | 1 | |
| | Rubber gasket | 30 | 1 | |
| | Piston ring | 31 | 1 | |
| Pilot service kit | | | | |
| EVRH 25 (NC) | Armature assembly | 1 | 1 | 042H0165 |
| | Armature tube | 2 | 1 | |
| | Al. gasket | 4 | 1 | |
| | Nozzle | 5 | 1 | |
| | Al. gasket | 6 | 1 | |
| | O-ring | 14 | 1 | |
| | Compression spring | 55 | 1 | |

EVRH 32 (NC)
with cast iron piston and
piston ring
Version 1



| Type | Description | Pos. # | Qty. | Code no. |
|---------------------------|--------------------|--------|------|-----------------|
| Seal kit | | | | |
| EVRH 32 (NC) | O-ring | 3 | 2 | 032F2327 |
| | Al. gasket | 5 | 1 | |
| | O-ring | 9 | 1 | |
| | O-ring | 14 | 1 | |
| | Al. gasket | 17 | 1 | |
| Piston service kit | | | | |
| EVRH 32 (NC) | O-ring | 3 | 2 | 042H0172 |
| | Al. gasket | 5 | 1 | |
| | O-ring | 9 | 1 | |
| | Piston assembly | 10 | 1 | |
| | O-ring | 14 | 1 | |
| | Insert block | 27 | 1 | |
| | O-ring | 30 | 1 | |
| | Piston ring | 31 | 1 | |
| | Compression spring | 40 | 1 | |
| Refrigeration gasket | 48 | 1 | | |
| Pilot service kit | | | | |
| EVRH 32 (NC) | Al. gasket | 5 | 1 | 042H0165 |
| | O-ring | 14 | 1 | |
| | Al. gasket | 17 | 1 | |
| | Orifice | 18 | 1 | |
| | Armature tube | 19 | 1 | |
| | Armature assembly | 20 | 1 | |
| | Compression spring | 55 | 1 | |

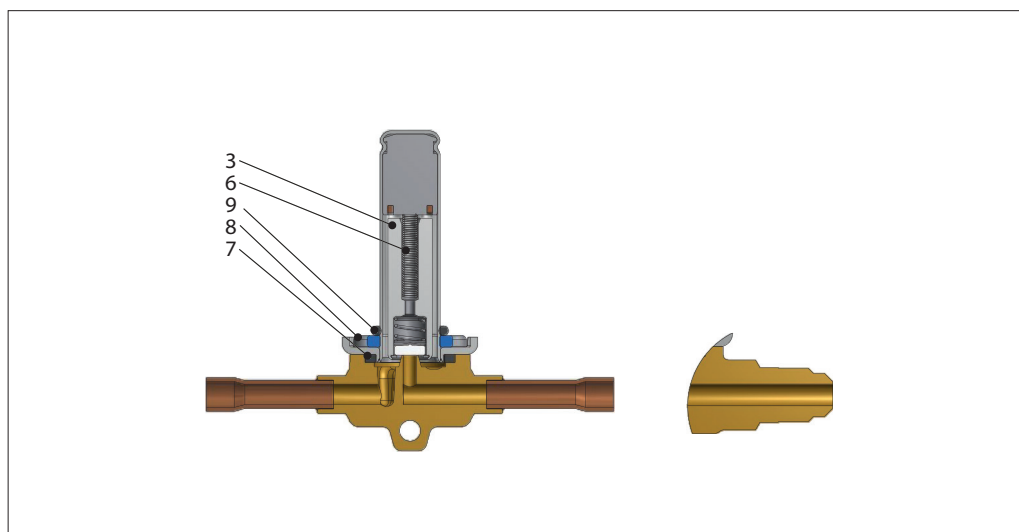
EVRH 40 (NC)
with cast iron piston and
piston ring
Version 1



| Type | Description | Pos. # | Qty. | Code no. |
|---------------------------|--------------------|--------|------|----------|
| Seal kit | | | | |
| EVRH 40 (NC) | O-ring | 3 | 2 | 032F2327 |
| | Al. gasket | 5 | 1 | |
| | O-ring | 9 | 1 | |
| | O-ring | 14 | 1 | |
| | Al. gasket | 17 | 1 | |
| Piston service kit | | | | |
| EVRH 40 (NC) | O-ring | 3 | 2 | 042H0173 |
| | Al. gasket | 5 | 1 | |
| | O-ring | 9 | 1 | |
| | Piston assembly | 10 | 1 | |
| | O-ring | 14 | 1 | |
| | Insert block | 27 | 1 | |
| | O-ring | 30 | 1 | |
| | Piston ring | 31 | 1 | |
| | Compression spring | 40 | 1 | |
| Refrigeration gasket | 48 | 1 | | |
| Pilot service kit | | | | |
| EVRH 40 (NC) | Al. gasket | 5 | 1 | 042H0165 |
| | O-ring | 14 | 1 | |
| | Al. gasket | 17 | 1 | |
| | Orifice | 18 | 1 | |
| | Armature tube | 19 | 1 | |
| | Armature assembly | 20 | 1 | |
| | Compression spring | 55 | 1 | |

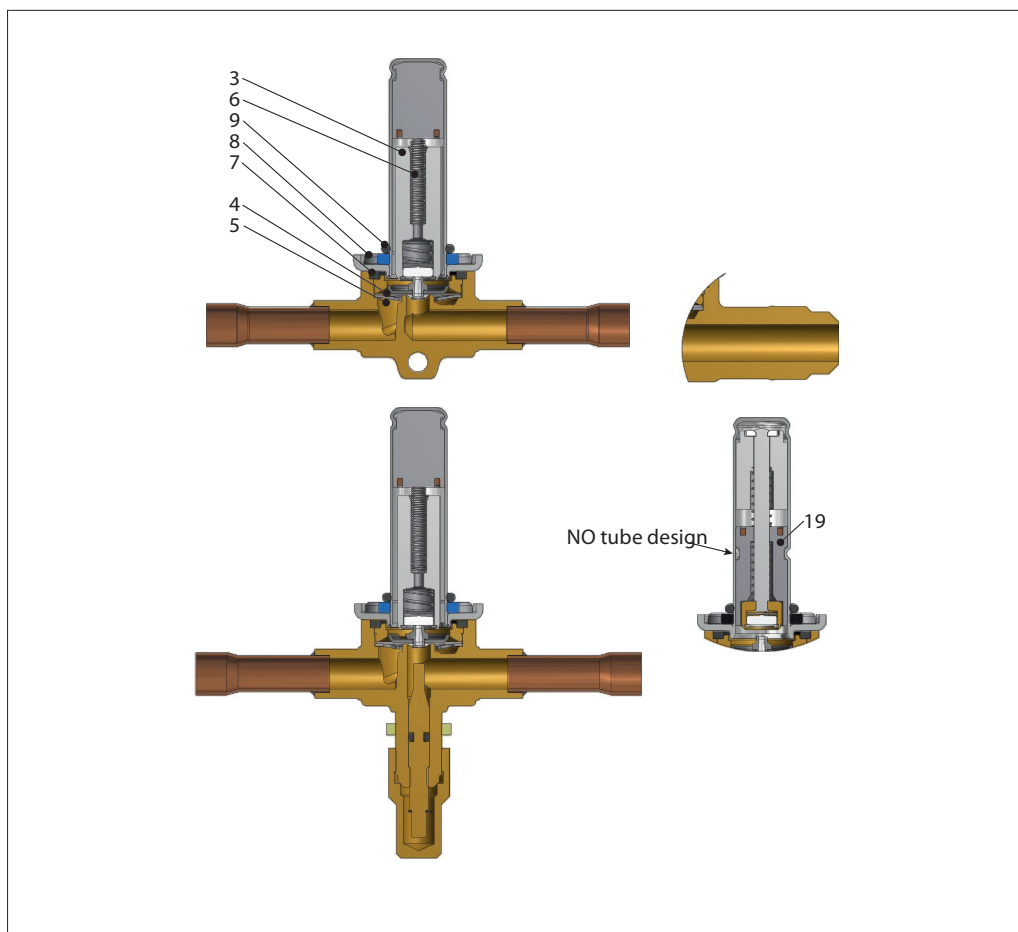
**EVR 2 - EVR 3 (NC)
Version 2**

The service kits are shared
with Version 1



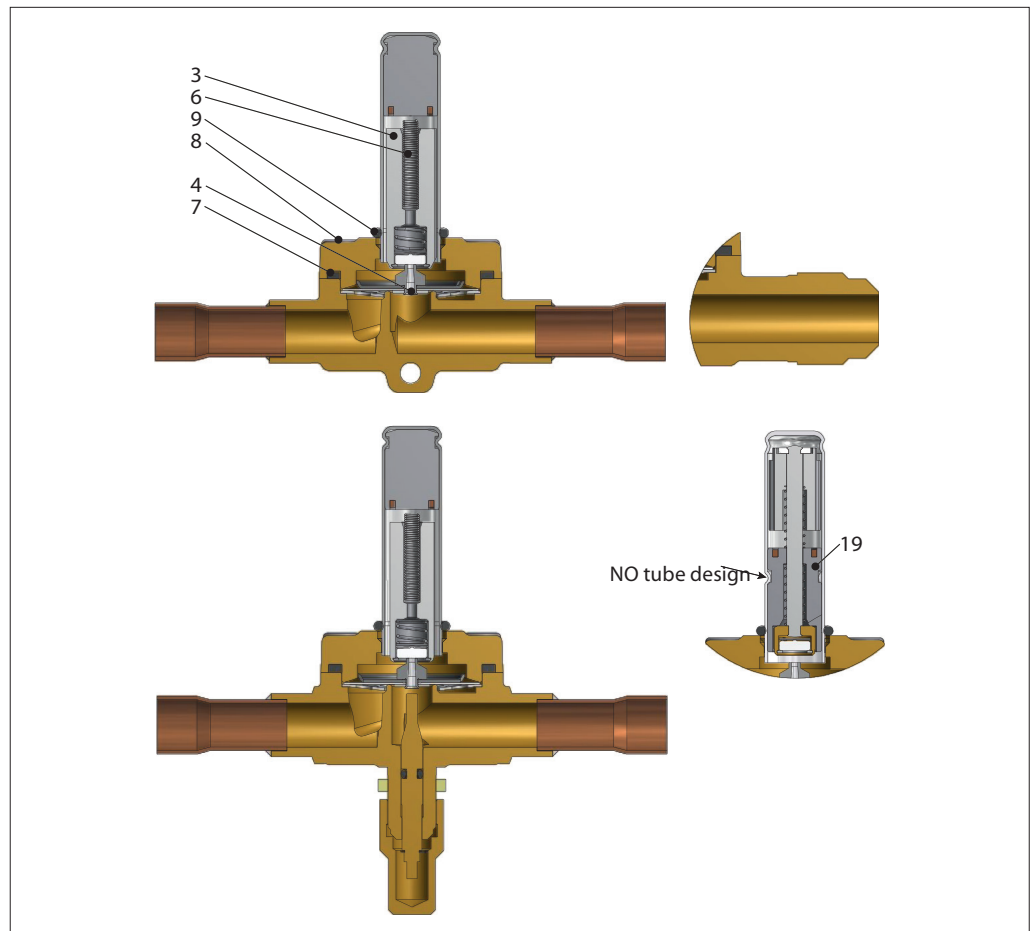
| Type | Description | Pos. # | Qty. | Code no. |
|-------------------------|-------------------|--------|------|-----------------|
| Service kit (AC) | | | | |
| EVR 2 and 3 (NC) | O-ring | 9 | 1 | 032F0181 |
| | Screw | 8 | 4 | |
| | Armature assembly | 3 | 1 | |
| | Rubber gasket | 7 | 1 | |
| | Armature spring | 6 | 1 | |

EVR 4 - EVR 6 - EVR 8
Version 2



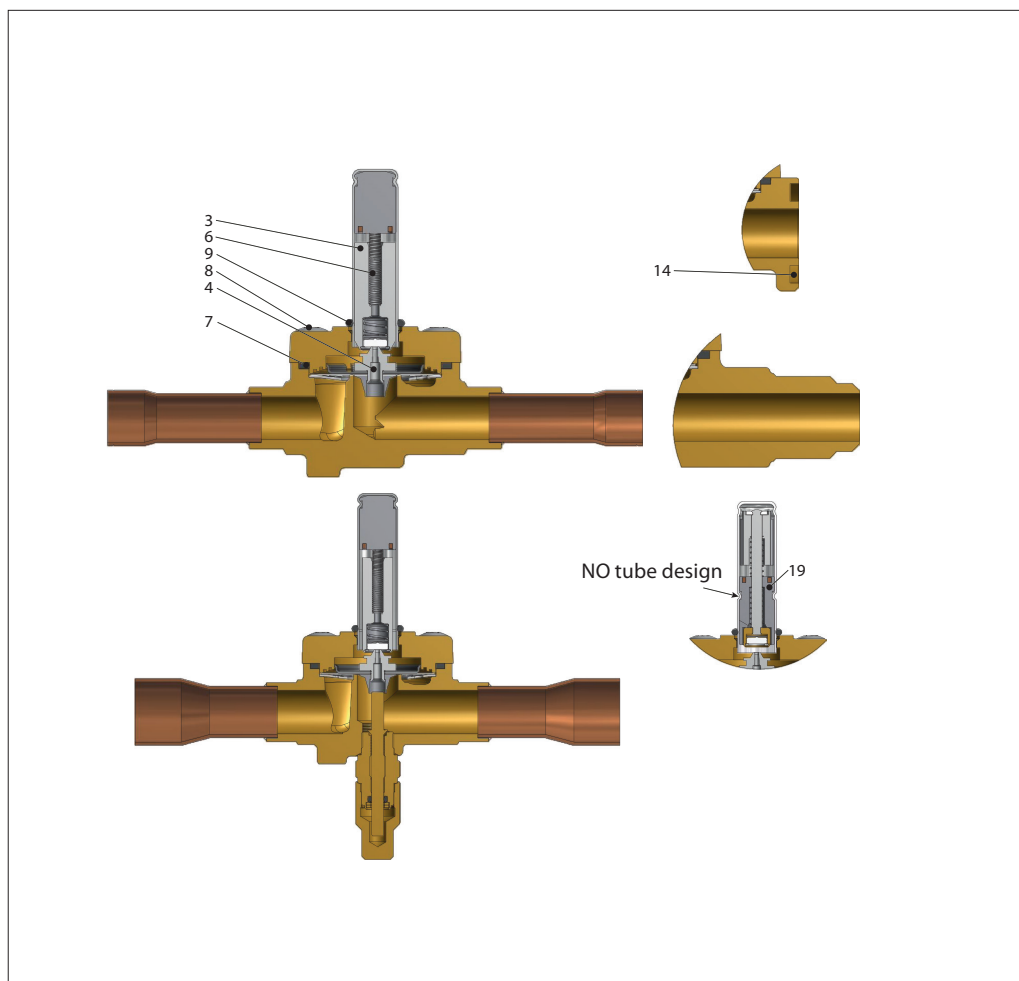
| Type | Description | Pos. # | Qty. | Code no. |
|--------------------------------|-----------------------------------|--------|------|-----------------|
| Seal kit | | | | |
| EVR 4, 6, and 8 (NC/NO) | O-ring for armature tube | 9 | 1 | 032L0548 |
| | Rubber gasket | 7 | 1 | |
| | Support ring | 4 | 1 | |
| Service kit | | | | |
| EVR 4 (NC) | Diaphragm assembly | 5 | 1 | 032L0549 |
| | O-ring for armature tube | 9 | 1 | |
| | Screw T15 | 8 | 4 | |
| | Armature assembly | 3 | 1 | |
| | Rubber gasket | 7 | 1 | |
| | Support ring | 4 | 1 | |
| | Compress spring | 6 | 1 | |
| Service kit | | | | |
| EVR 6 and 8 (NC) | Diaphragm assembly | 5 | 1 | 032L0550 |
| | O-ring | 9 | 1 | |
| | Screw | 8 | 4 | |
| | Armature assembly | 3 | 1 | |
| | Rubber gasket | 7 | 1 | |
| | Support ring | 4 | 1 | |
| | Compression ring | 6 | 1 | |
| Service kit | | | | |
| EVR 6 and 8 (NO) | O-ring for armature tube | 9 | 1 | 032L0551 |
| | Rubber gasket | 7 | 1 | |
| | Support ring | 4 | 1 | |
| | Steel cover and armature assembly | 19 | 1 | |
| | Diaphragm assembly | 5 | 1 | |
| | Screw | 8 | 1 | |

**EVR 10
Version 2**



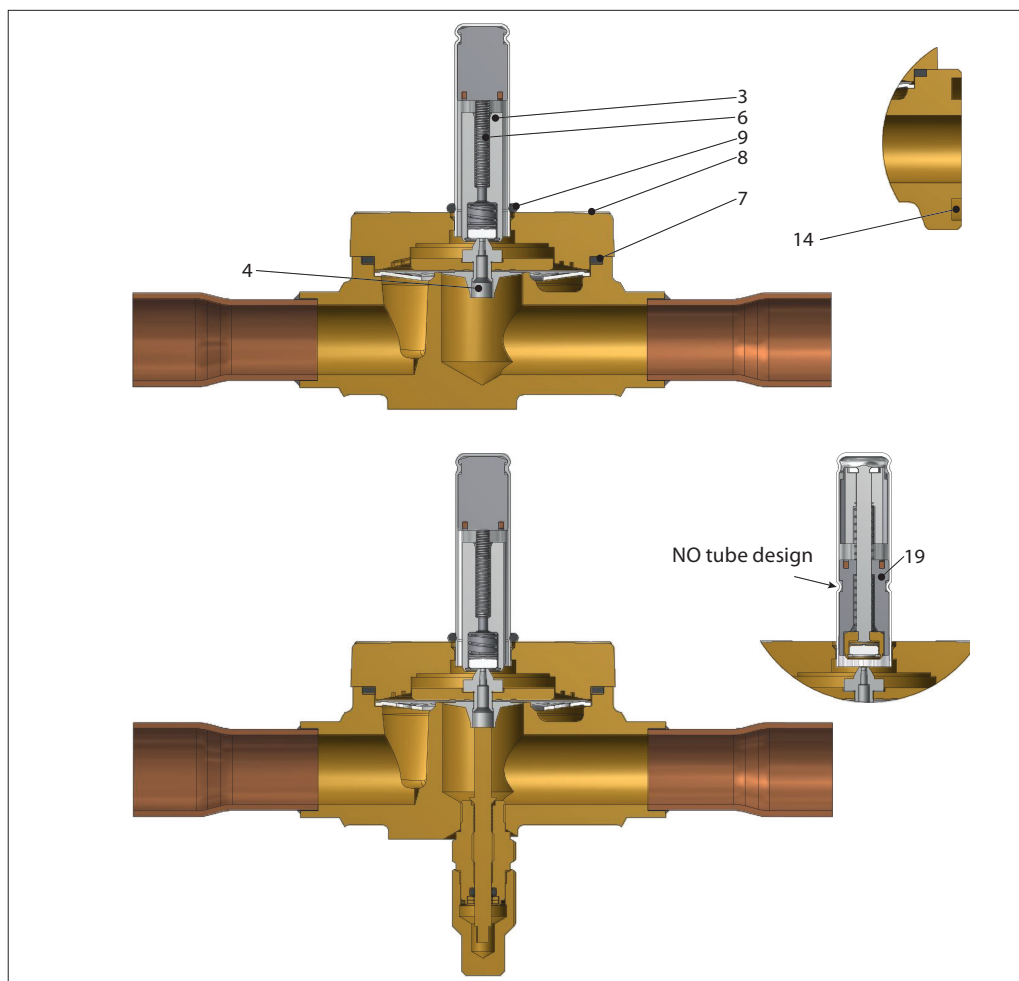
| Type | Description | Pos. # | Qty. | Code no. |
|--------------------|--------------------------------------|--------|------|----------|
| Seal kit | | | | |
| EVR 10 (NO) | O-ring, Armature tube | 9 | 1 | 032F8196 |
| | Rubber gasket | 7 | 1 | |
| Service kit | | | | |
| EVR 10 (NC) | Diaphragm assembly | 4 | 1 | 032L0552 |
| | O-ring | 9 | 1 | |
| | Screw | 8 | 4 | |
| | Armature assembly | 3 | 1 | |
| | Rubber gasket | 7 | 1 | |
| | Compress spring | 6 | 1 | |
| Service kit | | | | |
| EVR 10 (NO) | Diaphragm assembly | 4 | 1 | 032L0553 |
| | O-ring | 9 | 1 | |
| | Screw | 8 | 4 | |
| | Cover assembly and armature assembly | 19 | 1 | |
| | Rubber gasket | 7 | 1 | |

EVR 15 - EVR 18
Version 2



| Type | Description | Pos. # | Qty. | Code no. |
|--------------------|--|--------|------|----------|
| Seal kit | | | | |
| EVR 15 and 18 (NO) | O-ring, Armature tube | 9 | 1 | 032F8196 |
| | Rubber gasket | 7 | 1 | |
| Service kit | | | | |
| EVR 15 and 18 (NC) | Diaphragm assembly | 4 | 1 | 032L0554 |
| | O-ring | 9 | 1 | |
| | Screw | 8 | 4 | |
| | Armature assembly | 3 | 1 | |
| | Rubber gasket | 7 | 1 | |
| | Refrigeration gasket (flange connection) | 14 | 1 | |
| | Compress spring | 6 | 1 | |
| Service kit | | | | |
| EVR 15 and 18 (NO) | Diaphragm assembly | 4 | 1 | 032L0555 |
| | O-ring | 9 | 1 | |
| | Screw | 8 | 4 | |
| | Cover assembly and armature assembly | 19 | 1 | |
| | Rubber gasket | 7 | 1 | |
| | Refrigeration gasket (flange connection) | 14 | 1 | |

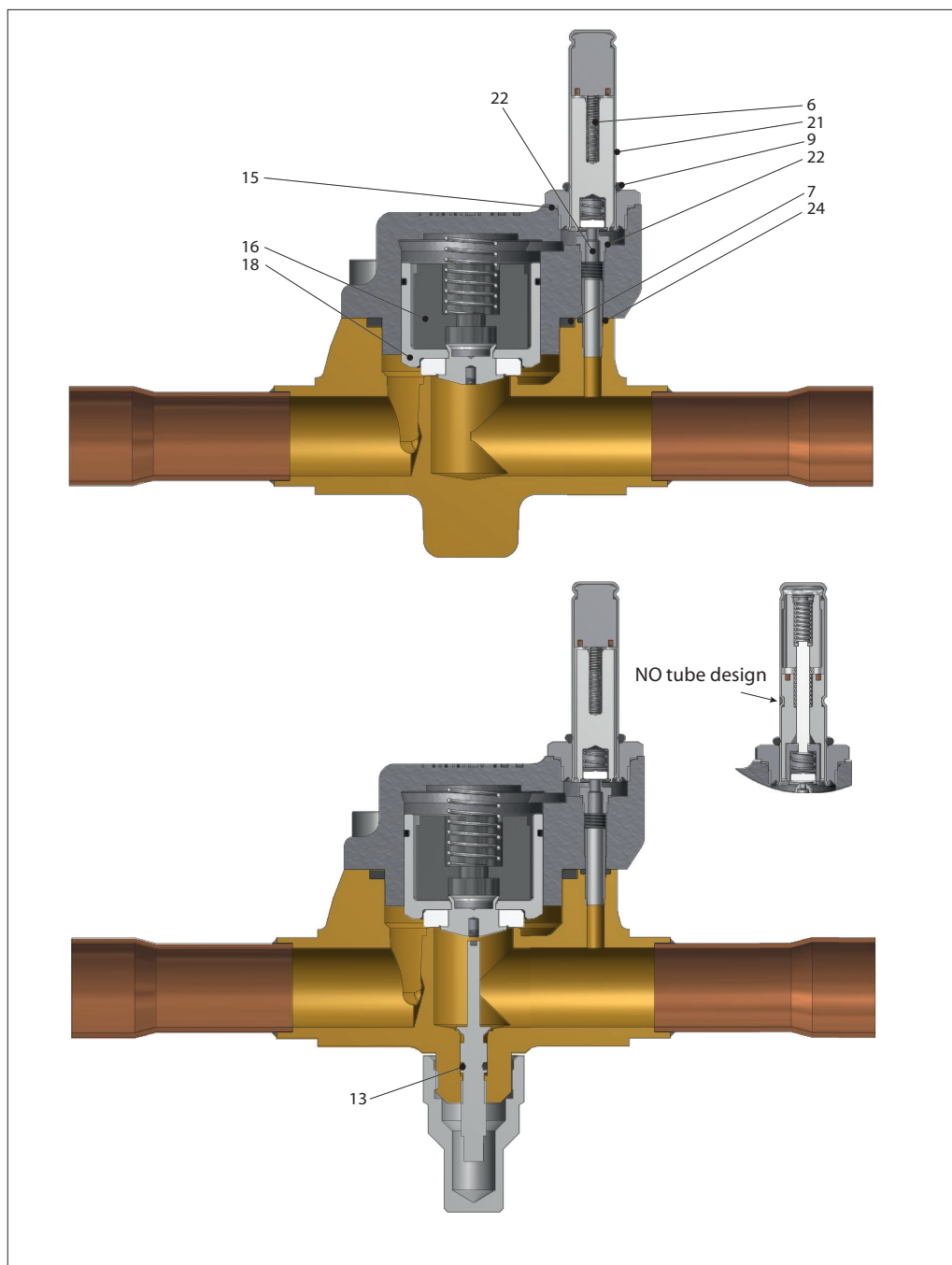
EVR 20 - EVR 22
Version 2



| Type | Description | Pos. # | Qty. | Code no. |
|------------------------------|--|--------|------|-----------------|
| Seal kit | | | | |
| EVR 20 and 22 (NC/NO) | O-ring, Armature tube | 9 | 1 | 032F8196 |
| | Rubber gasket | 7 | 1 | |
| Service kit | | | | |
| EVR 20 and 22 (NC) | Diaphragm assembly | 4 | 1 | 032L0556 |
| | O-ring | 9 | 1 | |
| | Screw | 8 | 4 | |
| | Armature assembly | 3 | 1 | |
| | Rubber gasket | 7 | 1 | |
| | Refrigeration gasket (flange connection) | 14 | 1 | |
| Service kit | | | | |
| EVR 20 and 22 (NO) | Diaphragm assembly | 4 | 1 | 032L0557 |
| | O-ring | 9 | 1 | |
| | Screw | 8 | 4 | |
| | Cover assembly and armature assembly | 19 | 1 | |
| | Rubber gasket | 7 | 1 | |
| | Refrigeration gasket (flange connection) | 14 | 2 | |

**EVR 25
Version 2**

The service kits are shared
with Version 1



| Type | Description | Pos. # | Qty. | Code no. |
|--------------------|---------------|--------|------|-----------------|
| Seal kit | | | | |
| EVR 25 (NC) | Al. gasket | 15 | 1 | 032F2326 |
| | Al. gasket | 23 | 1 | |
| | O-ring | 24 | 1 | |
| | O-ring | 9 | 1 | |
| | O-ring | 13 | 1 | |
| | Rubber gasket | 7 | 1 | |

Note!
All code nos. are valid for EVR 25 with stainless steel piston as well as for EVR 25 with cast iron piston.

Data sheet - Spare parts and accessories | Solenoid valve, types EVR 2 - EVR 40

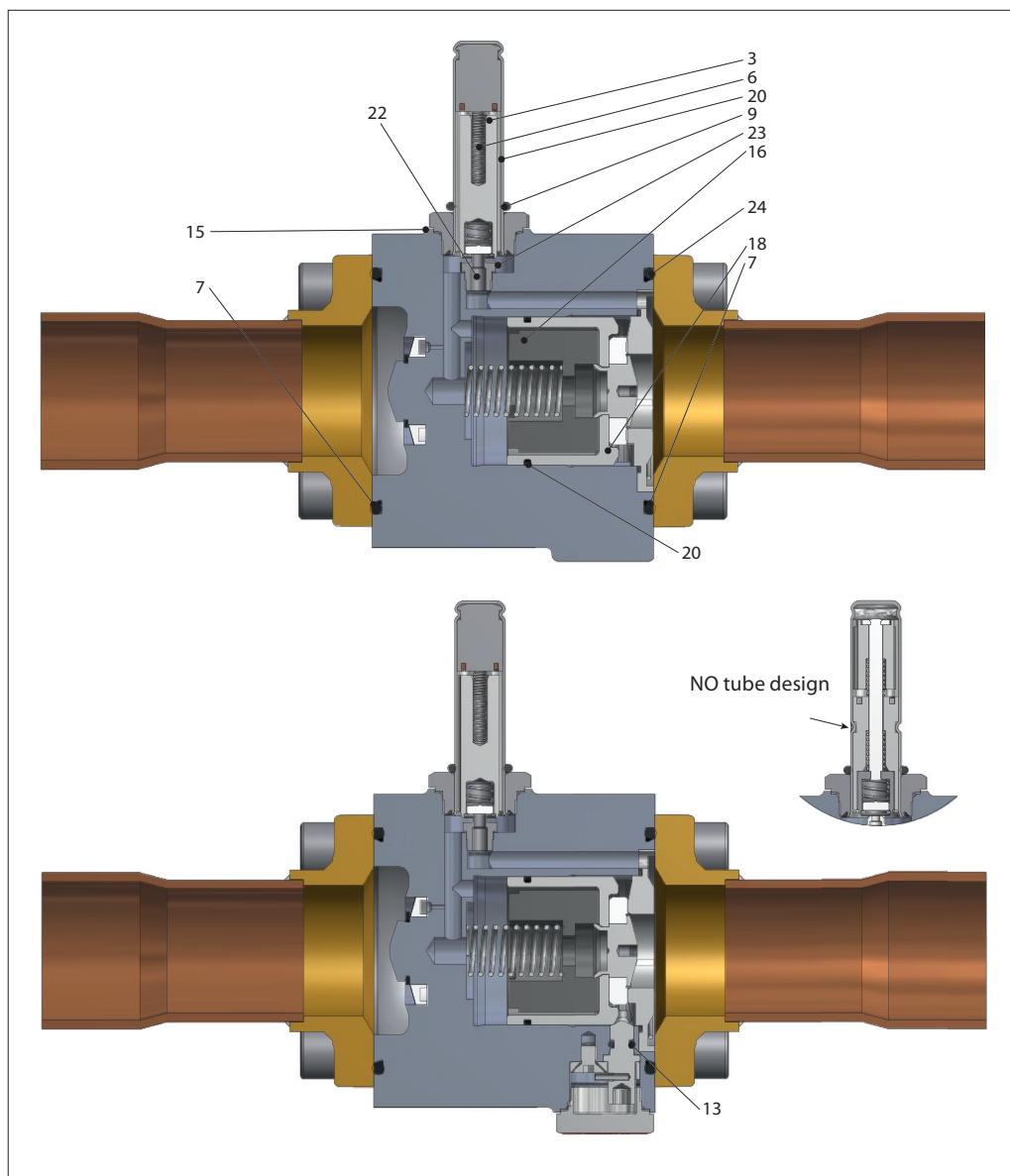
**EVR 25
Version 2**

**The service kits are shared
with Version 1
(continued)**

| Type | Description | Pos. # | Qty. | Code no. |
|---------------------------|--------------------|--------|------|-----------------|
| Piston service kit | | | | |
| EVR 25 (NC) | O-ring | 9 | 1 | 032F3236 |
| | Compression spring | 6 | 1 | |
| | O-ring | 24 | 1 | |
| | Piston assembly | 18 | 1 | |
| | Insert block | 16 | 1 | |
| | Rubber gasket | 7 | 1 | |
| | Piston ring | 20 | 1 | |
| Pilot service kit | | | | |
| EVR 25 (NC) | Armature assembly | 3 | 1 | 042H0165 |
| | Armature tube | 21 | 1 | |
| | Al. gasket | 23 | 1 | |
| | Nozzle | 22 | 1 | |
| | Al. gasket | 15 | 1 | |
| | O-ring | 14 | 1 | |
| | Compression spring | 6 | 1 | |

**EVR 32
Version 2**

The service kits are shared
with Version 1



| Type | Description | Pos. # | Qty. | Code no. |
|--------------------|-------------|--------|------|-----------------|
| Seal kit | | | | |
| EVR 32 (NC) | O-ring | 7 | 2 | 032F2327 |
| | Al. gasket | 15 | 1 | |
| | O-ring | 9 | 1 | |
| | O-ring | 24 | 1 | |
| | Al. gasket | 23 | 1 | |

Data sheet - Spare parts and accessories | Solenoid valve, types EVR 2 - EVR 40

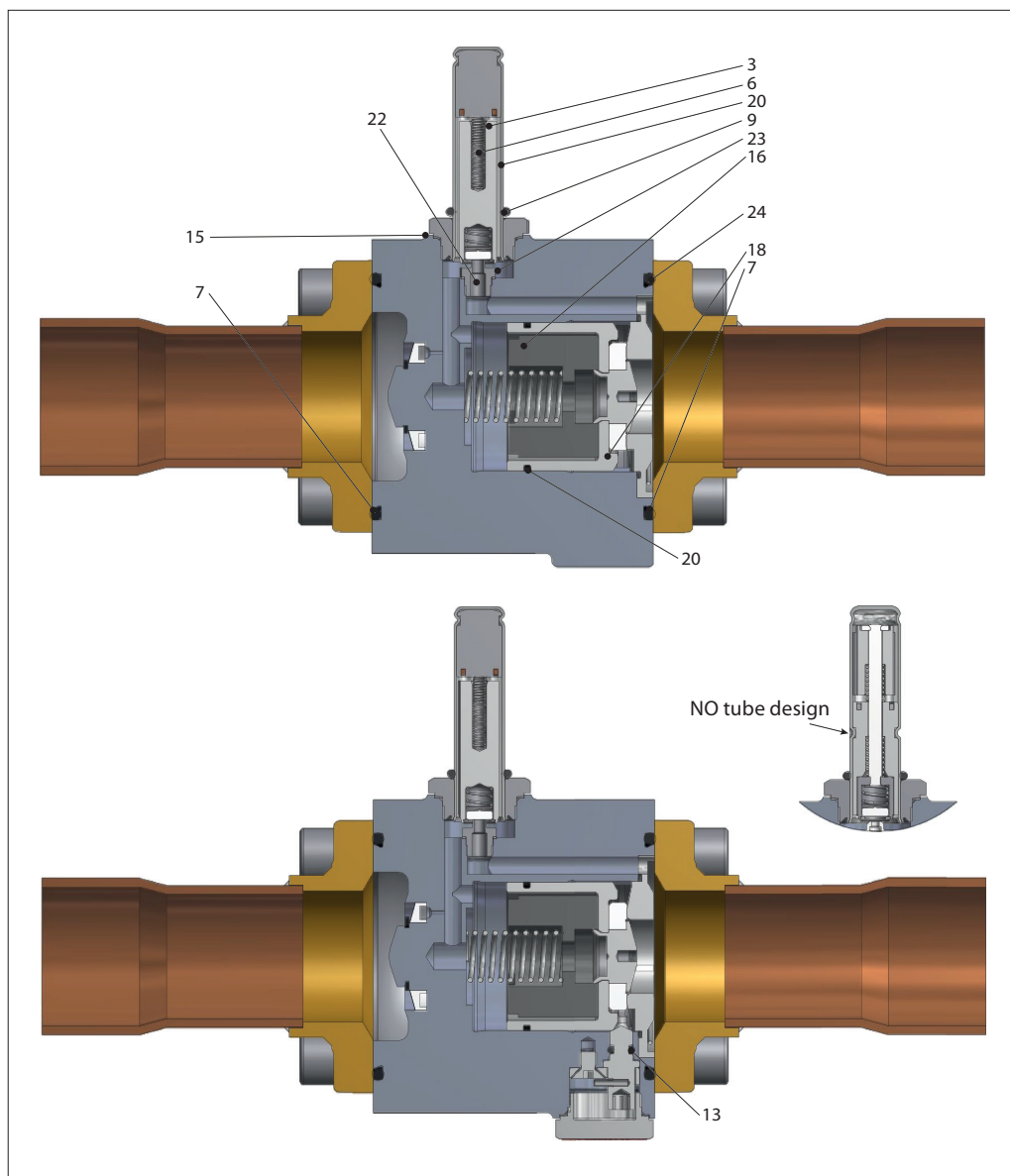
**EVR 32
Version 2**

**The service kits are shared
with Version 1
(continued)**

| Type | Description | Pos. # | Qty. | Code no. |
|---------------------------|----------------------|--------|------|-----------------|
| Piston service kit | | | | |
| EVR 32 (NC) | O-ring | 7 | 2 | 042H0172 |
| | Al. gasket | 15 | 1 | |
| | O-ring | 13 | 1 | |
| | Piston assembly | 18 | 1 | |
| | O-ring | 9 | 1 | |
| | Insert block | 16 | 1 | |
| | O-ring | 24 | 1 | |
| | Piston ring | 20 | 1 | |
| | Compression spring | 6 | 1 | |
| | Refrigeration gasket | 25 | 1 | |
| Pilot service kit | | | | |
| EVR 32 (NC) | Al. gasket | 15 | 1 | 042H0165 |
| | O-ring | 9 | 1 | |
| | Al. gasket | 23 | 1 | |
| | Nozzle | 22 | 1 | |
| | Armature tube | 21 | 1 | |
| | Armature assembly | 3 | 1 | |
| | Compression spring | 6 | 1 | |

**EVR 40
Version 2**

The service kits are shared
with Version 1



| Type | Description | Pos. # | Qty. | Code no. |
|--------------------|-------------|--------|------|-----------------|
| Seal kit | | | | |
| EVR 40 (NC) | O-ring | 7 | 2 | 032F2327 |
| | Al. gasket | 15 | 1 | |
| | O-ring | 9 | 1 | |
| | O-ring | 24 | 1 | |
| | Al. gasket | 23 | 1 | |

**EVR 40
Version 2**

**The service kits are shared
with Version 1
(continued)**

| Type | Description | Pos. # | Qty. | Code no. |
|---------------------------|--------------------|--------|------|----------|
| Piston service kit | | | | |
| EVR 40 (NC) | O-ring | 7 | 2 | 042H0173 |
| | Al. gasket | 15 | 1 | |
| | O-ring | 13 | 1 | |
| | Piston assembly | 18 | 1 | |
| | O-ring | 9 | 1 | |
| | Insert block | 16 | 1 | |
| | O-ring | 24 | 1 | |
| | Piston ring | 20 | 1 | |
| | Compression spring | 6 | 1 | |
| Refrigeration gasket | 25 | 1 | | |
| Pilot service kit | | | | |
| EVR 40 (NC) | Al. gasket | 15 | 1 | 042H0165 |
| | O-ring | 9 | 1 | |
| | Al. gasket | 23 | 1 | |
| | Orifice | 22 | 1 | |
| | Armature tube | 21 | 1 | |
| | Armature assembly | 3 | 1 | |
| | Compression spring | 6 | 1 | |