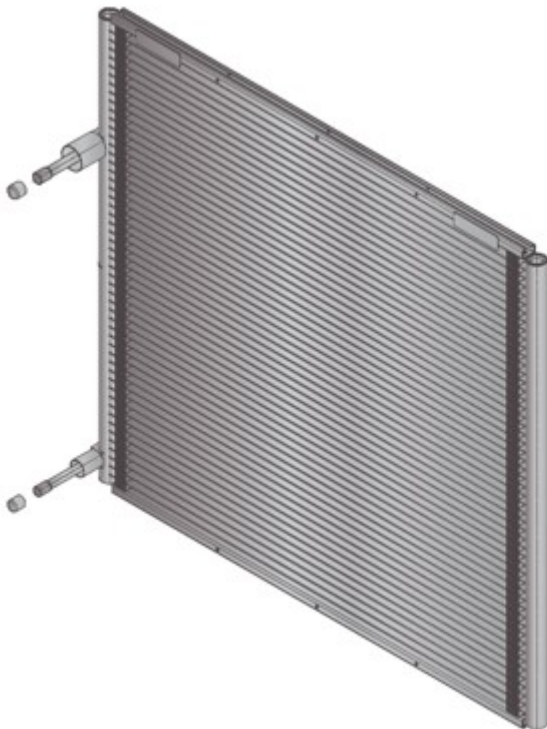


## Data Sheet

Micro Channel Heat Exchanger  
Type **MCHE D1300-C**

Condenser – standard series



D1300-C is ideal for use in a number of various applications, such as Residential AC, Condensing units, Air driers, Cabinet cooling and Indoor display.

MCHEs have an ingeniously simple all-aluminum design that is not only lightweight but also prevents galvanic corrosion.

The refrigerant-carrying tubes are formed to optimize heat transfer, enabling the production of more compact, but equally effective, cooling solutions. The smart louvered fin design maximizes surface contact, reducing the air-side pressure loss, improving efficiency and reducing noise levels.

**Features:**

- Reduce refrigerant system charge
- Improve efficiency – More compact/better COP/increased capacity
- Cost - Less sensitive to fluctuations in raw material prices
- Better corrosion characteristics due to all-aluminum design

**Product specification**

**Technical data**

Table 1: Technical data

Model	Coil length	Coil height	Core depth	Fin pitch	Inlet ID diameter	Outlet ID diameter	Continuous operating temperature	Max. working pressure
D1300-C	552 (mm) 21.7 (in)	517 (mm) 20.3 (in)	16 (mm) 0.6 (in)	1.1 (mm) 23 (FPI)	9.7 (mm) 0.38 (in)	8.2 (mm) 0.32 (in)	-40 °C / 121 °C -40 °F / 250 °F	45 (bar) 650 (psi)

**Weight / internal volume**

Coil weight: 2.174 kg / 4.8 lb  
Internal volume: 0.4 l / 24.41 in<sup>3</sup>

**Material specification**

MPE Tube: AA3102  
Fins: AA3003Mod clad with AA4343  
Manifold: AA3003 clad with AA4343  
Side plate: AA3003  
Inlet/Outlet tubes: Copper

**Performance data**

Table 2: Performance data of R410A and R134a

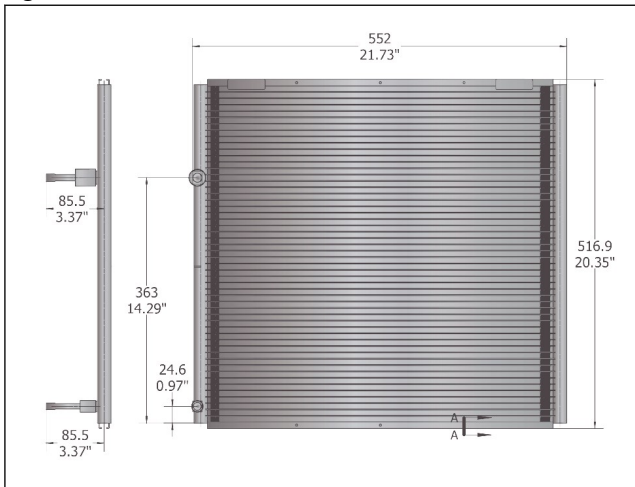
Air Velocity [m/s] [ft/min]	Performance [KW/Btu/h×1000]							
	R410A				R134a			
	Δ=10 K / 18 °F	Δ=15 K / 27 °F	Δ=20 K / 36 °F	Δ=25 K / 45 °F	Δ=10 K / 18 °F	Δ=15 K / 27 °F	Δ=20 K / 36 °F	Δ=25 K / 45 °F
1.0/197	2.08/7.1	3.73/12.73	5.08/17.33	6.42/21.91	2.3/7.85	3.61/12.32	4.91/16.75	6.2/21.15
1.5/295	3.27/11.16	5.15/17.57	7.02/23.95	9.23/31.49	3.15/10.75	4.98/16.99	6.78/23.13	8.57/29.24
2.0/394	4.05/13.82	6.39/21.8	9.04/30.84	11.61/39.61	3.89/13.27	6.16/21.02	8.41/28.69	10.65/36.34
2.5/492	4.75/16.21	7.49/25.56	10.74/36.64	13.79/47.05	4.54/15.49	7.22/24.63	9.85/33.61	12.49/42.62
3.0/591	5.37/18.32	8.49/28.97	12.49/42.62	15.79/53.88	5.13/17.5	8.16/27.84	11.18/38.15	14.41/49.17

Table 3: Performance data of R404A and R407C

Air Velocity [m/s] [ft/min]	Performance [KW/Btu/h×1000]							
	R404A				R407C			
	Δ=10 K / 18 °F	Δ=15 K / 27 °F	Δ=20 K / 36 °F	Δ=25 K / 45 °F	Δ=10 K / 18 °F	Δ=15 K / 27 °F	Δ=20 K / 36 °F	Δ=25 K / 45 °F
1.0/197	2.37/8.09	3.71/12.66	5.04/17.2	6.55/22.35	1.44/4.91	2.98/10.17	4.37/14.91	5.74/19.58
1.5/295	3.23/11.02	5.08/17.33	6.91/23.58	9.27/31.63	1.87/6.38	4.1/13.99	6.03/20.57	7.95/27.13
2.0/394	3.96/13.51	6.26/21.36	9.07/30.95	11.65/39.75	2.51/8.56	5.08/17.33	7.49/25.56	9.88/33.71
2.5/492	4.61/15.73	7.29/24.87	10.75/36.68	13.79/47.05	2.93/10	5.93/20.23	8.78/29.96	11.67/39.82
3.0/591	5.18/17.67	8.31/28.35	12.28/41.9	15.77/53.81	3.27/11.16	6.7/22.86	9.94/33.92	13.73/46.85

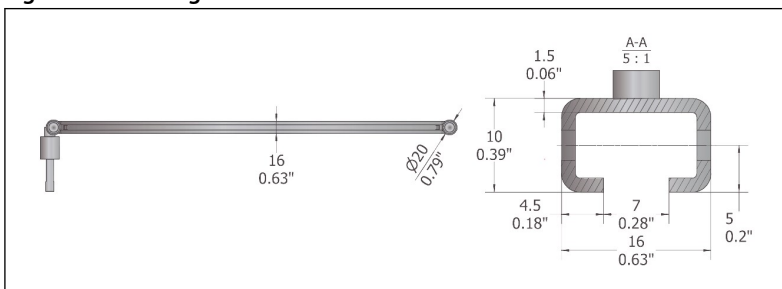
## Dimensions

Figure 1: Dimensions



## Mounting

Figure 2: Mounting



Aluminum MCHEs expand and contract when exposed to big temperature changes. Installation supports/brackets must allow the MCHE to move in two dimensions.

## Standard connections

The product is equipped with standard copper pipe connections for easy mounting. Never bend or stress the inlet/outlet connections during mounting, and design installations to avoid vibration in operation.

## Bending

Micro Channel Heat Exchangers can easily be bent to fit in any application. Ask your local Danfoss Sales representative for advice.

## Availability

Our local stocking and distribution network allows standard MCHEs to be delivered globally with short delivery times. Contact your local Danfoss sales representative for the standard lead times in your region.

## Certificates, declarations, and approvals

The list contains all certificates, declarations, and approvals for this product type. Individual code number may have some or all of these approvals, and certain local approvals may not appear on the list.

Some approvals may change over time. You can check the most current status at [danfoss.com](http://danfoss.com) or contact your local Danfoss representative if you have any questions.

**Table 4: Certificates, declarations, and approvals**

File name	Document type	Document topic	Approvals Authority
UL SA33862	Safety certificate	UL	UL-CCIC Company Limited
BV CE-0062-PED-H-DMC 001-20-CHN	Pressure - Safety Certificate	PED	Bureau Veritas Services SAS
EU Declaration Danfoss BF202010en-0001.01	EU Declaration	PED	Danfoss
TSSA CRN 0H22500.512346	Pressure - Safety Certificate	CRN	TSSA
EAC RU Д-ДК.РА01.В.72299_20	EAC Declaration	EAC	CU-TR
EAC RU Д-ДК.БЛ08.В.00327_18	EAC Declaration	EAC	CU-TR
EAC RU Д-ДК.БЛ08.В.00162	EAC Declaration	EAC	CU-TR
Certificate UA TR TOV EVRO-TYSK UA.TR.089.1122.05-19 HE 22.11.19 - 21.11.22	UA Certificate	UA Conformity	LLC CDC EURO TYSK
Manufacturers Declaration Danfoss EU-ROHS-DoC-202009-01.01	Manufacturer Declaration	EU ROHS	Danfoss
Manufacturers Declaration Danfoss MCHE-RoHS-DOC-201601	Manufacturer Declaration	China RoHS	Danfoss

3 EAC files are suitable for using different refrigerants.

## Online support

Danfoss offers a wide range of support along with our products, including digital product information, software, mobile apps, and expert guidance. See the possibilities below.

### The Danfoss Product Store



The Danfoss Product Store is your one-stop shop for everything product related—no matter where you are in the world or what area of the cooling industry you work in. Get quick access to essential information like product specs, code numbers, technical documentation, certifications, accessories, and more.

Start browsing at [store.danfoss.com](https://store.danfoss.com).

### Find technical documentation



Find the technical documentation you need to get your project up and running. Get direct access to our official collection of data sheets, certificates and declarations, manuals and guides, 3D models and drawings, case stories, brochures, and much more.

Start searching now at [www.danfoss.com/en/service-and-support/documentation](https://www.danfoss.com/en/service-and-support/documentation).

### Danfoss Learning



Danfoss Learning is a free online learning platform. It features courses and materials specifically designed to help engineers, installers, service technicians, and wholesalers better understand the products, applications, industry topics, and trends that will help you do your job better.

Create your Danfoss Learning account for free at [www.danfoss.com/en/service-and-support/learning](https://www.danfoss.com/en/service-and-support/learning).

### Get local information and support



Local Danfoss websites are the main sources for help and information about our company and products. Find product availability, get the latest regional news, or connect with a nearby expert—all in your own language.

Find your local Danfoss website here: [www.danfoss.com/en/choose-region](https://www.danfoss.com/en/choose-region).