

Data Sheet

Condensing pressure regulator, type **KVR** Differential pressure valve, type **NRD**

Maintains a constant and sufficiently high condenser and receiver pressure



Regulating system KVR and NRD is used to maintain a constant and sufficiently high condenser and receiver pressure in refrigeration and air conditioning plant with air-cooled condensers.

KVR can also be used together with receiver pressure regulator, type KVD.

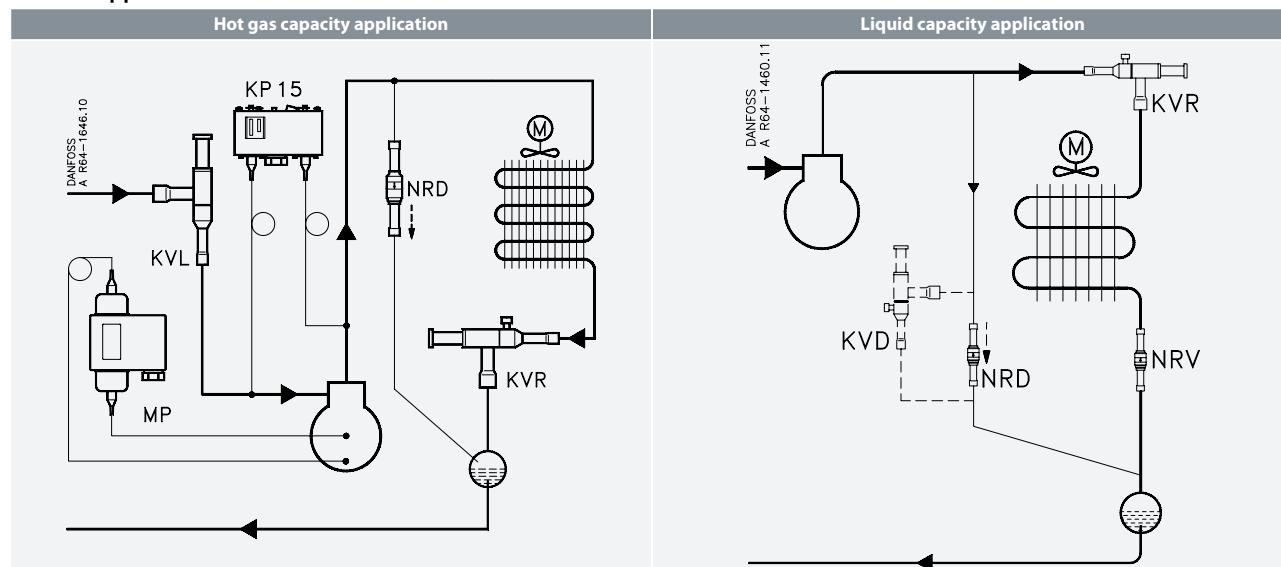
Features:

- Accurate, adjustable pressure regulation
- Wide capacity and operating range
- Pulsation damping design
- Stainless steel bellows
- Compact angle design for easy installation in any position
- "Hermetic" brazed construction
- 1/4 in. Schrader valve for pressure gauge connection
- Available with flare and ODF solder connections
- KVR 12 - KVR 22 and NRD: May be used in the following EX range: Category 3 (Zone 2)

Applications

Application

Table 1: Application



Product specification

Technical data

Table 2: Technical data

Refrigerants	R22, R32**, R134a, R290*, R404A, R407A, R407C, R407F, R407H, R410A**, R448A, R449A, R449B, R450A, R452A, R452B**, R454A*, R454B**, R454C*, R455A*, R507, R513A, R515B, R516A, R600*, R600a*, R1233zd(E)**, R1234ze(E)*, R1234yf*, R1270* *KVR 12 – KVR 22 only; see more details in the note below the table **NRD only
Adjustment range	5 – 17.5 bar Factory setting = 10 bar
Maximum working pressure	KVR: PS/MWP = 28 bar NRD: PS/MWP = 49 bar
Maximum test pressure	KVR: Pe = 31 bar NRD: Pe = 81 bar
Medium temperature range	KVR: -45 – 130 °C, NRD: -50 – 155 °C
P-band	KVR 12 – 22 = 6.2 bar KVR 28 – 35 = 5 bar
Minimum opening pressure differential for NRD	Start opening: $\Delta p = 1.4$ bar

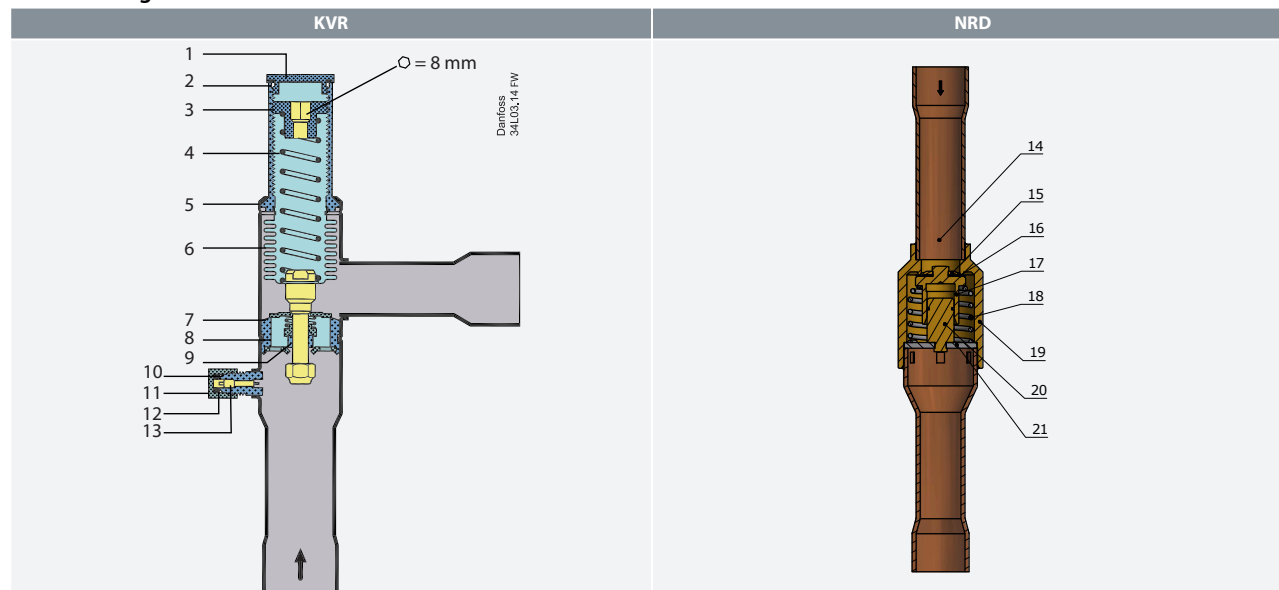
This product (KVR 12 – KVR 22) is evaluated for R290, R454A, R454C, R455A, R600, R600a, R1234ze(E), R1234yf, R1270 by ignition source assessment in accordance with standard EN ISO80079-36. Flare connections are only approved for A1 and A2L refrigerants.

NRD is evaluated for R32, R1270, R290, R452B, R454A, R454B, R454C, R455A, R600, R600a, R1233zd(E), R1234ze(E), R1234yf, R1270 by ignition source assessment in accordance with standard EN ISO80079-36.

For complete list of approved refrigerants, visit <http://store.danfoss.com/> and search for individual code numbers, where refrigerants are listed as part of technical data.

Design and materials

Table 3: Design / Function



1	Seal cap	8	Valve seat	15	Washer
2	Gasket	9	Damping device	16	Teflon disk
3	Setting screw	10	Pressure gauge connection	17	Piston
4	Main spring	11	Cap	18	Spring
5	Valve body	12	Gasket	19	Valve body
6	Equalizing bellows	13	Insert	20	Guide
7	Valve plate	14	Copper tube	21	Stop face

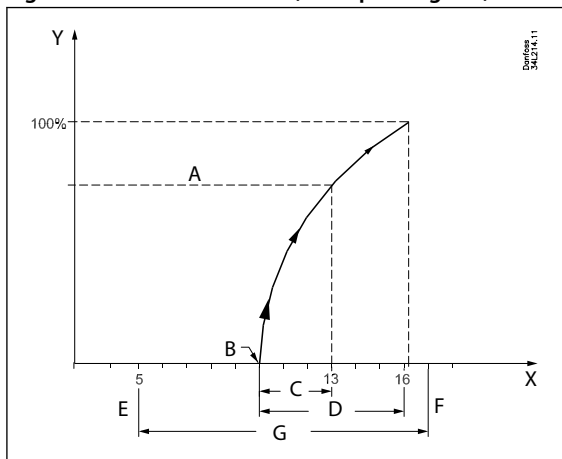
Condensing pressure regulator, type KVR opens upon a rise in pressure on the inlet side, i.e. when the pressure in the condenser reaches the set value. KVR regulation is dependent only on the inlet pressure. Pressure variations on the outlet side of the regulator do not affect the degree of opening, since type KVR has an equalizing bellows (6). The effective area of this bellows corresponds to that of the valve seat.

In addition, the regulator is equipped with an effective damping device (9) to safe-guard against pulsations which can normally occur in refrigeration plant.

The damping device contributes to ensuring a long working life for the regulator without impairing regulation accuracy.

Differential valve type NRD begins to open when the pressure drop in the valve is 1.4 bar.

Figure 1: P-band and Offset (Principle diagram)



A	Rated capacity
B	Set point
C	Offset
D	P-band
E	Min. setting point
F	Max. setting point
G	Adjustment range
X	capacity
Y	bar

Proportional band

The proportional band or P-band is defined as the amount of pressure required to move the valve plate from closed (set point) to fully open position.

Example

If the valve is set to open at 10 bar and the valve P-band is 6.2, the valve will give maximum capacity when the inlet pressure reaches 16.2 bar.

Offset

The offset is defined as the amount of pressure required to move the valve plate from closed position (set point) to the necessary opening degree for the actual load. The offset is always a part of the P-band.

Example with R22

A working temperature of 36 °C ~ 13 bar is required, and the temperature must not drop below 27 °C ~ 10 bar (set point). The offset will then be 3 bar.

Sizing

For optimum performance, it is important to select a KVR valve according to system conditions and application.

The following data must be used when sizing a KVR valve:

- Refrigerant: HCFC, HFC and HC: KVR 12 – KVR 22, HCFC and non-flammable HFC: KVR 28 – KVR 35
- Evaporator capacity Q_e (plant capacity)
- Evaporating temperature t_e in [°C]
- Condensing temperature t_c in [°C]
- Connection type: flare or solder
- Connection size in [in]

Valve selection

Example

When selecting the appropriate valve it may be necessary to convert the actual evaporator capacity using a correction factors.

This is required when your system conditions are different than the table conditions.

The selection is also dependant on the acceptable pressure drop across the valve.

The following example illustrates how this is done.

KVR in a liquid capacity application

- Refrigerant: R22 example
- Evaporator capacity: $Q_e = 100$ kW (plant capacity)
- Evaporating temperature: $t_e = -40$ °C
- Condensing temperature: $t_c = 30$ °C
- Connection type: Solder
- Connection size: 5/8 in

Step 1

Determine the correction factor for evaporating temperature t_e .

From the correction factors table an evaporating temperature of $-40\text{ }^\circ\text{C}$, R22 corresponds to a factor of 1.09.

t_e / [°C]	-40	-30	-20	-10	0	10
R22	1.09	1.05	1.02	1	0.98	0.96
R134a	1.14	1.09	1.04	1	0.96	0.93
R404A, R507	1.18	1.11	1.05	1	0.95	0.92
R407C	1.12	1.08	1.04	1	0.97	0.93

Plant capacity x correction factor = table capacity

Step 2

Corrected evaporator capacity is $Q_e = 100 \times 1.09 = 109.0\text{ kW}$

Step 3

Now select the appropriate capacity table and choose the line for a condensing temperature $t_c = 30\text{ }^\circ\text{C}$.

Using the corrected evaporator capacity, select a valve that provides an equivalent or greater capacity at an acceptable pressure drop.

KVR 12, KVR 15, KVR 22 delivers 142.9 kW at 1.6 bar pressure drop across the valve. Based on the required connection size of $\frac{5}{8}$ in. ODF, the KVR 15 is the proper selection for this example.

Step 4

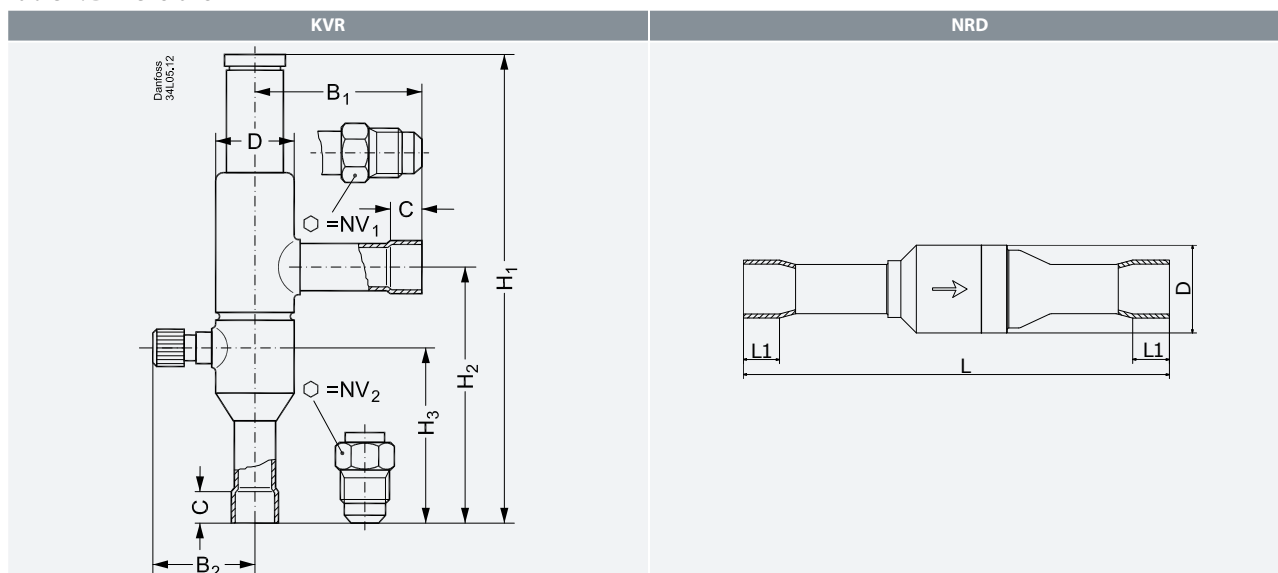
KVR 15, $\frac{5}{8}$ in. solder connection: code no. 034L0097 (see ordering list)

Valve selection based on capacity calculation

As for extended capacity calculations and valve selection based on capacities and refrigerants, please refer to Coolselector®2. Rated and extended capacities are calculated with the Coolselector®2 calculation engine to ARI standards with the ASEREP equations based on laboratory measurements of selected valves.

Dimensions

Table 4: Dimensions



Type	Connection				NV1	NV2	H1	H2	H3	L	L1	B1	B2	C Solder	øD	Net weight
	Flare		Solder ODF													
	[in]	[mm]	[in]	[mm]												
KVR 12	1/2	12	12	12	19	19	179	99	66	-	-	64	41	10	30	0.4
KVR 15	5/8	16	58	16	24	24	179	99	66	-	-	64	41	12	30	0.4
KVR 22	-	-	78	22	-	-	179	99	66	-	-	64	41	17	30	0.4

Condensing pressure regulator, type KVR and differential pressure valve, type NRD

Type	Connection				NV1	NV2	H1	H2	H3	L	L1	B1	B2	C Solder	øD	Net weight
	Flare		Solder ODF													
	[in]	[mm]	[in]	[mm]												
KVR 28	-	-	1 1/8	28	-	-	259	151	103	-	-	105	48	20	43	1
KVR 35	-	-	1 3/8	35	-	-	259	151	103	-	-	105	48	25	43	1
NRD	-	-	1/2	12	-	-	-	-	-	131	10	-	-	-	22	0.1

Ordering

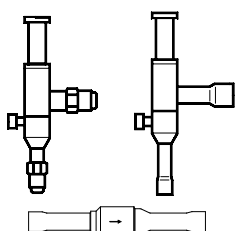


Table 5: KVR 12, KVR 15, KVR 22, KVR 28, KVR 35, NRD

Type	Rated liquid capacity ⁽¹⁾ (Evaporator capacity) [kW]				Rated hot gas ⁽¹⁾ (Evaporator capacity) [kW]				Flare connect. ⁽²⁾		Code no.	Solder Connect.		Code no.
	R22	R134a	R404A/R507	R407C	R22	R134a	R404A/R507	R407C	[in]	[mm]		[in]	[mm]	
KVR 12	50.4	47.3	36.6	54.4	13.2	11.6	12	14.3	1/2	12	034L0091	1/2	-	034L0093
	50.4	47.3	36.6	54.4	13.2	11.6	12	14.3	-	-	-	-	12	034L0096
KVR 15	50.4	47.3	36.6	54.4	13.2	11.6	12	14.3	5/8	16	034L0092	5/8	16	034L0097
KVR 22	50.4	47.3	36.6	54.4	13.2	11.6	12	14.3	-	-	-	7/8	22	034L0094
KVR 28	129	121	93.7	139.3	34.9	30.6	34.9	37.7	-	-	-	1 1/8	-	034L0095
	129	121	93.7	139.3	34.9	30.6	34.9	37.7	-	-	-	-	28	034L0099
KVR 35	129	121	93.7	139.3	34.9	30.6	34.9	37.7	-	-	-	1 3/8	35	034L0100
NRD	-	-	-	-	-	-	-	-	-	-	-	1/2	-	020B1132
	-	-	-	-	-	-	-	-	-	-	-	-	12	020B1136

⁽¹⁾ To select the product for other conditions or refrigerants, use Danfoss Coolselector[®]2.

Rated capacity is based on:

- evaporating temperature $t_e = -10\text{ °C}$
- condensing temperature $t_c = 30\text{ °C}$
- pressure drop across the valve
 - $\Delta p = 0.2\text{ bar}$ for liquid capacity
 - $\Delta p = 0.4\text{ bar}$ for hot gas capacity
- offset = 3 bar

⁽²⁾ KVR are delivered without flare nuts. Separate flare nuts can be delivered:

- 1/2 in / 12 mm, code no. 011L1103
- 5/8 in / 16 mm, code no. 011L1167

Certificates, declarations, and approvals

The list contains all certificates, declarations, and approvals for this product type. Individual code number may have some or all of these approvals, and certain local approvals may not appear on the list.

Some approvals may change over time. You can check the most current status at danfoss.com or contact your local Danfoss representative if you have any questions.

Table 6: Certificates, declarations, and approvals

File name	Document type	Document topic	Approvals Authority
Danfoss 034L9625.AB	Manufacturers Declaration	PED/RoHS	Danfoss
Danfoss 034R9541.AA	Manufacturers Declaration	China RoHS	Danfoss
EAC RU Д-ДК.БЛ08.В.00191_18	EAC Declaration	EAC	EAC
LLC CDC EURO-TYSK UA.089.D.00188-17	UA Declaration	TYSK	TYSK
UL SA7200	UL Certificate	UL	UL

Online support

Danfoss offers a wide range of support along with our products, including digital product information, software, mobile apps, and expert guidance. See the possibilities below.

The Danfoss Product Store



The Danfoss Product Store is your one-stop shop for everything product related—no matter where you are in the world or what area of the cooling industry you work in. Get quick access to essential information like product specs, code numbers, technical documentation, certifications, accessories, and more.

Start browsing at store.danfoss.com.

Find technical documentation



Find the technical documentation you need to get your project up and running. Get direct access to our official collection of data sheets, certificates and declarations, manuals and guides, 3D models and drawings, case stories, brochures, and much more.

Start searching now at www.danfoss.com/en/service-and-support/documentation.

Danfoss Learning



Danfoss Learning is a free online learning platform. It features courses and materials specifically designed to help engineers, installers, service technicians, and wholesalers better understand the products, applications, industry topics, and trends that will help you do your job better.

Create your Danfoss Learning account for free at www.danfoss.com/en/service-and-support/learning.

Get local information and support



Local Danfoss websites are the main sources for help and information about our company and products. Find product availability, get the latest regional news, or connect with a nearby expert—all in your own language.

Find your local Danfoss website here: www.danfoss.com/en/choose-region.

Coolselector®2 - find the best components for you HVAC/R system



Coolselector®2 makes it easy for engineers, consultants, and designers to find and order the best components for refrigeration and air conditioning systems. Run calculations based on your operating conditions and then choose the best setup for your system design.

Download Coolselector®2 for free at coolselector.danfoss.com.