


ENGINEERING
TOMORROW

Danfoss

ICF Flexline™ Valve Stations

**Control your installation
and servicing costs**
– and be ready for
all future refrigerants



Get more information at www.danfoss.com/ir

Time to take **industrial refrigeration** to the next level

With ICF Flexline valve stations, you can design and install reliable industrial refrigeration systems in half the time.

ICF Flexline is our complete range of valve stations for use with common refrigerants (up to 52 bar(754 psi)) in industrial refrigeration. Available in sizes from 15 mm (1/2 in.) to 80 mm (3 in.), these highly modular dual-weld valve stations can be configured to meet specific application requirements through the addition of up to six function modules.

This modular and space-saving approach makes ICF Flexline easy to work with for engineers in the design stage – and much easier and faster to install on site, since only two welds are required per valve station.

All valve stations in the ICF Flexline range are manufactured to the industry-leading Danfoss quality standards and based on tried and tested dual-weld technology, which reduces leakage risks. All function modules are pretested (function and leakage) and ready to install on delivery.

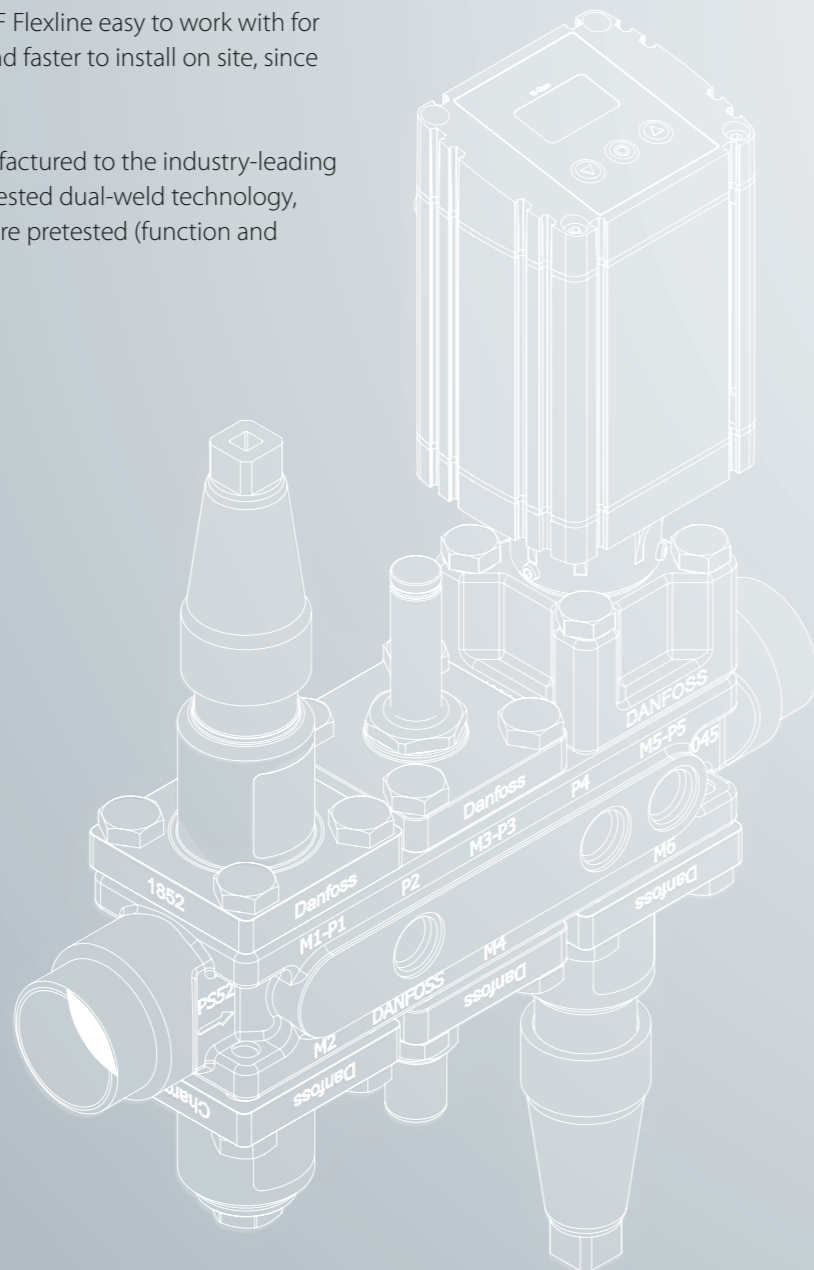
Low pressure drop improves efficiency

Independent tests show that ICF Flexline™ valve stations provide a much lower pressure drop than comparable valves. This increases overall system efficiency.

ICF Flexline™

Connections:
DIN butt weld
ANSI butt weld
ANSI socket weld
DIN/ANSI solder (ICF 15-4 only)
(SS: DIN butt weld only)

Max. working pressure:
52 bar (754 psi)



Range **overview**



ICF 15-4

Connection types: DIN butt weld, ANSI butt weld, ANSI Socket weld, DIN solder

Connection sizes: 15 mm (1/2 in), 20 mm (3/4 in)

Applications: Liquid lines, compressor injection lines and hot gas lines



ICF 20-4

Connection types: DIN butt weld, ANSI butt weld, ANSI Socket weld

Connection sizes: 20 mm (3/4 in), 25 mm (1 in), 32 mm (1-1/4 in)

Applications: Liquid lines, compressor injection lines and hot gas lines.

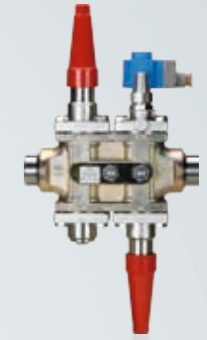


ICF 20-6

Connection types: DIN butt weld, ANSI butt weld, ANSI Socket weld

Connection sizes: 20 mm (3/4 in), 25 mm (1 in), 32 mm (1-1/4 in)

Applications: Liquid lines, compressor injection lines and hot gas lines.



ICF 25-4

Connection types: DIN butt weld, ANSI butt weld, ANSI Socket weld

Connection sizes: 25 mm (1 in), 32 mm (1-1/4 in), 40 mm (1-1/2 in)

Applications: Liquid lines, compressor injection lines and hot gas lines.



ICF 25-6

Connection types: DIN butt weld, ANSI butt weld, ANSI Socket weld

Connection sizes: 25 mm (1 in), 32 mm (1-1/4 in), 40 mm (1-1/2 in)

Applications: Liquid lines, compressor injection lines and hot gas lines.



ICF 50-4

Connection types: DIN butt weld, ANSI Socket weld

Connection sizes: 40 mm (1-1/2 in), 50 mm (2 in)

Applications: Hot gas lines and suction lines



ICF 65-3

Connection types: DIN butt weld, ANSI butt weld

Connection sizes: 65 mm (2-1/2 in), 80 mm (3 in)

Applications: Hot gas lines and suction lines

The world's only **stainless steel valve station**



ICF SS 20-4

Connection types: DIN butt weld, ANSI butt weld, ANSI Socket weld

Connection sizes: 20 mm (3/4 in), 25 mm (1 in), 32 mm (1-1/4 in)

Applications: Liquid lines, compressor injection lines and hot gas lines.



ICF SS 20-6

Connection types: DIN butt weld, ANSI butt weld, ANSI Socket weld

Connection sizes: 20 mm (3/4 in), 25 mm (1 in), 32 mm (1-1/4 in)

Applications: Liquid lines, compressor injection lines and hot gas lines.



ICF SS 25-4

Connection types: DIN butt weld, ANSI butt weld, ANSI Socket weld

Connection sizes: 25 mm (1 in), 32 mm (1-1/4 in), 40 mm (1-1/2 in)

Applications: Liquid lines, compressor injection lines and hot gas lines.



ICF SS 25-6

Connection types: DIN butt weld, ANSI butt weld, ANSI Socket weld

Connection sizes: 25 mm (1 in), 32 mm (1-1/4 in), 40 mm (1-1/2 in)

Applications: Liquid lines, compressor injection lines and hot gas lines.

Danfoss Industrial Refrigeration

A world of expertise at the click of a button

Turn to Danfoss if you want to combine quality components with expert knowhow and support. Try out these free tools, designed to make your work much easier.



DIRbuilder

DIRbuilder is designed to make selection processes for industrial refrigeration projects easier and less time-consuming. Specify the valves you need from an extensive pool of configuration options. The DIRbuilder library comprises all Danfoss Industrial Refrigeration valves. Free of charge – no software needed.



Coolselector® 2 – New calculation software for Industrial Refrigeration

Coolselector® 2 is a calculation and support tool for contractors and system designers, offering complete pressure drop calculations, analysis of pipe and valve design and the ability to generate performance reports. It replaces the well-known DIRcalc™ software and offers several new functionalities.



Danfoss IR app

The free IR App gives you a spare parts tool, which makes it easy for you to find the spare part number for a given Danfoss industrial refrigeration valve.



Download 3D CAD symbols

From our online product catalogue on our website, you can download 3D CAD symbols and illustrations to help you when designing refrigeration plants.



IR application tool

With this interactive PowerPoint slideshow, you can explore all the details of a two-stage ammonia plant. You will find detailed cut-away drawings and information on the valves in the installation along with links to videos, literature and product animations.



Application handbook

The Application Handbook is designed to help you every step of the way when working with industrial refrigeration systems. Among many other things, it contains examples of how to select control methods for different refrigeration systems, their design and which components to choose.

Visit www.danfoss.com/IR-tools and find all the tools you need.