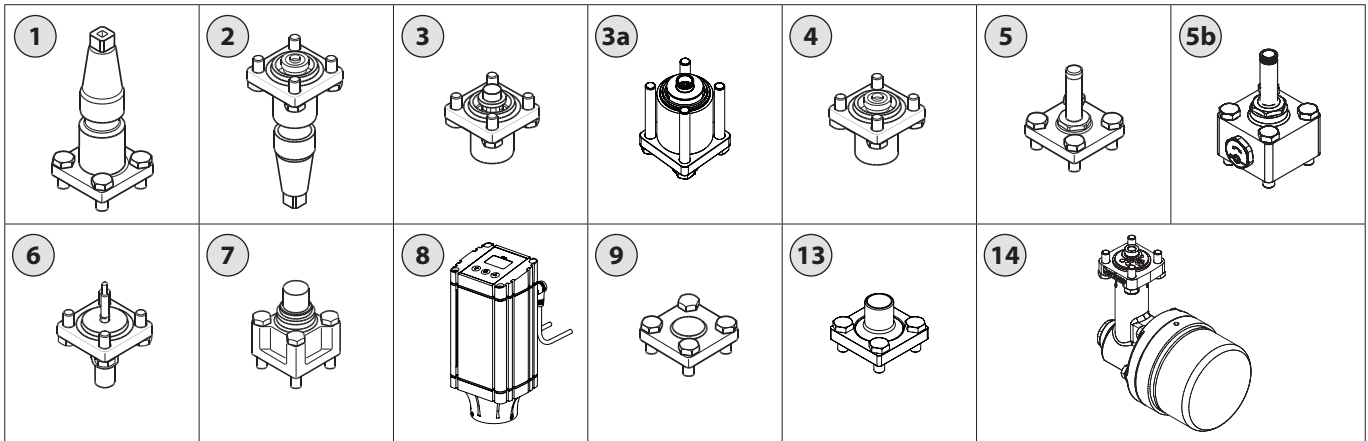


Data sheet - Spare parts and accessories

Valve station

Type ICF 15, ICF EVRAT, ICF 20, ICF SS 20



| Description | Fig # | Qty. | Code no. |
|--|-------|------|----------|
| Stop, Check, Stop/check and Regulating valve module | | | |
| ICFS 15 – Stop valve module | 1 | 1 | 148B5276 |
| ICFS 20 – Stop valve module | 1 | 1 | 027L1250 |
| ICFS SS 20 – Stop valve module | 1 | 1 | 027L4772 |
| ICFR 20A – Manual regulating valve (incl. PEEK seat) | 1 | 1 | 027L1254 |
| ICFR SS 20A – Manual regulating valve (incl. PEEK seat) | 1 | 1 | 027L4773 |
| ICFR 20B – Manual regulating valve (incl. PEEK seat) | 1 | 1 | 027L1255 |
| ICFR SS 20B – Manual regulating valve (incl. PEEK seat) | 1 | 1 | 027L4774 |
| ICFN 20 – Stop/check valve module | 2 | 1 | 027L1253 |
| ICFN SS 20 – Stop/check valve module | 2 | 1 | 027L4788 |
| ICFC 20 – Check valve module | 4 | 1 | 027L1252 |
| ICFC SS 20 – Check valve module | 4 | 1 | 027L4775 |
| Packing gland for ICFS 20, ICFR 20, ICFN 20 | – | 1 | 148B4056 |
| Red cap for ICFS 20 | – | 1 | 148B4075 |
| Yellow cap for ICFR 20 | – | 1 | 027L1306 |
| Green cap for ICFN 20 | – | 1 | 027L1316 |
| Handwheel for ICFS 20 | – | 1 | 148B4060 |
| Inspection kit for ICFS 15 | – | 1 | 148B6051 |
| Repair kit for ICFS 15 | – | 1 | 148B6061 |
| Overhaul kit for ICFS 15 | – | 1 | 148B6151 |

| Description | Fig # | Qty. | Code no. |
|---|-------|------|----------|
| Filter module | | | |
| ICFF 15 - Filter module G ¼" | – | 1 | 027L1246 |
| ICFF 15 - Filter module ¾"NPT | – | 1 | 027L1247 |
| ICFF 20 – Filter module (incl. adaptor and pleated insert (150 µ (100 mesh) / 45 cm² (7.0 in²)) | 3 | 1 | 027L1251 |
| ICFF SS 20 – Filter module (incl. adaptor and pleated insert (150 µ (100 mesh) / 45 cm² (7.0 in²)) | 3 | 1 | 027L4776 |
| ICFF 20E – Filter module (incl. adaptor and pleated insert (150 µ (100 mesh) / 160 cm² (24.8 in²)) | 3a | 1 | 027L2256 |
| ICFF SS 20E – Filter module (incl. adaptor and pleated insert (150 µ (100 mesh) / 160 cm² (24.8 in²)) | 3a | 1 | 027L4777 |
| Filter element for ICFF 15 | – | 1 | 148H1136 |
| Filter element for ICFF 20 74 µ | – | 1 | 148H3292 |
| Filter element pleated for ICFF 20 250 µ | – | 1 | 148H3363 |
| Filter element pleated for ICFF 20E, 250 µ | – | 1 | 148H3269 |
| Filter element for ICFF 20, ICFF SS 20, 150µ, 45 cm² | – | 1 | 027L0801 |
| Filter element for ICFF 20E, ICFF SS 20E, 150µ, 160 cm² | – | 1 | 027L0800 |

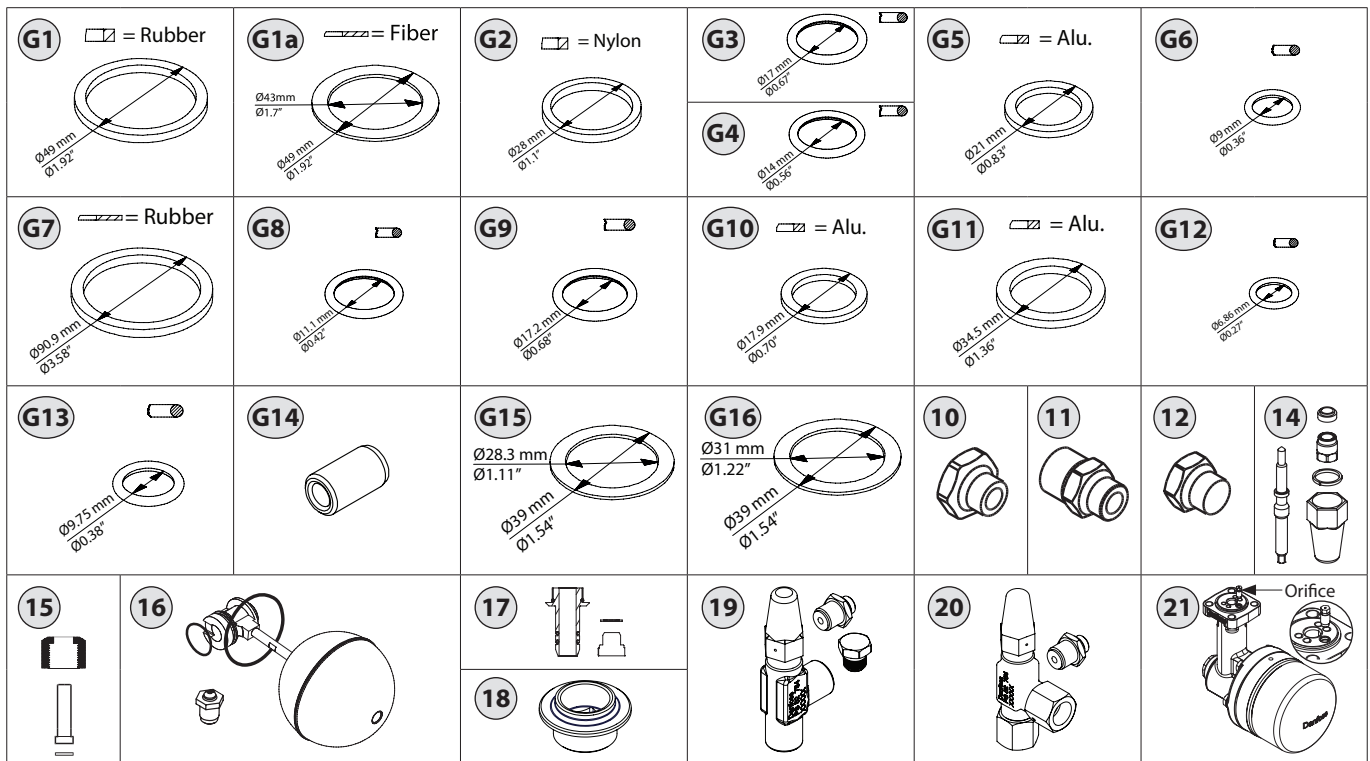
| Description | Fig # | Qty. | Code no. |
|---|-------|------|----------|
| Solenoid valve module | | | |
| ICFE 20 – Solenoid valve module (incl. PEEK seat) | 5 | 1 | 027L1257 |
| ICFE SS 20 – Solenoid valve module (incl. PEEK seat) | 5 | 1 | 027L4778 |
| ICFE 20H – Solenoid valve module High Capacity | 5b | 1 | 027L1270 |
| ICFE SS 20H – Solenoid valve module High Capacity | 5b | 1 | 027L4779 |
| Repair kit for ICFE 20: Armature assembly, Diaphragm assembly, Al. gasket, O-ring | – | 1 | 032F8030 |
| Manual opening module | | | |
| ICFO 20 – Manual opening module | 6 | 1 | 027L1260 |
| ICFO SS 20 – Manual opening module | 6 | 1 | 027L4786 |
| Electronic expansion valve module | | | |
| ICFA 20 – Electronic expansion valve module (incl. PEEK seat) | 5 | 1 | 027L1258 |
| ICFA SS 20 – Electronic expansion valve module (incl. PEEK seat) | 5 | 1 | 027L4780 |
| Armature kit for ICFA 20: Armature, Armature tube assembly, Alu gasket | – | 1 | 068F5045 |
| Motor valve module | | | |
| ICM 20-A33 – Motor valve module (incl. PEEK seat) | 7 | 1 | 027H1186 |
| ICM SS 20-A33 – Motor valve module (incl. PEEK seat) | 7 | 1 | 027L4785 |
| ICM 20-A – Motor valve module (incl. PEEK seat) | 7 | 1 | 027H1180 |
| ICM SS 20-A – Motor valve module (incl. PEEK seat) | 7 | 1 | 027L4782 |
| ICM 20-B66 – Motor valve module (incl. PEEK seat) | 7 | 1 | 027H1194 |
| ICM SS 20-B66 – Motor valve module (incl. PEEK seat) | 7 | 1 | 027L4781 |
| ICM 20-B – Motor valve module (incl. PEEK seat) | 7 | 1 | 027H1181 |
| ICM SS 20-B – Motor valve module (incl. PEEK seat) | 7 | 1 | 027L4783 |
| ICM 20-C – Motor valve module (incl. PEEK seat) | 7 | 1 | 027H1182 |
| ICM SS 20-C – Motor valve module (incl. PEEK seat) | 7 | 1 | 027L4784 |
| ICAD 600A – Actuator with 1.5 m (60 in.) cables | 8 | 1 | 027H9075 |
| ICAD 600A – Actuator without cables | 8 | 1 | 027H9120 |
| Blank top cover and welding module | | | |
| ICFB 20 – Blank top cover | 9 | 1 | 027L1259 |
| ICFB SS 20 – Blank top cover | 9 | 1 | 027L4787 |
| ICFW 20 – Welding module 20 DIN | 13 | 1 | 027L1245 |
| ICFW SS 20 – Welding module 20 DIN | 13 | 1 | 027L4789 |
| ICFW 20 – Welding module ¾" SOC | 13 | 1 | 027L1230 |
| Defrost module | | | |
| ICFD 20 | 14 | 1 | 027L6701 |
| ICFD 20C (CO ₂) | 14 | 1 | 027L6708 |

All modules include a gasket and four bolts when supplied.

Data sheet - Spare parts and accessories

Valve station

Type ICF 15, ICF EVRAT, ICF 20, ICF SS 20



| Description | Fig # | Qty. | Code no. |
|---|-------|------|----------|
| Gaskets and O-rings for ICF 15 | | | |
| Rubber gasket M3, M4 | G1 | 2 | 027L1271 |
| Fiber gasket M1 | G15 | 1 | |
| Fiber gasket M2 | G16 | 1 | |
| Al-gaskets for side ports | G5 | 2 | |
| O-ring for armature | G4 | 1 | |
| Gasket for Cap | G2 | 2 | |
| O-ring for PEEK seat | G3 | 2 | |
| Gaskets and O-rings for ICF 20/ICF SS 20 | | | |
| Rubber gasket bonnet-flange (ICF 20) | G1 | 6 | 027L1261 |
| Fiber gasket bonnet-flange (ICF SS 20) | G1a | 6 | |
| Stop, reg. and stop-check valves and ICM | | | |
| Gasket for a cap | G2 | 3 | 027L1261 |
| O-ring for PEEK seat | G3 | 2 | |
| O-ring for packing gland | G6 | 1 | |
| Solenoid valve module | | | |
| O-ring for armature | G4 | 1 | 027L1261 |
| O-ring for PEEK seat | G3 | 1 | |
| Al-gaskets for side ports | G5 | 6 | |
| Defrost Module | | | |
| Rubber gasket bonnet-flange | G1 | 1 | 027L6702 |
| Gasket for Float housing flange | G7 | 1 | |
| O-ring Inlet connector | G8 | 2 | |
| O-ring Inlet connector | G9 | 1 | |
| Al-gasket for Drain plug | G10 | 1 | |
| Al-gasket for Union nut | G11 | 1 | |
| O-ring Manual opener | G12 | 1 | |
| O-ring Manual opener | G13 | 1 | |
| Dowel Pin | G14 | 1 | |

| Description | Fig # | Qty. | Code no. |
|---|-------|------|----------|
| PEEK seat set for ICM /ICF 20 | | | |
| Seat PEEK | 18 | 1 | 027L1272 |
| Rubber gasket | G1 | 1 | |
| O-ring for PEEK seat | G3 | 1 | |
| Defrost Module SNV service kit (NPT thread) | | | |
| Al gasket | 19 | 1 | 148B6607 |
| Adapter G1/4" - 3/8" MPT | 19 | 1 | |
| SNV ST 3/8" FPT - 3/8" FPT | 19 | 1 | |
| Blind Plug 3/8" MPT | 19 | 1 | |
| Defrost Module SNV service kit (G thread) | | | |
| Al gasket | 20 | 3 | 148B3778 |
| Adapter G1/4" - G1/2" | 20 | 1 | |
| SNV ST G1/2" - G1/2" | 20 | 1 | |
| Defrost Module repair kit for ICFD 20 (Ammonia) | | | |
| Float, Float lever, Slider, Liquid orifice (incl. O-ring), O-ring for Orifice holder, AKV orifice, 2 x O-ring for Inlet connector | 16 | 1 | 027L6703 |
| Defrost Module repair kit for ICFD 20C (CO₂) | | | |
| Float, Float lever, Slider, Liquid orifice (incl. O-ring), O-ring for Orifice holder, AKV orifice, 2 x O-ring for Inlet connector | 16 | 1 | 027L6709 |
| Defrost Module inlet connector / drain plug | | | |
| Inlet connector | 17 | 1 | 027L6704 |
| O-ring for inlet connector | 17 | 3 | |
| Plug G 1/4" | 17 | 1 | |
| Alu gasket | 17 | 1 | |

Continued...

Data sheet - Spare parts and accessories

Valve station

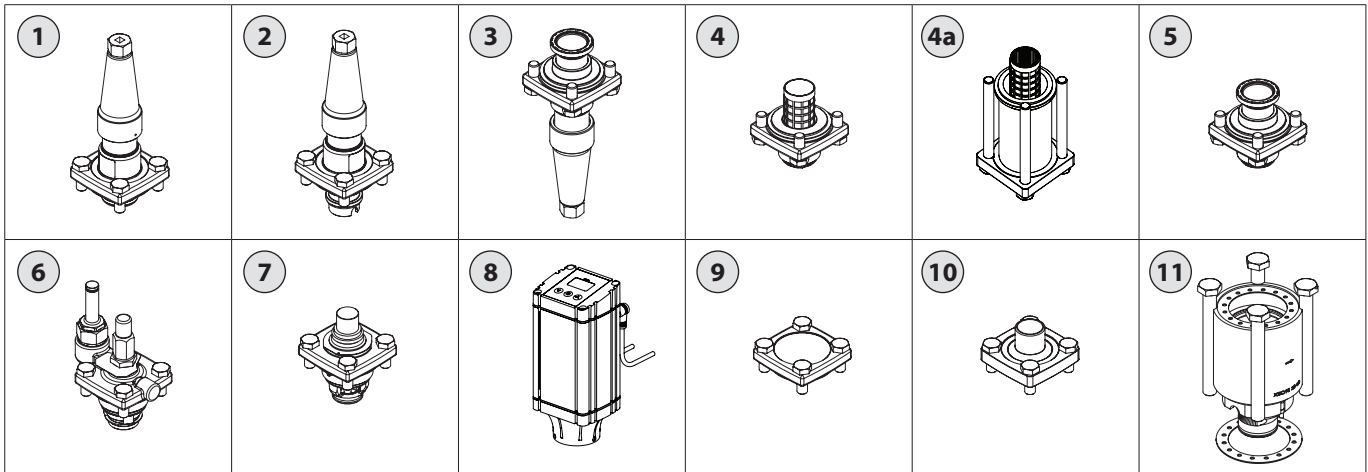
Type ICF 15, ICF EVRAT, ICF 20, ICF SS 20

| Description | Fig # | Qty. | Code no. |
|---|-------|------|----------|
| Defrost Module kit for use when ICFD installed in ICV 20 valve housing | | | |
| Orifice kit: Can be used for both ICFD 20 (ammonia) and ICFD 20C (CO ₂) | 21 | 1 | 027L6711 |
| For ICF/ICF SS side ports | | | |
| For ICF side ports: Sight glass G 3/8" (including Al.gasket) | 10 | 2 | 027L1267 |
| For ICF SS 20/25 side ports with DIN connections: Sight glass SS G 3/8" (including Al. gasket) | 10 | 2 | 027L4812 |
| For ICF SS 20/25 side ports with ANSI Sch. 40 connections: Sight glass SS 3/8 NPT (including Al.gasket) | 10 | 2 | 027L4821 |
| Nipple for side connection G 3/8" - G 1/2" (including Al.gasket, for ICF with DIN and ANSI connections only) | 11 | 2 | 027L1266 |
| Nipple for side connection G 3/8" - G 1/2" (including Al.gasket, for ICF SS) | 11 | 2 | 027L4810 |
| Blind for side connection G 3/8" (including Al.gasket, for ICF with DIN and ANSI connections only) | 12 | 2 | 027L1265 |
| Blind for side connection G 3/8" (including Al.gasket, for ICF SS) | 12 | 2 | 027L4811 |
| Sight glass NPT 3/8" (for ICF with SOC connections only) | 10 | 2 | 027L1269 |
| Blind for side connection NPT 3/8" (for ICF with SOC connections only) | 12 | 2 | 027L1268 |
| 1/2 in to DIN DN6 pipe weld connector for ICF | 15 | 2 | 148B4184 |
| 1/2 in to DIN DN6 pipe weld connector for ICF SS | 15 | 2 | 148B4689 |
| For ICF EVRAT | | | |
| Repair kit (manual opener) for all ICF EVRAT | 14 | 1 | 027L1248 |

Data sheet - Spare parts and accessories

Valve station

Type ICF 25, ICF SS 25



| Description | Fig # | Qty. | Code no. |
|--|-------|------|----------|
| Stop, Check, Stop/check and Regulating valve module | | | |
| ICFS 25 – Stop valve module | 1 | 1 | 027L2250 |
| ICFSS 25 – Stop valve module | 1 | 1 | 027L4791 |
| ICFR 25A – Manual regulating valve | 2 | 1 | 027L2254 |
| ICFR SS 25A – Manual regulating valve | 2 | 1 | 027L4792 |
| ICFR 25B – Manual regulating valve | 2 | 1 | 027L2255 |
| ICFR SS 25B – Manual regulating valve | 2 | 1 | 027L4793 |
| ICFN 25 – Stop/Check valve module | 3 | 1 | 027L2253 |
| ICFN SS 25 – Stop/Check valve module | 3 | 1 | 027L4803 |
| ICFC 25 – Check valve module | 5 | 1 | 027L2252 |
| ICFCS 25 – Check valve module | 5 | 1 | 027L4794 |
| Packing gland for ICFS 25, ICFR 25, ICFN 25 | – | 1 | 148B4037 |
| Red cap for ICFS 25 | – | 1 | 148B4076 |
| Yellow cap for ICFR 25 | – | 1 | 027L1308 |
| Green cap for ICFN 25 | – | 1 | 027L1318 |
| Handwheel for ICFS 25 | – | 1 | 148B4062 |

| Filter module | | | |
|--|----|---|----------|
| ICFF 25 – Filter module (incl. pleated insert (150 µ (100 mesh) / 160 cm ² (24.8 in ²))) | 4 | 1 | 027L2251 |
| ICFF SS 25 – Filter module (incl. pleated insert (150 µ (100 mesh) / 160 cm ² (24.8 in ²))) | 4 | 1 | 027L4795 |
| ICFF 25E – Filter module (incl. pleated insert (150µ (100 mesh) / 330 cm ² (51.2 in ²))) | 4a | 1 | 027L2299 |
| ICFF SS 25E – Filter module (incl. pleated insert (150µ (100 mesh) / 330 cm ² (51.2 in ²))) | 4a | 1 | 027L4796 |
| Filter element for ICFF 25 100 µ | – | 1 | 148H3123 |
| Filter element pleated for ICFF (25-40)E 250 µ | – | 1 | 148H3296 |
| Filter element for ICFF 25, ICFF SS 25, 150 µ - 160cm ² | – | 1 | 027L0800 |
| Filter element for ICFF 25E, ICFF SS 25E, 150 µ - 330 cm ² | – | 1 | 027L0802 |

| Description | Fig # | Qty. | Code no. |
|--|-------|------|----------|
| Solenoid valve module | | | |
| ICFE 25 – Solenoid valve module | 6 | 1 | 027L2257 |
| ICFE SS 25 – Solenoid valve module | 6 | 1 | 027L4797 |
| Motor valve module | | | |
| ICM 25-A – Motor valve module | 7 | 1 | 027H2180 |
| ICM SS 25-A – Motor valve module | 7 | 1 | 027L4798 |
| ICM 25-B – Motor valve module | 7 | 1 | 027H2181 |
| ICM SS 25-B – Motor valve module | 7 | 1 | 027L4799 |
| ICAD 600A – Actuator with 1.5 m (60 in.) cables, | 8 | 1 | 027H9075 |
| ICAD 600A – Actuator without cables | 8 | 1 | 027H9120 |
| Blank top cover and welding module | | | |
| ICFB 25 – Blank top cover | 9 | 1 | 027L2259 |
| ICFB SS 25 – Blank top cover | 9 | 1 | 027L4802 |
| ICFW 25 – Welding module 25DIN | 10 | 1 | 027L2265 |
| ICFW SS 25 – Welding module 25DIN | 10 | 1 | 027L4800 |
| ICFW 25 – Welding module 25SOC | 10 | 1 | 027L2263 |
| Pilot-operated valve module | | | |
| ICFG 25 – Pilot-operated valve module* | 11 | 1 | 027L2261 |

* For the complete ICS pilot control function, 1 ICFG 25 Pilot-operated valve module + 1 ICS 25 function module + 1 ICS 25 top cover needs to be ordered separately. ICS 25 function module and top cover, see code numbers below.

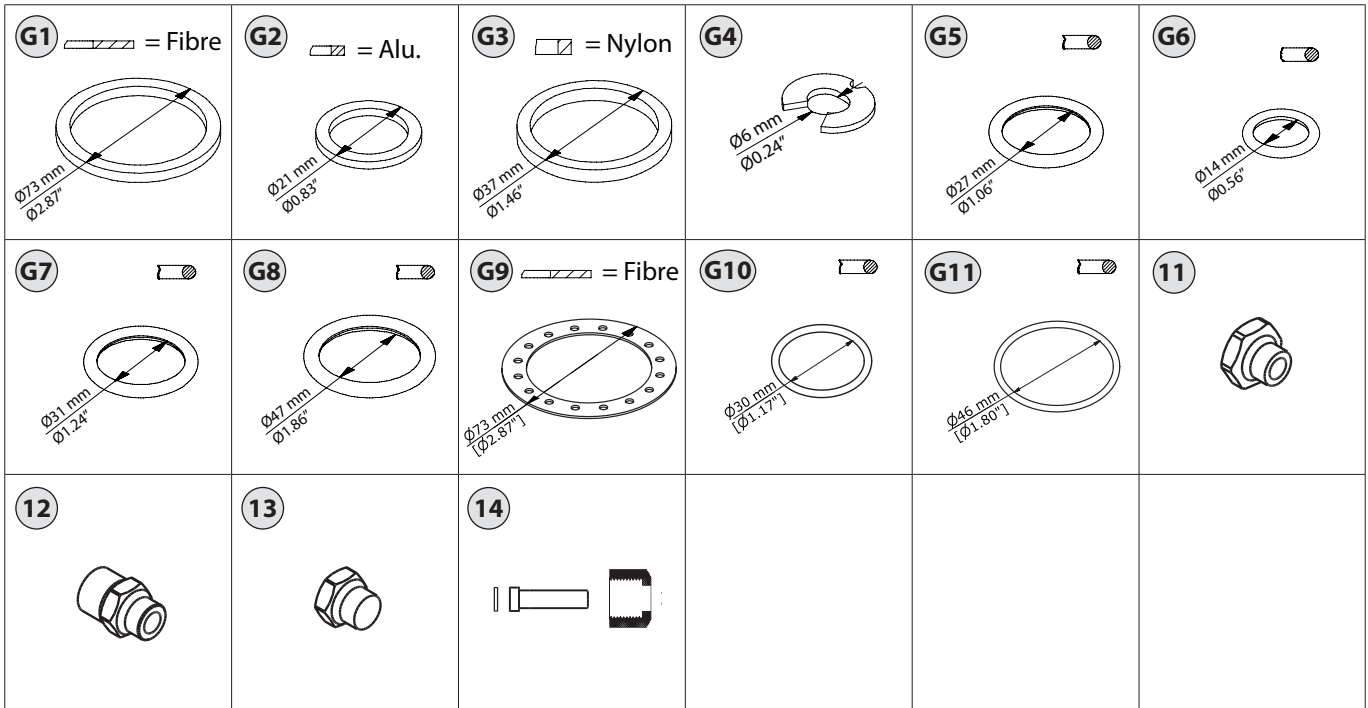
| ICS 25 function module | Description | Code Number |
|-------------------------------------|-------------|-------------|
| <p>Including gasket and O-rings</p> | ICS 25-5 | 027H2201 |
| | ICS 25-10 | 027H2202 |
| | ICS 25-15 | 027H2203 |
| | ICS 25-20 | 027H2204 |
| | ICS 25-25 | 027H2200 |

| ICS 25 top cover | Description | Code Number |
|---|--------------------|--------------|
| <p>ICS 1 ICS 3</p> | Top cover 1 Pilot | 027H2172 *) |
| | Top cover 3 Pilots | 027H2173 **) |
| *) Including bolts **) including bolts and one blanking plug | | |

Data sheet - Spare parts and accessories

Valve station

Type ICF 25, ICF SS 25



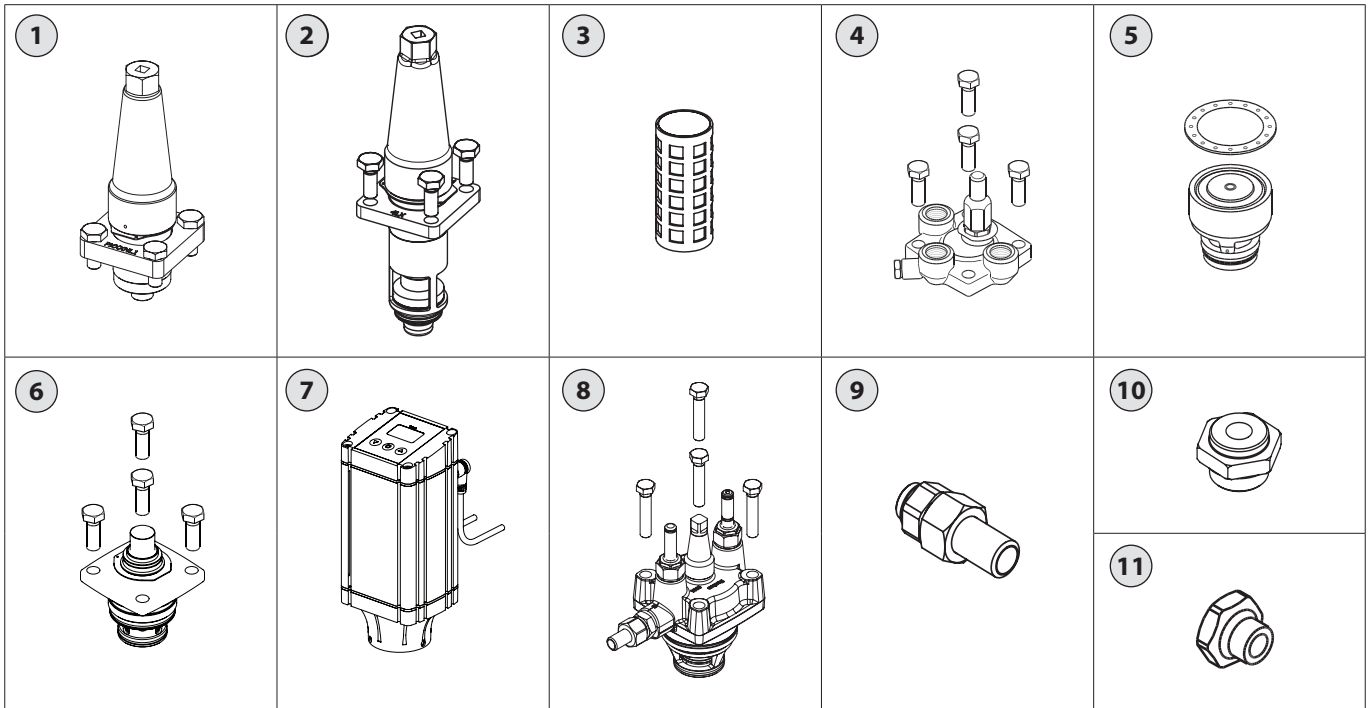
| Description | Fig # | Qty. | Code no. | |
|---|-------|------|----------|--|
| Gaskets and O-rings for ICF 25/ICF SS 25 | | | | |
| Flat gasket bonnet-flange | G1 | 6 | 027L2260 | |
| Stop, reg and stop-check valves | | | | |
| Gasket for a cap | G3 | 3 | | |
| O-ring for check valve | G5 | 1 | | |
| Solenoid valve module | | | | |
| O-ring for armature | G6 | 1 | | |
| O-ring for insert | G8 | 1 | | |
| O-ring for inserts (small) | G7 | 1 | | |
| Locking ring | G4 | 2 | | |
| ICM | | | | |
| O-ring for insert | G8 | 1 | | |
| O-ring for inserts (small) | G7 | 1 | | |
| Side ports | | | | |
| Al-gaskets | G2 | 2 | | |
| Pilot-operated valve module | | | | |
| Flat gasket bonnet/top cover flange | G9 | 2 | | |
| O-ring for alu-part small | G10 | 2 | | |
| O-ring for alu-part large | G11 | 1 | | |

| Description | Fig # | Qty. | Code no. |
|--|-------|------|----------|
| For ICF/ICF SS side ports | | | |
| For ICF side ports: Sight glass G 3/8" (including Al.gasket, for ICF with DIN and ANSI connections only) | 11 | 2 | 027L1267 |
| For ICF SS 20/25 side ports with DIN connections: Sight glass SS G 3/8" (including Al. gasket) | 11 | 2 | 027L4812 |
| For ICF SS 20/25 side ports with ANSI Sch. 40 connections: Sight glass SS 3/8 NPT (including Al. gasket) | 11 | 2 | 027L4821 |
| Nippel for side connection G 3/8" - G 1/2" (including Al.gasket, for ICF with DIN and ANSI connections only) | 12 | 2 | 027L1266 |
| Nippel for side connection G 3/8" - G 1/2" (including Al.gasket, for ICF SS) | 12 | 2 | 027L4810 |
| Blind for side connection G 3/8" (including Al.gasket, for ICF with DIN and ANSI connections only) | 13 | 2 | 027L1265 |
| Blind for side connection G 3/8" (including Al.gasket, for ICF SS) | 13 | 2 | 027L4811 |
| Sight glass NPT 3/8" (for ICF with SOC connections only) | 11 | 2 | 027L1269 |
| Blind for side connection NPT 3/8" (for ICF with SOC connections only) | 13 | 2 | 027L1268 |
| 1/2 in. to DIN DN6 pipe weld connector for ICF | 14 | 2 | 148B4184 |
| 1/2 in. to DIN DN6 pipe weld connector for ICF SS | 14 | 2 | 148B4689 |

Data sheet - Spare parts and accessories

Valve station

Type ICF 50, ICF 65



| Description | Fig # | Qty. | Code no. |
|--|-------|------|----------|
| Shut-off valve module | | | |
| SVA-S 50 – Stop valve module | 1 | 1 | 148B5728 |
| SVA-S 65 – Stop valve module | 1 | 1 | 148B5822 |
| Manual regulating valve module | | | |
| REG-SB 50 – Manual regulating module | 2 | 1 | 148B5734 |
| REG-SB 65 – Manual regulating module | 2 | 1 | 148B5824 |
| Strainer insert (50) | | | |
| Filter element 100µ (150 mesh) | 3 | 1 | 148H3157 |
| Filter element 150µ (100 mesh) | 3 | 1 | 148H3130 |
| Filter element 250µ (72 mesh) | 3 | 1 | 148H3138 |
| Filter element 500µ (38 mesh) | 3 | 1 | 148H3144 |
| Pleated filter element 150µ (100 mesh) | 3 | 1 | 148H3179 |
| Pleated filter element 250µ (72 mesh) | 3 | 1 | 148H3184 |
| Pleated filter element 500µ (38 mesh) | 3 | 1 | 148H3189 |
| Pilot operated valve module | | | |
| ICS 50 – Top cover 3 pilots | 4 | 1 | 027H5173 |
| ICS 65 – Top cover 3 pilots | 4 | 1 | 027H6173 |
| ICS 50 – Function module | 5 | 1 | 027H5200 |
| ICS 50-32 – Function module | 5 | 1 | 027H5211 |
| ICS 50-40 – Function module | 5 | 1 | 027H5212 |
| ICS 65 – Function module | 5 | 1 | 027H6200 |
| ICS 65-40 – Function module | 5 | 1 | 027H6212 |
| ICS 80 – Function module | 5 | 1 | 027H8200 |

| Description | Fig # | Qty. | Code no. |
|--|-------|------|-----------|
| Motor operated valve module | | | |
| ICM 50-A – Motor valve module | 6 | 1 | 027H5180 |
| ICM 50-B – Motor valve module | 6 | 1 | 027H5181 |
| ICM 65-A – Motor valve module | 6 | 1 | 027H6180 |
| ICM 65-B – Motor valve module | 6 | 1 | 027H6181 |
| ICAD 1200A – Actuator with 1.5 m (60 in.) cables | 7 | 1 | 027H9077 |
| ICAD 1200A – Actuator without cables | 7 | 1 | 027H9122 |
| 2-step solenoid valve module | | | |
| ICLX 50 – 2-step solenoid valve module | 8 | 1 | 027H5204* |
| ICLX 65 – 2-step solenoid valve module | 8 | 1 | 027H6204* |
| Welding connections | | | |
| M33 to DIN 25 mm Pipe | 9 | 1 | 027H5544 |
| M33 to ANSI 1 in. Pipe | 9 | 1 | 027H5546 |
| Defrost drain connection kit | | | |
| M33 - G 3/8 in. | 10 | 1 | 027H5547 |
| M33 - NPT 3/8 in. | 10 | 1 | 027H5548 |
| Defrost drain blind plug | | | |
| M33 x 1.5 in. | 11 | 2 | 148F1111 |

* Including external pilot connection, damping orifice and NC/NO pilot valves.
Not assembled.

For ordering of Inspection kits, Repair kits and Overhaul kits for the ICF 50/65 control modules; please refer to the spare parts and accessories data sheet for ICS, ICM and ICLX (AI245486497115).

For ordering of Inspection kits, Repair kits and Overhaul kits for the ICF 50/65 Stop-, Regulating-, Filter-, Check- and Stop/Check modules please refer to the spare parts and accessories data sheet for SVL Flexline (AI198786421038).

