

Data Sheet

Temperature sensor
Type **MBT 5310**

For monitoring of bearing temperatures in Wind turbines, engines and gearboxes applications



The MBT 5310 temperature sensor series is specially designed for measuring the temperature in bearings where there is a risk of overheating.

To get a very short reaction time the measuring element is placed in a way to secure a reaction time of down to $t_{0.5} = 6$ sec. in water.

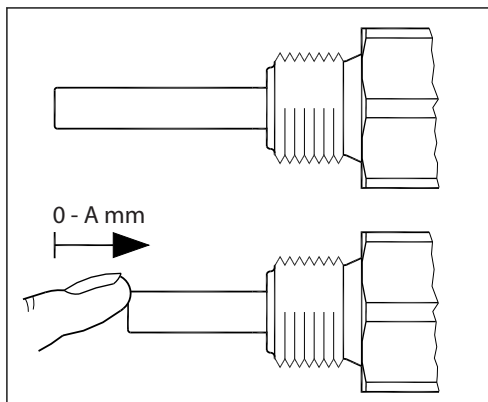
The sensor is fitted with an adjustable spring loaded protection tube which ensures metallic contact between bearing and sensor at all times.

Features

- For monitoring of bearing temperatures where there is risk of overheating, in applications such as:
 - Wind Turbines
 - Engines
 - Gearboxes
- Based on Pt 100 / Pt 1000 technology for use up to 200 °C
- Spring loaded to ensure good contact with the bearing

Functions

Spring function



Brass process connection

A = 15 mm

Stainless steel process connection

A = 12 mm

Product specification

Technical Data

Table 1: General data

Measuring range	-50 – 200 °C
Sensing element	Pt 100, Pt 1000
Protection tube	ø8 × 1 mm

Table 2: Response time

Protection tube	Indicative response times			
	Water 0.2 m/s		Air 1 m/s	
	$t_{0,5}$	$t_{0,9}$	$t_{0,5}$	$t_{0,9}$
ø8 × 1 mm	6 s	20 s	35 s	140 s

Table 3: Materials

Protection tube in contact with the media	AISI 316
O-ring	FPM
Nut	Nickel plated brass
Process connection	AISI 316 / Brass
Gasket	Silicone
Plug EN 175301-803-A	PA (max. 125 °C)
B-head	Die cast aluminium

Table 4: Mechanical and environmental specifications

Sensor tolerance	EN 60751 Class B: $\pm (0.3 \text{ °C} + 0.005 \times t)$ t = temperature of medium, numerical value	
Vibration stability	Shock	100 g/6 ms
	Vibrations	4 g sine function 2 – 100 Hz, acc. to IEC 60068-2-6
Enclosure	IP65 according to IEC 60529	
B-head	Pg 11	
Plug EN 175301-803-A	Pg 9, Pg 11	

Technical Data Drawings

Figure 1: Dimensions [mm]

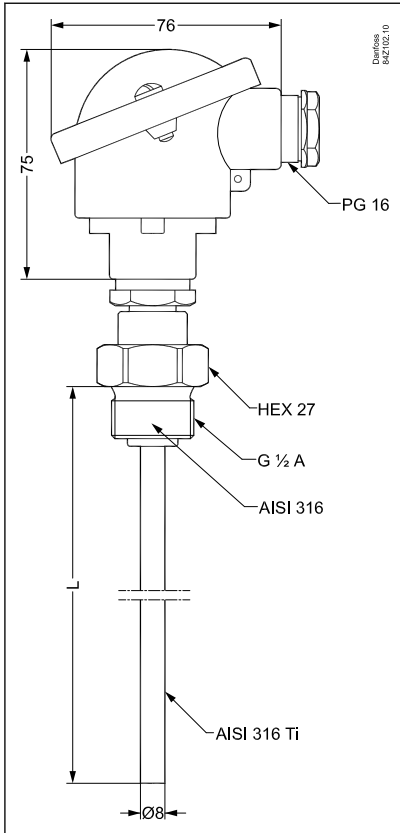
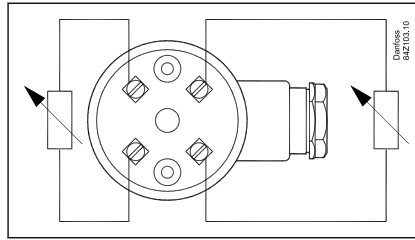
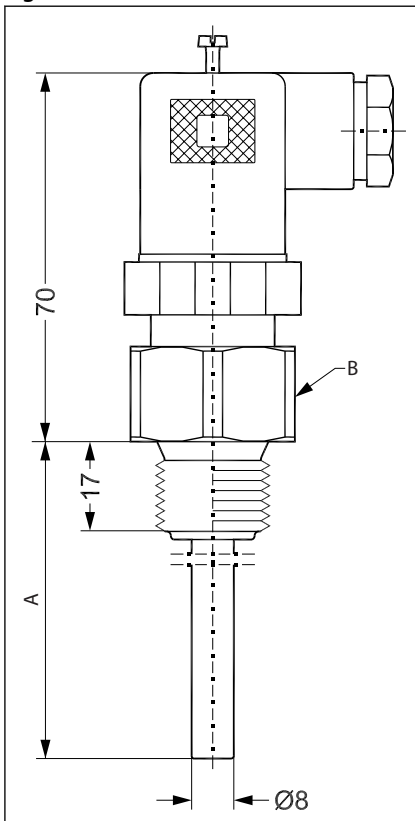


Figure 2: Electrical connection



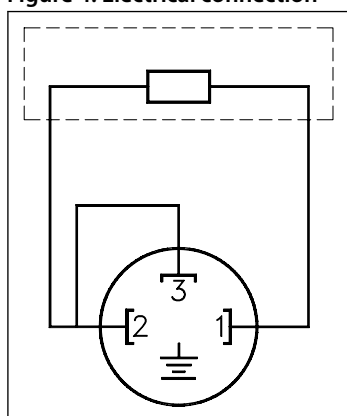
Electrical connection and dimensions

Figure 3: Dimensions



- | | |
|---|----------------------------|
| A | Insertion length, variable |
| B | Stainless or Brass |

Figure 4: Electrical connection



2	wire
3	terminals

Ground not connected

Technical data Cable version

Table 5: General data

Measuring range	-50 – 200 °C
Sensing element	Pt 100, Pt 1000
Protection tube	ø8 × 1 mm

Table 6: Response time

Protection tube	Indicative response times			
	Water 0.2 m/s		Air 1 m/s	
	$t_{0.5}$	$t_{0.9}$	$t_{0.5}$	$t_{0.9}$
ø8 × 1 mm	6 s	20 s	35 s	140 s

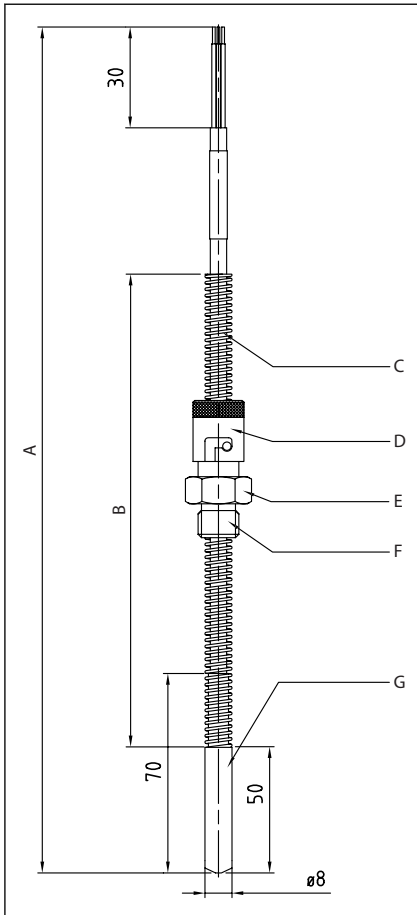
Table 7: Materials

Protection tube in contact with the media	AISI 316
Spring material	Stainless steel
Cable	FEP or Polyolefin, depending on selection
Process connection, bayonet	AISI 316

Table 8: Mechanical and environmental specifications

Sensor tolerance		EN 60751 Class B: $\pm (0.3 \text{ °C} + 0.005 \times t)$ t = temperature of medium, numerical value
Vibration stability	Shock	100 g/6 ms
	Vibrations	4 g sine function 2 – 100 Hz, acc. to IEC 60068-2-6
	Enclosure	IP67 according to IEC 60529

Cable Dimensions [mm]



A	Total length
B	Insertion length
C	Spring: Stainless steel
D	Bayonet cap: Stainless steel 316
E	Hex 17
F	2 Pin adapter G1/4A: Stainless steel 316
G	Bayonet tip: Stainless steel 316

Ordering standard cable version

Type MBT 5310

Resistance value	Protection Tube, Stainless Steel / Brass	Insertion length	Cable length	Cable type	Tolerance	Process connection	Electrical Connections
1 × Pt 100	Acid-proof steel, ø8 × 1 mm	100 mm	0100	None	EN 60751 Class B	Bayonet coupling	2-Wire
2 × Pt 100 ¹⁾	Acid-proof steel, ø10 × 2 mm	300 mm	0500	FEP cable	Other	Other	3-Wire (only 1 × element)
1 × Pt 1000	Acid-proof steel, ø12 × 1 mm	xxx mm	1000	Polyolefin cable			4-Wire (only 1 × element)
2 × Pt 1000 ¹⁾	Other		xxxx	Other			Other
Other							

Preferred versions

¹⁾ Not all electrical connections are possible

Certificates, declarations, and approvals

The list contains all certificates, declarations, and approvals for this product type. Individual code number may have some or all of these approvals, and certain local approvals may not appear on the list.

Some approvals may change over time. You can check the most current status at danfoss.com or contact your local Danfoss representative if you have any questions.

Table 9: Certificates and declarations

File name	Document type	Document topic	Approval authority
060G9688.00	Manufacturers Declaration	-	Danfoss
097R0004.01	Manufacturers Declaration	RoHS	Danfoss
UA.10146.D.00075-19	UA Declaration	EMCD/LVD	LLC CDC EURO TYSK
084R1022.01	Manufacturers Declaration	China RoHS	Danfoss
087R0017.00	Manufacturers Declaration	Simple apparatus	Danfoss

Online support

Danfoss offers a wide range of support along with our products, including digital product information, software, mobile apps, and expert guidance. See the possibilities below.

The Danfoss Product Store



The Danfoss Product Store is your one-stop shop for everything product related—no matter where you are in the world or what area of the cooling industry you work in. Get quick access to essential information like product specs, code numbers, technical documentation, certifications, accessories, and more.

Start browsing at store.danfoss.com.

Find technical documentation



Find the technical documentation you need to get your project up and running. Get direct access to our official collection of data sheets, certificates and declarations, manuals and guides, 3D models and drawings, case stories, brochures, and much more.

Start searching now at www.danfoss.com/en/service-and-support/documentation.

Danfoss Learning



Danfoss Learning is a free online learning platform. It features courses and materials specifically designed to help engineers, installers, service technicians, and wholesalers better understand the products, applications, industry topics, and trends that will help you do your job better.

Create your Danfoss Learning account for free at www.danfoss.com/en/service-and-support/learning.

Get local information and support



Local Danfoss websites are the main sources for help and information about our company and products. Find product availability, get the latest regional news, or connect with a nearby expert—all in your own language.

Find your local Danfoss website here: www.danfoss.com/en/choose-region.

Spare Parts



Get access to the Danfoss spare parts and service kit catalog right from your smartphone. The app contains a wide range of components for air conditioning and refrigeration applications, such as valves, strainers, pressure switches, and sensors.

Download the Spare Parts app for free at www.danfoss.com/en/service-and-support/downloads.