

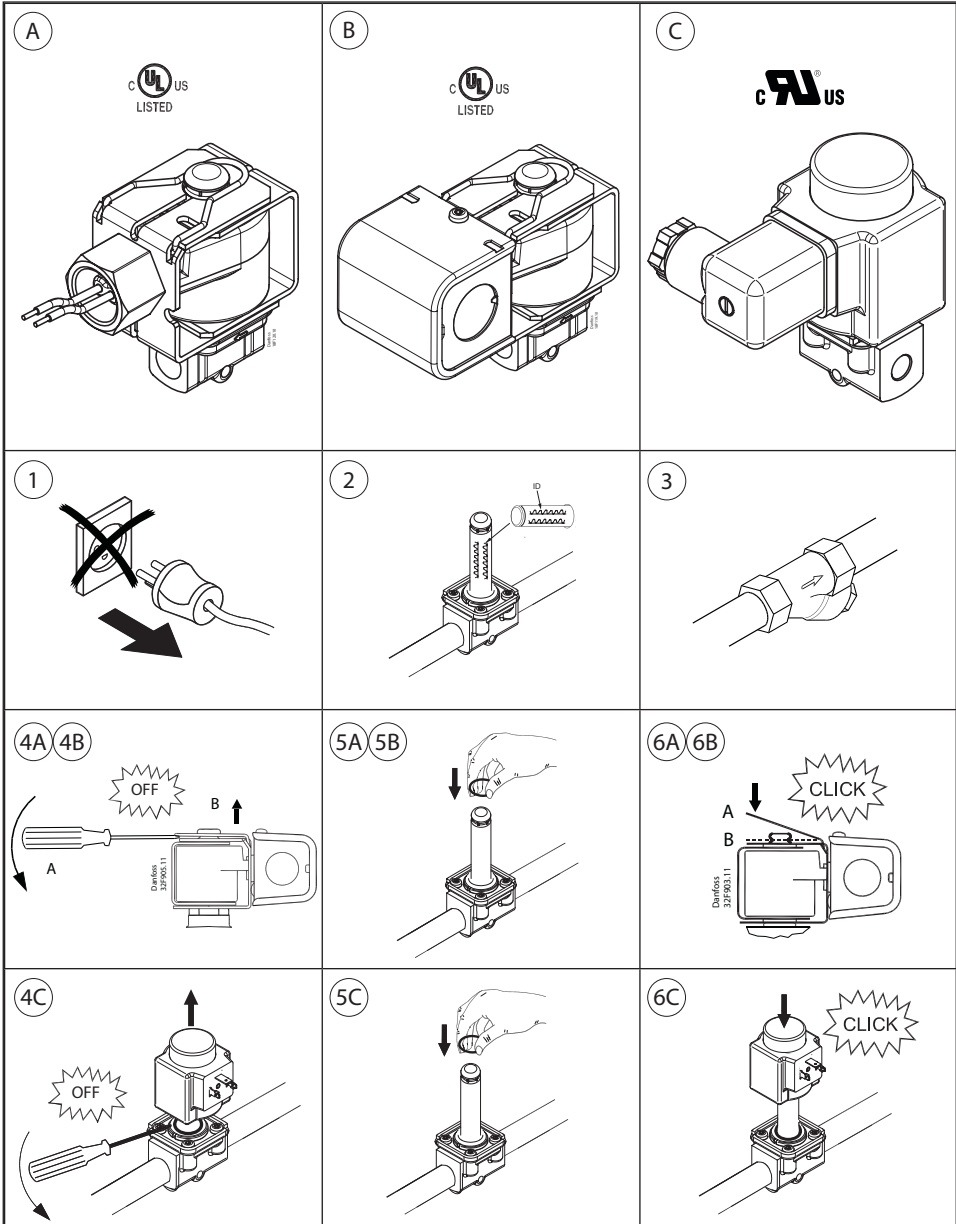
Installation guide

Solenoid valve

Type EV210B

032R9327

032R9327



7

8

9

10

11

12

13

14

15

16

DN	MWP		Max. test pressure PT	
	[bar]	[psi]	[bar]	[psi]
1.5 - 4.5	34.5	500	50	725
6 - 10	24.1	350	35	510

Visit www.products.danfoss.com for further technical data

2 | © Danfoss | DCS (rja) | 2016-06

IC.PI.200.N4.22