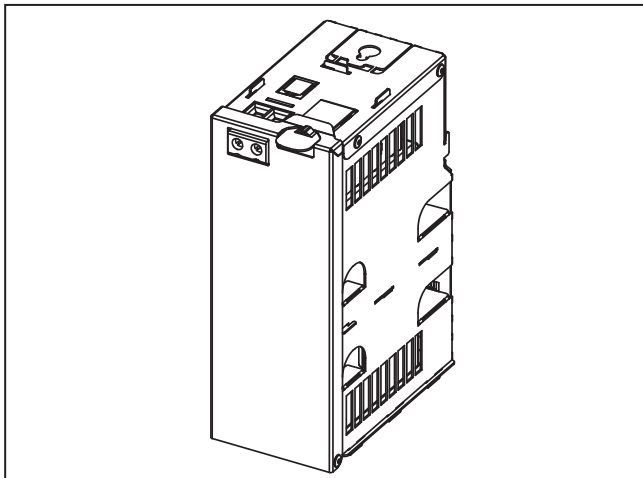


# SPUBAT DIN Rail Battery Rack

CARLO GAVAZZI



- DIN Rail Rack for batteries
- Available with VRLA battery
- Supports for wall mounting
- Easy battery access
- IP20
- Built in terminals

## Ordering Key

**SPUBAT 24 1A2**

DIN Rail Rack \_\_\_\_\_  
 Battery Voltage (if present)<sup>1</sup> \_\_\_\_\_  
 Battery capacity rack size \_\_\_\_\_

<sup>1</sup> When battery voltage is not present the rack is without battery

## Product Description

SPUBAT is a series of metal racks that facilitate the battery mounting next to the UPS, either on the DIN rail or wall mounted. SPUBAT can be delivered with the battery already installed, or as an empty rack for other battery types selected by the installer. Standard battery type is AGM Valve Regulated Lead Acid (VRLA). It requires no maintenance and

can be mounted in any position. This type of batteries are ideal for applications where it is required high starting current. They also have extreme resistance to charge / discharge cycles. Body is very robust, stainless steel made. It is equipped with connection terminals for fast connection and disconnection in case of need.

## Approvals



**Accessory:** Protection Fuse Flat Type Mini 25 A

## Technical Data

<b>Nominal voltage</b>	24V
<b>Battery capacity</b>	
1A2	1.2Ah
3A2	3.2Ah
7A2	7.2Ah

<b>Battery type</b>	AGM VRLA
<b>Protection fuse</b>	Flat type mini 25A
<b>Recovery fuse</b>	Flat type mini 25A

## Charging

<b>End of charge voltage (trickle)</b>	
@20°C	27.5VDC
@30°C	26.8VDC
@40°C	26.1VDC
<b>Max Charging current</b>	
1A2	0.36A
3A2	0.9A
7A2	2.16A

## Discharging

<b>Max discharging current</b>	25A
<b>Self discharge at 20°C</b>	15%/month

## Norms and Certification

<b>CE</b>	According to EMC directive 2004/108/EC and Low voltage directive 2006/95/EC
-----------	---

## General Data

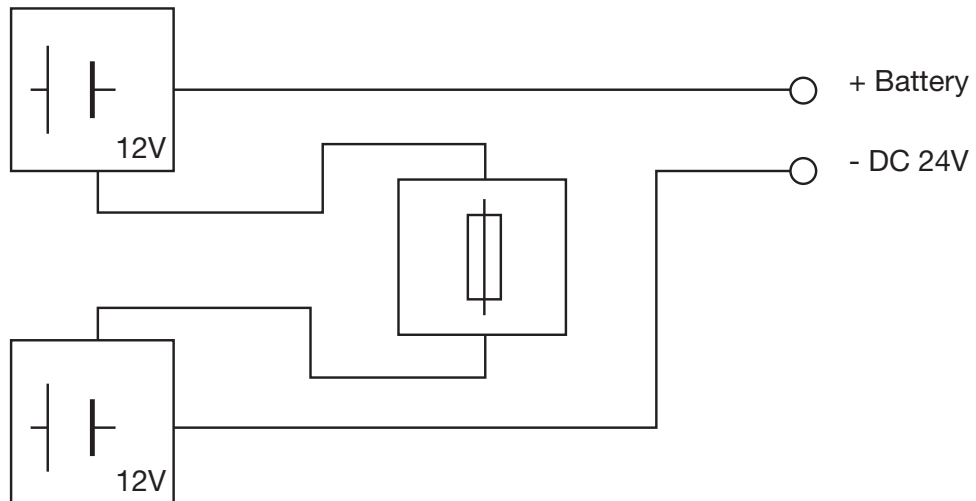
<b>Protection degree EN/IEC 60529</b>	IP20
<b>Protection class</b>	III
<b>Screw terminals connection Threaded wire</b>	0.5-16 mm <sup>2</sup> / AWG 20 to AWG 6
<b>Dimension (WxHxD)</b>	See table p. 3

<b>Weight</b>	See table p. 3
<b>DIN Rail Mounting</b>	Yes
<b>Wall mounting</b>	Yes
<b>Ambient temperature op:</b>	0 ... 40°C
<b>Temperature storage</b>	0 ... 40°C
<b>Humidity at 25°C, no condensation</b>	95%

## Buffering Time (min.)

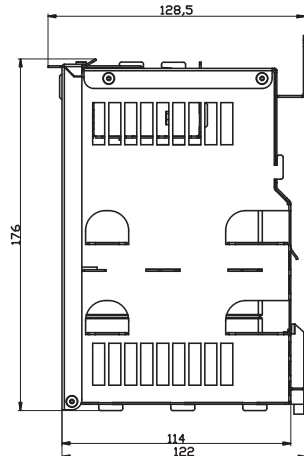
Battery type	1A2	3A2	7A2	12 Ah
Load 1.5 A	20	60	200	400
Load 3 A	8	30	120	240
Load 5 A	3	15	55	100
Load 7.5 A	2	10	30	60
Load 10 A	No	7	20	45
Load 12 A	No	3	12	30
Load 15 A	No	No	9	20
Load 20 A	No	No	7	13

## Internal Electrical Diagram

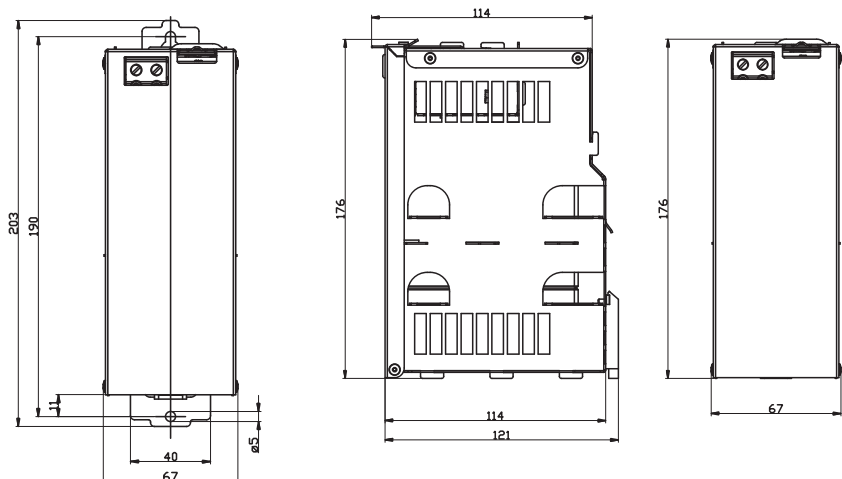


## Dimensions SPUBAT 241A2

Wall Mount



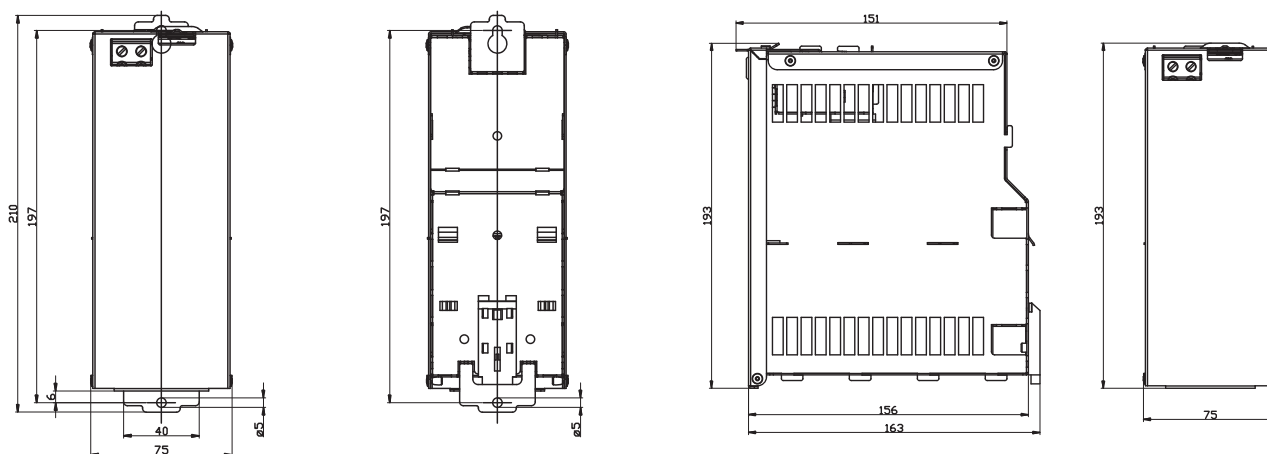
DIN Rail Mount



## Dimensions SPUBAT 243A2

Wall Mount

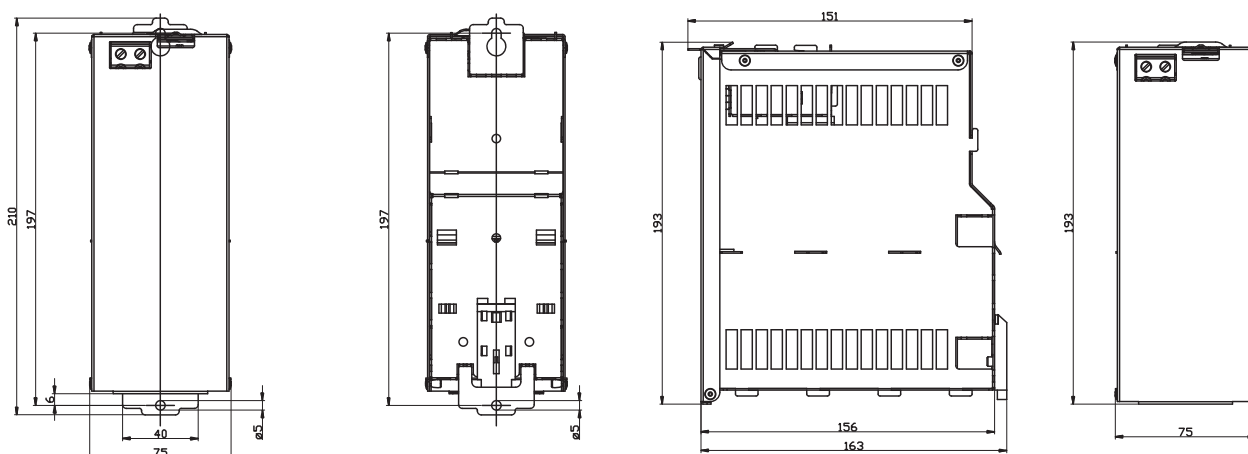
DIN Rail Mount



## Dimensions SPUBAT 247A2

Wall Mount

DIN Rail Mount



## Dimensiond & Weight Table

Model	Dimensions W x H x D	Weight
SPUBAT241A2	61 x 176 x 122 mm	1.7 Kg
SPUBAT243A4	75 x 193 x 164 mm	3.5 Kg
SPUBAT247A2	139 x 203 x 123 mm	4.5 Kg