

Fig. 3: Scope of delivery

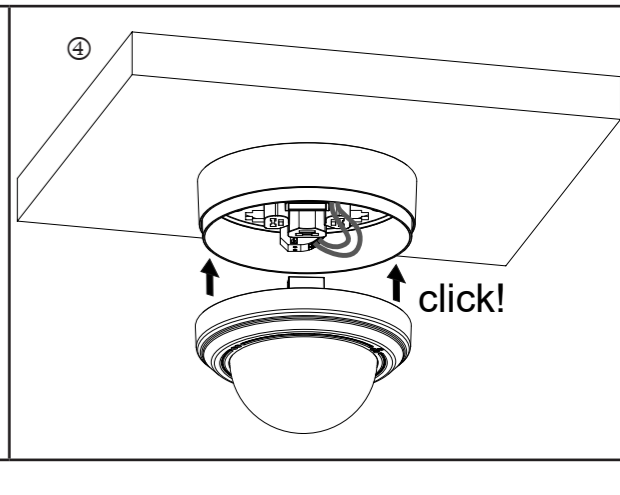
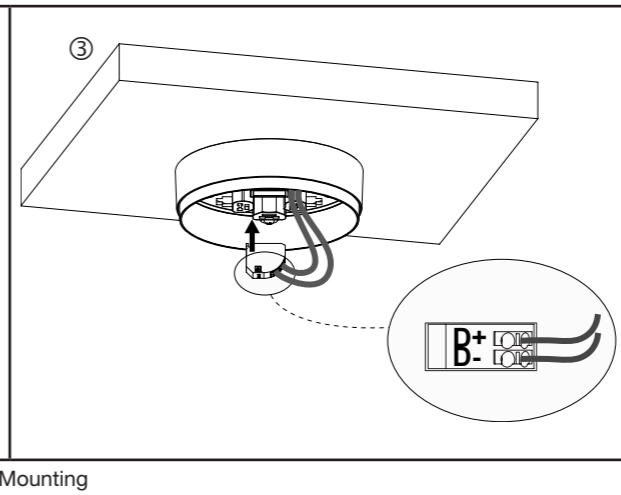
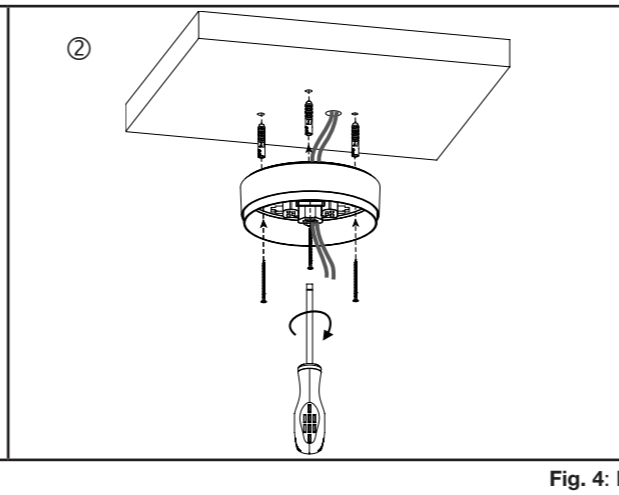
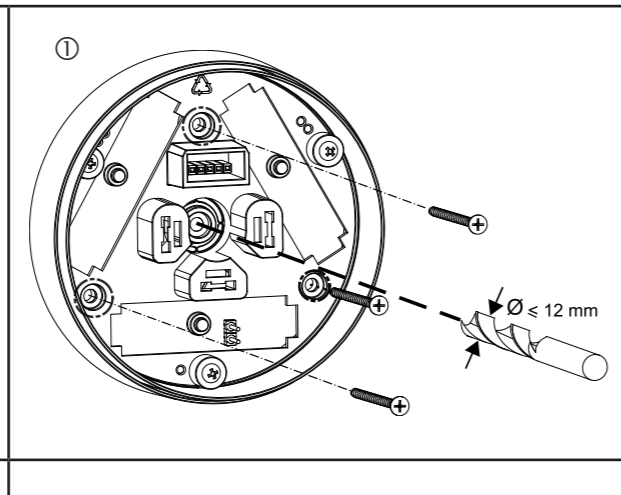


Fig. 4: Mounting

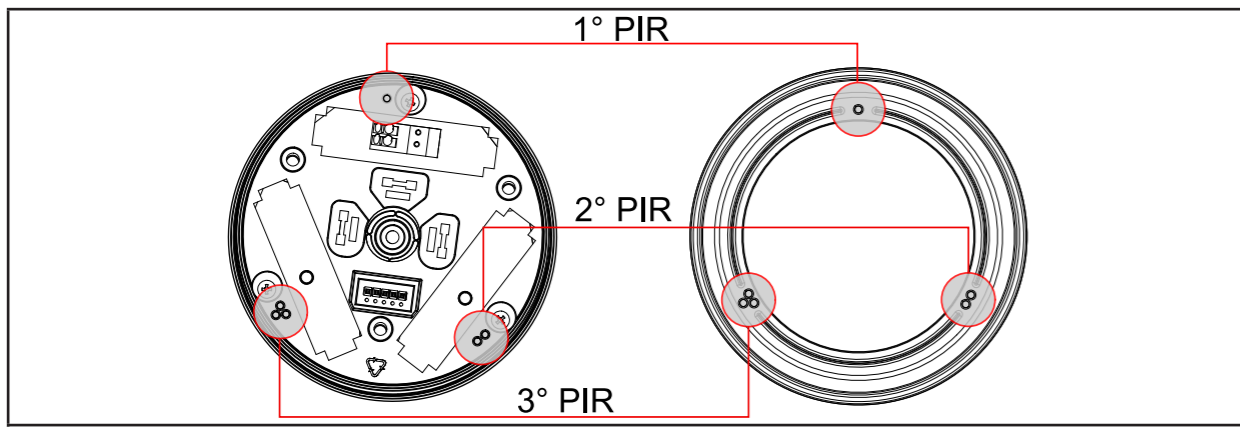


Fig. 5: Sensors position



Fig. 6: Three enabled sensors



Fig. 7: Two enabled sensors



Fig. 8: One enabled sensor

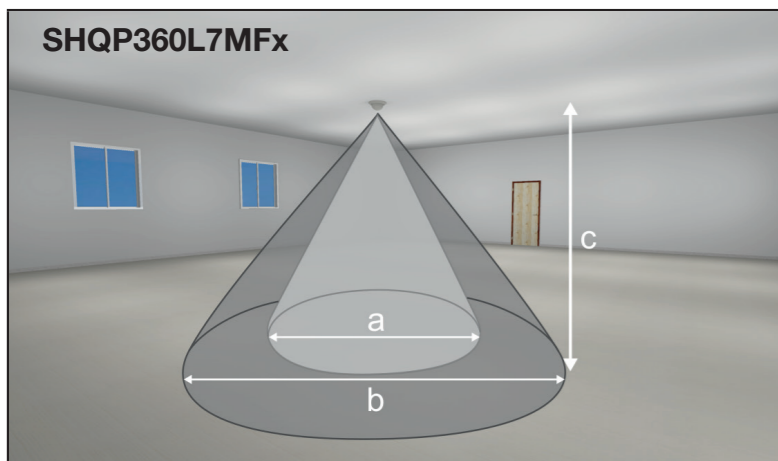


Fig. 9: Detection area

Height (c)	Presence (a)	Movement (b)
2.4 m	5 m	12 m
2.7 m - 3 m	5 m	14 m

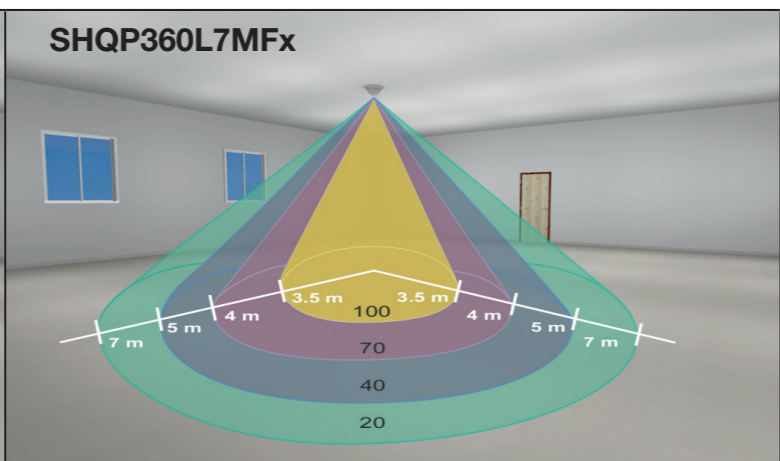


Fig. 10: Detection area vs. sensitivity

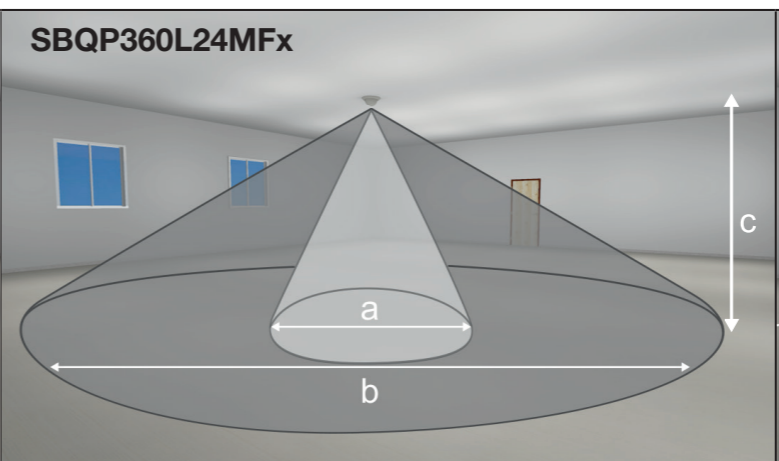


Fig. 11: Detection area

Height (c)	Presence (a)	Movement (b)
2 m	5 m	20 m
2.4 m	5 m	22 m
2.7 m - 3 m	5 m	24 m
4 m	5 m	26 m

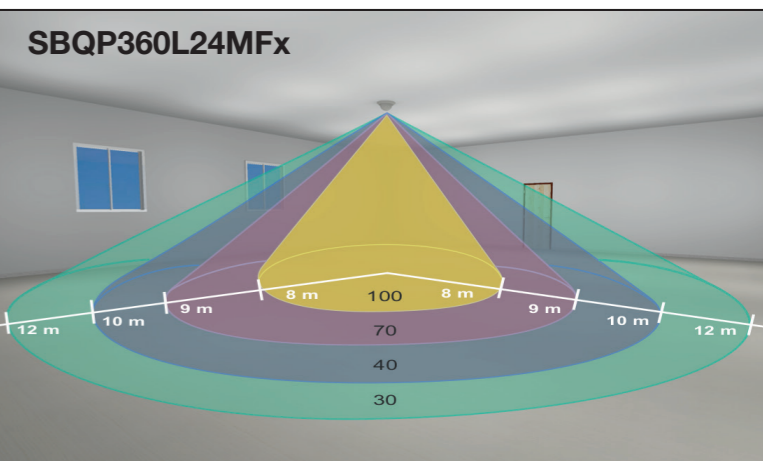


Fig. 12: Detection area vs. sensitivity