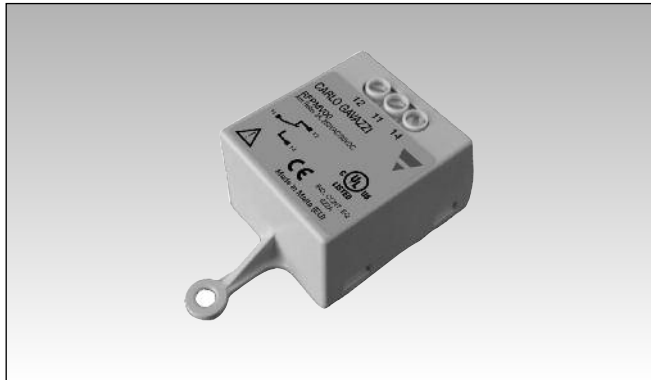


Motor Controllers Front Mounted Plug In module Type RFPMV..



- Auxiliary alarm relay output plug-in module
- Compact and lightweight design
- RoHs compliant
- Simple to install
- CE
- UL, cUL Listed (Accessory of Listed RSBT)

Product Specification

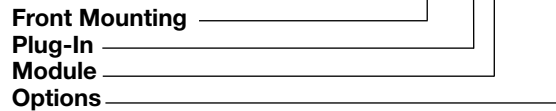
Product Description

RFPM is an extremely compact, front-mounting plug-in relay output module for RSBT softstarter. RFPM provides a relay output for the alarms

generated by RSBT softstarter via a Normally Open (NO) or Normally Closed (NC) changeover contact.

Ordering Key

RF PM V00



Type Selection

Type	Options
RFPM: Auxiliary relay output plug-in module	V00 : Alarm Output with 1 relay contact

General Specifications

Operating temperature	-20°C to +60°C (-4°F to +140°F)
Storage temperature	-40°C to +85°C (-58°F to +185°F)
Relative Humidity	<95% Non-Condensing
Protection coordination	Class 10
Pollution Degree	2
Dimensions (DxWxH)	22.5 x 30 x 56mm

Control Input Specifications

Control type	Electromechanical relay
Number of relays	1

Output Specifications

Utilization category	AC-15
----------------------	-------

Supply Specifications

Supply Voltage	Supplied internally from RSBT terminal
----------------	--

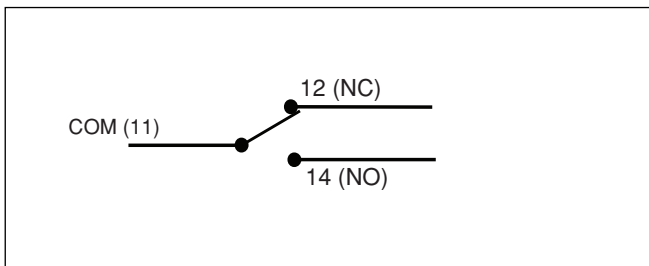
Relay Specifications

Relay configuration	Common, Normally Open (NO), Normally Closed (NC), Changeover
Contact Rating	3A, 250VAC 3A, 30VDC

Standards

Approvals	UL, cUL Listed (E172877)
Marking	CE
LVD	IEC / EN 60947-5-1
EMC: Immunity	IEC / EN 61000-6-4
Emission	IEC / EN 61000-6-2
RoHS Compliance	YES
Electrostatic Discharge (ESD) Immunity	IEC / EN 61000-4-2 8kV, PC2 Air discharge 4kV, PC2 Contact

Functional Diagram



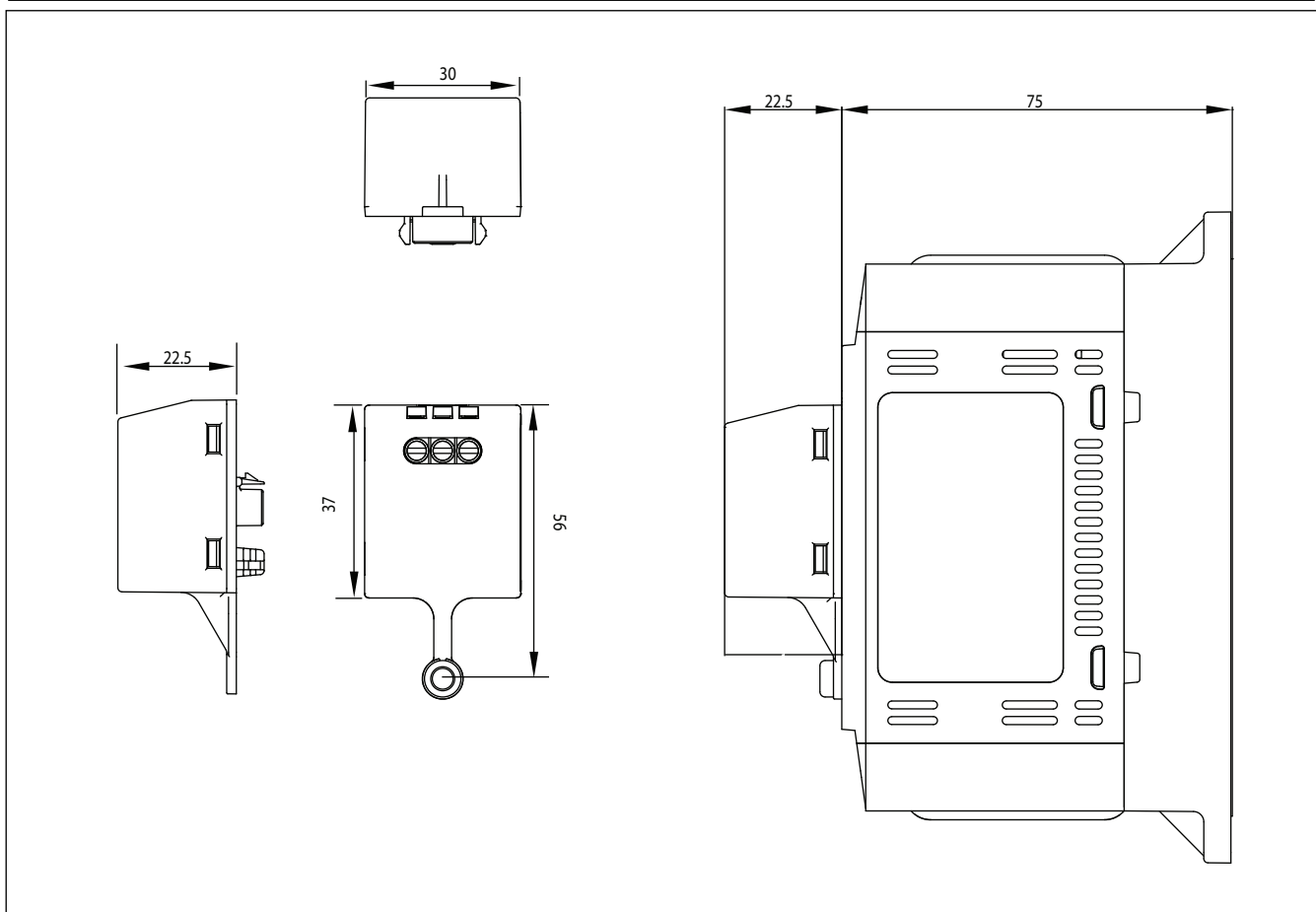
Housing Specifications

Weight	35g (approx.)
Housing material	PA66
Housing colour	RAL7035
Protection category	IP20

Conductor Data

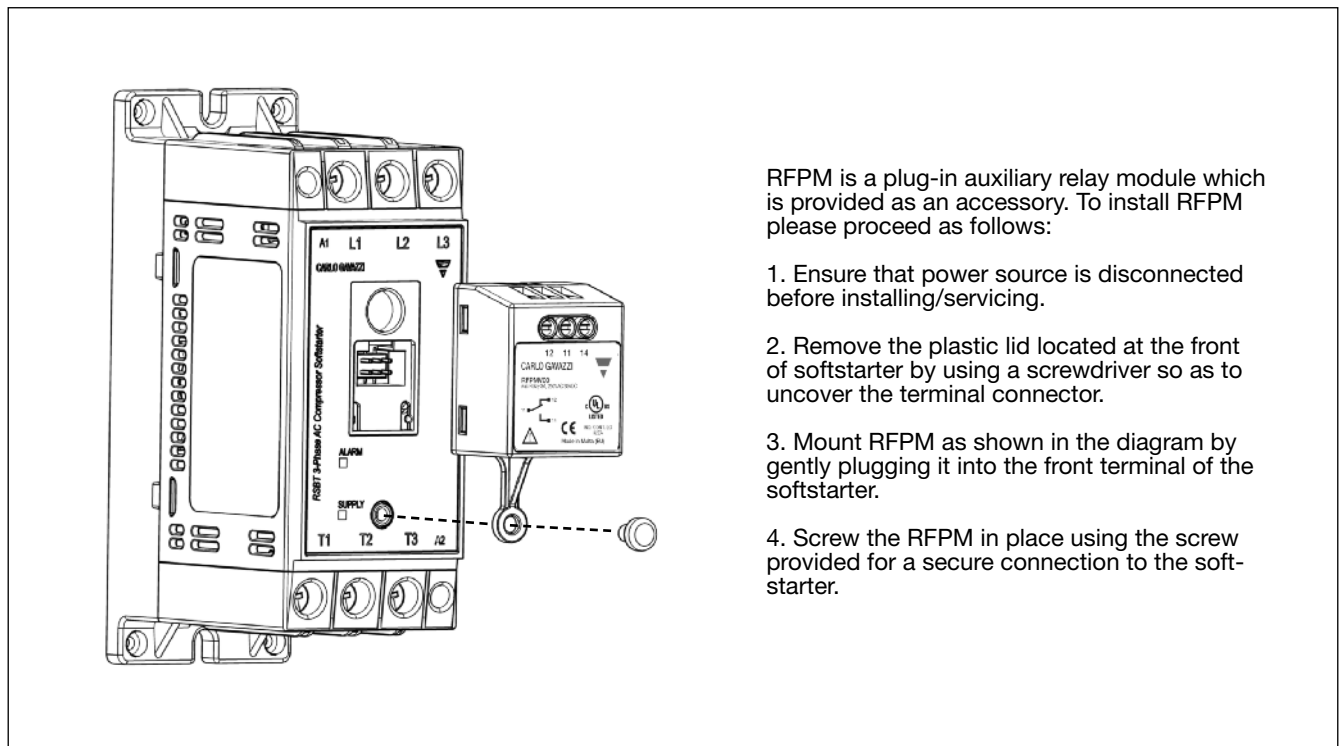
Output terminals	
Screw type (11,12,14)	M2.5
Max. Tightening torque	0.45Nm (4.0 lb.in)
Stripping length	6.0 mm
Max. cross sectional area of cable (stranded) (11,12,14)	0.2 - 2.5mm ²
Max. cross sectional area of cable (solid) (11,12,14)	0.2 - 4mm ²
UL/ cUL rated data	
Rigid (solid or stranded)	AWG 24 12

Dimensions



All dimensions in mm

Mounting Instructions



RFPM is a plug-in auxiliary relay module which is provided as an accessory. To install RFPM please proceed as follows:

1. Ensure that power source is disconnected before installing/servicing.
2. Remove the plastic lid located at the front of softstarter by using a screwdriver so as to uncover the terminal connector.
3. Mount RFPM as shown in the diagram by gently plugging it into the front terminal of the softstarter.
4. Screw the RFPM in place using the screw provided for a secure connection to the softstarter.

Mode of Operation

When connected to RSBT front terminal, RFPM relay contact will operate as shown in the table hereunder.

During an alarm condition, signalled by RSBT, the RFPM relay contact will switch OFF to position 11/12.

In the event of supply phase loss, RFPM relay contact will be switched to OFF position 11/12.

During Idle and Bypass modes, relay contact will be switched ON to position 11/14.

Condition	Relay Contact
Incorrect Phase Sequence	11/12
Line Voltage Out of Range	11/12
Frequency Out of Range	11/12
Locked Rotor Condition (during ramping)	11/12
Ramp Up Time > 1 sec	11/12
Over Temperature	11/12
Over Current (during bypass)	11/12
Supply Voltage Unbalance	11/12
Supply Phase Loss	11/12
RSBT in Ramping mode	11/12
RSBT in Idle State	11/14
RSBT in Bypass mode	11/14