

Dimmer, 2 x 230 W Output



BH4-D230W2-230



- Switching and dimming of lamps
- 8 control-channel receiver
- Negative or positive phase angle dimming
- For DIN-rail mounting
- LED-indications for alarm, smart-house carrier and output
- Lamp-protective soft-start function
- Channel coding by BGP-COD-BAT
- 4 lighting scenes
- Transmits the status of the dimming output
- Protected against short-circuit and overload
- Buttons on the front for manual control of the dimmer
- Switch for selecting scenarios lock/unlock on the front
- Output is shortcircuit /overload protected

OUTPUT SPECIFICATIONS

Outputs	2		
Dimming capacity	2 x 230 W		transformer and 90% on the lamps.
	Note: The 230 W is the total load on the output. Do not use the dimmer with traditional transformers. If the installation uses an electronic transformer, the load is typically 10% on the	Rated operational voltage	230 VAC ±10%
		Dimming speed	3.6 s (5% - 100%)
		Response time	1 Cycle: ≤ 272 ms @ 128 channels)

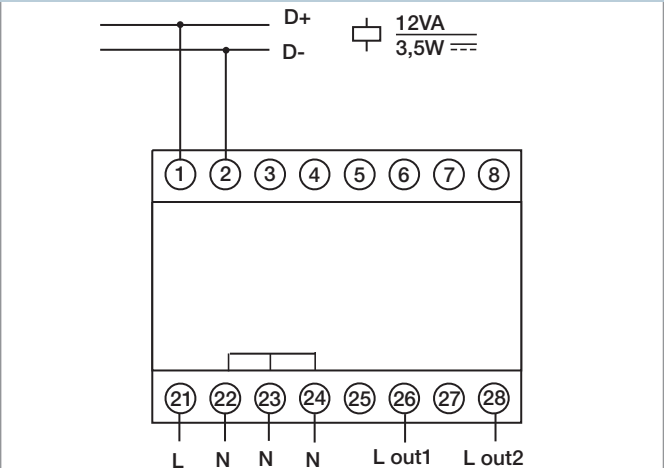
GENERAL SPECIFICATIONS

Power ON delay	7 s	Housing	H4-housing
Indication for		Operating Device	Switch for selection of negative/positive phase angle control. Push button switch for turning output "ON/OFF" (one per output). Latching switch for entering scenario programming mode.
Supply On	LED, Green		
Alarm	LED, Red – Flashing Slow flashing: Overload Fast flashing: Short circuit		
smart-house carrier	LED, Yellow		
Output On	LED, Red (one per output)	Standards	IEC 60669, EN 55022/ EN 50081-1 and EN 55024/ EN 50082-1
Environment			
Operating temperature	0° to +50°C/32° to +122°F		
Humidity (non-condensing)	Max. 85%		

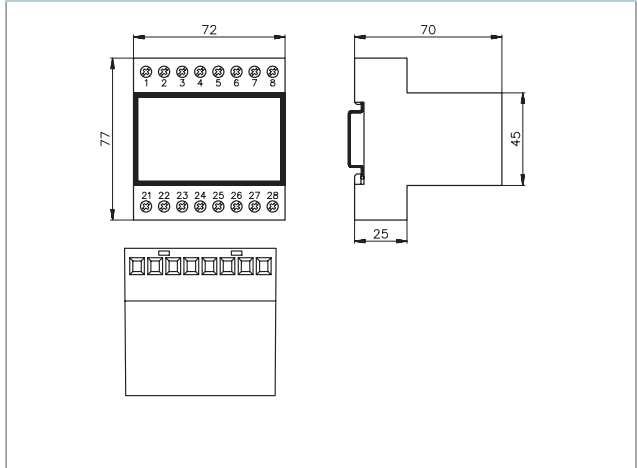
SUPPLY SPECIFICATIONS

Power Supply	
Rated operational voltage	230 VAC ±10%
Power consumption	12 VA
Power dissipation	Max. 3.5 W
Frequency	50/60 Hz

WIRING DIAGRAM



DIMENSIONS (mm)



Dimmer, 2 x 230 W Output



MODE OF OPERATION

Coding

With the BGP-COD-BAT programming unit, each switching channel can be assigned any address between A1 and P8 via the modular socket on the front of the dimmer. The allocation of the channels is as follows:

Description		Channel
DIMMER 1	1	ON / OFF / Dimming
	2	Lighting scene 1 (3)
	3	Lighting scene 2 (4)
	4	Dimmer 1 output status
DIMMER 2	5	ON / OFF Dimming
	6	Lighting scene 1 (3)
	7	Lighting scene 2 (4)
	8	Dimmer 2 output status

Functions which are not required should remain uncoded. The coding of the dimmer can be carried out without either supply voltage or smart-house signal. It is retained permanently, but may be overwritten at any time. The Dimmer output are configured in such a way at the factory that it will be switched off in the event of a fault. This configuration, too, can be changed with the BGP-COD-BAT. Setting "1" results in switching on the lighting to 100% in case of a fault, while setting "0" switches off the Dimmer output (factory setting).

Putting into service

Commissioning must only be carried out by an authorised, trained technician. Observe the connection diagram when installing. All lines to be connected must be dead. The N-connection is absolutely necessary for the operation of the dimmer.



Turn to the left:
Do not use the dimmer in this position.



Turn to the right:
Factory settings.
Negative phase angle control (Halogen lamps with electronic transformer), or ordinary ohmic load.
(Negative edge triggered).

Although an incorrect setting will result in malfunction, it will not cause irreparable damage to the dimmer. The following table shows the allocation of terminals:

Terminal	Description
1	smart-house signal conductor + (D +)
2	smart-house signal conductor - (D -)
21	Line in
22/23/24	N-conductor
26	Line out - Dimming channel 1
28	Line out - Dimming channel 2

Connections between the smart-house signal and to earth potential will cause malfunctions and are not permissible. Attention should be paid to the correct polarity of the supply voltage and the smart-house signal. In order to meet the requirements for protective low voltage, VDE 0100, part 410, should be observed and applied during installation.

LED indicators

Front-mounted LEDs indicate the status of the device:

LED	Description
GREEN	Supply ON
YELLOW "Bus OK"	smart-house carrier: OFF: Bus fault ON: Bus is OK
RED Fault	Monitoring: OFF: Status OK ON, flashing slowly: Overload ON, flashing fast: Short circuit
RED Output 1	Dimmer 1: OFF: Dimmer output off ON: Dimmer output on
RED Output 2	Dimmer 2: OFF: Dimmer output off ON: Dimmer output on

Channel combinations and scenes

Channel combinations (Dim. 1 / Dim. 2)			Activation	
1 / 5	2 / 6	3 / 7	Short	Long
			ON / OFF	Dimming Up/Down 5%..100%
			Light scene 1 (40%)	Store light. scene 1
			Light scene 2 (80%)	Store light. scene 2
			Light scene 3 (20%)	Store light. scene 3
			Light scene 4 (60%)	Store light. scene 4
			100%	Lock /Unlock (Locked)
			0% / OFF	Set light scenes back to factory settings

TYPE SELECTION

Supply
230 VAC

Ordering no.
BH4-D230W2-230