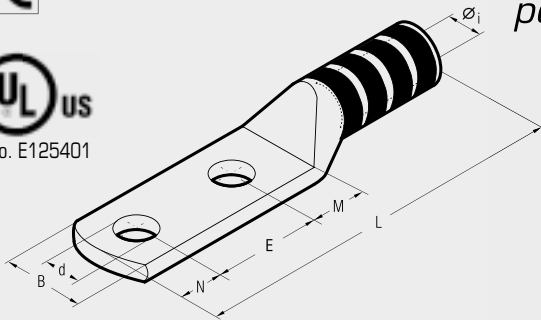


CAPICORDA COLOR CODED

a due fori e barrel lungo,
per conduttori in rame



File no. E125401



CL-D

Novità

| Sezione Cond. mm ² | Sez. Cond. AWG | Ø Vite mm | Tipo | Dimensioni mm | | | | | | | Codice Colore | Imballo standard/ minimo | Utensili Meccanici | Utensili Oleodinamici | | | | | | | | | |
|-------------------------------|----------------|-----------|------|---------------|------|------|------|------|------|-------|---------------|--------------------------|--------------------|-----------------------|--|-------|--|-------|--|-------|--|-------|--|
| | | | | Øj | B | M | E | N | L | d | | | | | | | | | | | | | |
| 10 | 8 | 23 | 6 | CL8-D14 | 4,6 | 11,0 | 7,0 | 16,0 | 6,0 | 53,0 | 6,4 | ROSSO | 400/50 | B15MD | | | | | | | | | |
| | | | 6 | CL8-D141 | 4,6 | 11,0 | 7,0 | 19,0 | 6,0 | 56,0 | 6,4 | ROSSO | 400/50 | | | | | | | | | | |
| | | | 10 | CL8-D38 | 4,6 | 18,0 | 11,0 | 25,5 | 10,0 | 70,5 | 10,5 | ROSSO | 400/50 | | | | | | | | | | |
| 16 | 6 | | 6 | CL6-D14 | 5,8 | 11,5 | 7,0 | 16,0 | 6,0 | 54,5 | 6,4 | BLU | 400/50 | | | B15MD | | | | | | | |
| | | | 6 | CL6-D141 | 5,8 | 11,5 | 7,0 | 19,0 | 6,0 | 57,5 | 6,4 | BLU | 400/50 | | | | | | | | | | |
| | | | 10 | CL6-D38 | 5,8 | 18,0 | 11,0 | 25,5 | 10,0 | 72,0 | 10,5 | BLU | 400/50 | | | | | | | | | | |
| 25 | 4 | 40 | 6 | CL4-D14 | 6,2 | 12,5 | 7,0 | 16,0 | 6,0 | 62,0 | 6,4 | GRIGIO | 200/50 | | | | | B15MD | | | | | |
| | | | 6 | CL4-D141 | 6,2 | 12,5 | 7,0 | 19,0 | 6,0 | 65,0 | 6,4 | GRIGIO | 200/50 | | | | | | | | | | |
| | | | 10 | CL4-D38 | 6,2 | 18,0 | 11,0 | 25,5 | 10,0 | 79,5 | 10,5 | GRIGIO | 200/50 | | | | | | | | | | |
| 25 | 4 | 40 | 12 | CL4-DN | 6,2 | 20,0 | 14,0 | 44,5 | 12,0 | 103,5 | 13,2 | GRIGIO | 200/50 | | | | | | | B15MD | | | |
| | | | 10 | CL3-D38 | 7,0 | 18,0 | 11,0 | 25,5 | 10,0 | 79,5 | 10,5 | BIANCO | 200/50 | | | | | | | | | | |
| | | | 12 | CL3-DN | 7,0 | 21,0 | 14,0 | 44,5 | 12,0 | 103,5 | 13,2 | BIANCO | 200/50 | | | | | | | | | | |
| 35 | 2 | 60 | 6 | CL2-D14 | 7,6 | 17,0 | 7,0 | 16,0 | 6,0 | 61,0 | 6,4 | MARRONE | 200/50 | B15MD | | | | | | | | | |
| | | | 6 | CL2-D141 | 7,6 | 17,0 | 7,0 | 19,0 | 6,0 | 64,0 | 6,4 | MARRONE | 200/50 | | | | | | | | | | |
| | | | 10 | CL2-D38 | 7,6 | 19,0 | 11,0 | 25,5 | 10,0 | 78,5 | 10,5 | MARRONE | 100/50 | | | | | | | | | | |
| | | | 10 | CL2-DN38 | 7,6 | 19,0 | 11,0 | 44,5 | 10,0 | 97,5 | 10,5 | MARRONE | 100/50 | | | | | | | | | | |
| 35 | 2 | 60 | 12 | CL2-DN | 7,6 | 21,0 | 14,0 | 44,5 | 12,0 | 102,5 | 13,2 | MARRONE | 100/50 | | | B15MD | | | | | | | |
| | | | 6 | CL1-D14 | 8,9 | 17,0 | 7,0 | 16,0 | 6,0 | 63,0 | 6,4 | VERDE | 200/50 | | | | | | | | | | |
| | | | 6 | CL1-D141 | 8,9 | 17,0 | 7,0 | 19,0 | 6,0 | 66,0 | 6,4 | VERDE | 200/50 | | | | | | | | | | |
| | | | 10 | CL1-D38 | 8,9 | 19,0 | 11,0 | 25,5 | 10,0 | 80,5 | 10,5 | VERDE | 100/25 | | | | | | | | | | |
| 50 | 1/0 | 100 | 12 | CL1-DN | 8,9 | 21,0 | 14,0 | 44,5 | 12,0 | 104,5 | 13,2 | VERDE | 100/25 | | | | | B15MD | | | | | |
| | | | 6 | CL1/O-D14 | 10,0 | 19,0 | 7,9 | 16,0 | 7,0 | 68,0 | 6,4 | ROSA | 100/25 | | | | | | | | | | |
| | | | 6 | CL1/O-D141 | 10,0 | 19,0 | 7,9 | 19,0 | 7,0 | 71,0 | 6,4 | ROSA | 100/25 | | | | | | | | | | |
| | | | 10 | CL1/O-D38 | 10,0 | 20,0 | 10,9 | 25,5 | 10,0 | 83,5 | 10,5 | ROSA | 100/25 | | | | | | | | | | |
| 70 | 2/0 | 125 | 12 | CL1/O-DN | 10,0 | 21,0 | 14,0 | 44,5 | 12,0 | 107,5 | 13,2 | ROSA | 100/25 | B15MD | | | | | | | | | |
| | | | 6 | CL2/O-D14 | 11,3 | 21,0 | 7,8 | 16,0 | 7,0 | 76,0 | 6,4 | NERO | 60/30 | | | | | | | | | | |
| | | | 6 | CL2/O-D141 | 11,3 | 21,0 | 7,8 | 19,0 | 7,0 | 79,0 | 6,4 | NERO | 60/30 | | | | | | | | | | |
| | | | 10 | CL2/O-D38 | 11,3 | 21,0 | 11,0 | 25,5 | 10,0 | 91,5 | 10,5 | NERO | 60/30 | | | | | | | | | | |
| 95 | 3/0 | 150 | 12 | CL2/O-DN | 11,3 | 22,0 | 14,0 | 44,5 | 12,0 | 115,5 | 13,2 | NERO | 60/30 | | | B15MD | | | | | | | |
| | | | 6 | CL3/O-D141 | 12,4 | 23,3 | 8,0 | 19,0 | 7,0 | 82,0 | 6,4 | ARANCIO | 60/30 | | | | | | | | | | |
| | | | 10 | CL3/O-D38 | 12,4 | 23,3 | 11,0 | 25,5 | 10,0 | 94,5 | 10,5 | ARANCIO | 60/30 | | | | | | | | | | |
| | | | 12 | CL3/O-DN | 12,4 | 24,0 | 14,0 | 44,5 | 12,0 | 118,5 | 13,2 | ARANCIO | 60/30 | | | | | | | | | | |
| 120 | 250 | 250 | 6 | CL4/O-D141 | 13,5 | 25,0 | 13,0 | 19,0 | 11,0 | 94,0 | 6,4 | PORPORA | 50/25 | | | | | B15MD | | | | | |
| | | | 10 | CL4/O-D38 | 13,5 | 25,0 | 11,0 | 25,5 | 10,0 | 97,5 | 10,5 | PORPORA | 50/25 | | | | | | | | | | |
| | | | 10 | CL4/O-DN38 | 13,5 | 25,0 | 11,0 | 44,5 | 10,0 | 116,5 | 10,5 | PORPORA | 50/25 | | | | | | | | | | |
| | | | 12 | CL4/O-DN | 13,5 | 25,0 | 14,0 | 44,5 | 12,0 | 121,5 | 13,2 | PORPORA | 50/25 | | | | | | | | | | |
| 150 | 300 | 300 | 10 | CL250-D38 | 15,2 | 28,5 | 11,0 | 25,5 | 10,0 | 103,0 | 10,5 | GIALLO | 40/20 | B15MD | | | | | | | | | |
| | | | 12 | CL250-DN | 15,2 | 28,5 | 14,0 | 44,5 | 12,0 | 127,0 | 13,2 | GIALLO | 40/20 | | | | | | | | | | |
| 150 | 300 | 300 | 10 | CL300-D38 | 16,7 | 31,5 | 13,0 | 25,5 | 11,0 | 116,0 | 10,5 | BIANCO | 30/15 | | | | | | | B15MD | | | |
| | | | 12 | CL300-DN | 16,7 | 31,5 | 16,0 | 44,5 | 14,0 | 141,0 | 13,2 | BIANCO | 30/15 | | | | | | | | | | |
| 185 | 350 | 350 | 6 | CL350-D141 | 17,6 | 33,0 | 13,0 | 19,0 | 11,0 | 109,5 | 6,4 | ROSSO | 30/15 | | | B15MD | | | | | | | |
| | | | 10 | CL350-D38 | 17,6 | 33,0 | 13,0 | 25,5 | 11,0 | 116,0 | 10,5 | ROSSO | 30/15 | | | | | | | | | | |
| | | | 12 | CL350-DN | 17,6 | 33,0 | 16,0 | 44,5 | 14,0 | 141,0 | 13,2 | ROSSO | 30/15 | | | | | | | | | | |
| 240 | 500 | 400 | 6 | CL400-D141 | 19,2 | 35,5 | 13,0 | 19,0 | 11,0 | 118,5 | 6,4 | BLU | 20/10 | | | | | | | | | B15MD | |
| | | | 10 | CL400-D38 | 19,2 | 35,5 | 13,0 | 25,5 | 11,0 | 125,0 | 10,5 | BLU | 20/10 | | | | | | | | | | |
| | | | 12 | CL400-DN | 19,2 | 35,5 | 16,0 | 44,5 | 14,0 | 150,0 | 13,2 | BLU | 20/10 | | | | | | | | | | |
| 240 | 500 | 400 | 6 | CL500-D141 | 21,1 | 39,0 | 13,0 | 19,0 | 11,0 | 119,5 | 6,4 | MARRONE | 20/10 | | | | | B15MD | | | | | |
| | | | 10 | CL500-D38 | 21,1 | 39,0 | 13,0 | 25,5 | 11,0 | 126,0 | 10,5 | MARRONE | 10/5 | | | | | | | | | | |
| | | | 12 | CL500-DN | 21,1 | 39,0 | 16,0 | 44,5 | 14,0 | 151,0 | 13,2 | MARRONE | 10/5 | | | | | | | | | | |
| 300 | 600 | MCM | 10 | CL600-D38 | 23,7 | 44,0 | 20,0 | 25,5 | 11,0 | 149,5 | 10,5 | VERDE | 20/5 | B15MD | | | | | | | | | |
| | | | 12 | CL600-DN | 23,7 | 44,0 | 20,0 | 44,5 | 14,0 | 171,5 | 13,2 | VERDE | 20/5 | | | | | | | | | | |
| 300 | 750 | MCM | 10 | CL750-DN38 | 26,0 | 48,0 | 20,0 | 44,5 | 11,0 | 173,5 | 10,5 | NERO | 15/5 | | | | | | | B15MD | | | |
| | | | 10 | CL750-D38 | 26,0 | 48,0 | 20,0 | 25,5 | 11,0 | 154,5 | 10,5 | NERO | 15/5 | | | | | | | | | | |
| | | | 12 | CL750-DN | 26,0 | 48,0 | 20,0 | 44,5 | 14,0 | 176,5 | 13,2 | NERO | 15/5 | | | | | | | | | | |

I capicorda della serie CL-D sono ricavati da tubo di rame elettrolitico di sezione tale da garantire sia una buona connessione elettrica che un'adeguata resistenza alla trazione.

Sono ricotti e protetti superficialmente mediante stagnatura elettrolitica.

Il processo di ricottura ottimizza le caratteristiche strutturali del materiale, permette quindi una compressione più agevole e garantisce l'utilizzo del capocorda in presenza di sollecitazioni meccaniche di varia natura.

Il colletto è provvisto di smusso per una facile e corretta introduzione del conduttore; la sua lunghezza inoltre è tale da rendere agevole e preciso il posizionamento all'interno delle matrici degli utensili.

- Ogni capocorda riporta incisi:
- marchio di fabbrica e numero di catalogo Cembre.
 - natura e sezione del conduttore (AWG).
 - codice della matrice di compressione.
 - codice colore

UL Listing valido sia in USA che in Canada in accordo con lo standard UL 486A-486B fino a 35 KV.