



Automatización Eléctrica
Especialistas en Automatización

At the end of this document you will find links to products related to this catalog. You can go directly to our shop by clicking [HERE](#). [HERE](#)

Electronic housing - CM 90-LG/H 12,5/BO BK - 2944876

Please be informed that the data shown in this PDF Document is generated from our Online Catalog. Please find the complete data in the user's documentation. Our General Terms of Use for Downloads are valid (<http://phoenixcontact.com/download>)



Complete housing with vents, Complete housing, Cross connection: without bus connector, Color: black, Width: 90 mm, Constructional height: 115.5 mm, Number of positions cross connector: not relevant

The illustration shows versions CM 62-LG/H 35/BO and CM 90-LG/H 12,5 BO

Why buy this product

- Flexible accommodation of different connection elements (from high-position connectors to electronic PCBs)
- Easy snap-on mounting on symmetrical DIN rails according to EN 60715
- Rugged housing technology
- Shock and contamination-proof accommodation of electronic components

Key Commercial Data

Packing unit	4 STK
GTIN	 4 017918 081737

Technical data

General

Housing type	Complete housing
Housing material	Polycarbonate fiber reinforced
Color	black

Ambient conditions

Ambient temperature (operation)	-40 °C ... 105 °C (depending on power dissipation)
---------------------------------	--

Dimensions

Length	75 mm
Constructional height	115.5 mm
Width	90 mm

Technical data

Flammability rating according to UL 94	V0
Power dissipation without gap	37 W
Power dissipation with 20 mm gap	48.1 W

Electronic housing - CM 90-LG/H 12,5/BO BK - 2944876

Technical data

Standards and Regulations

Flammability rating according to UL 94	V0
--	----

Classifications

eCl@ss

eCl@ss 4.0	27180401
eCl@ss 4.1	27180401
eCl@ss 5.0	27180506
eCl@ss 5.1	27180506
eCl@ss 6.0	27180802
eCl@ss 7.0	27182702
eCl@ss 8.0	27182702
eCl@ss 9.0	27182702

ETIM

ETIM 2.0	EC001031
ETIM 3.0	EC001031
ETIM 4.0	EC001031
ETIM 5.0	EC001031

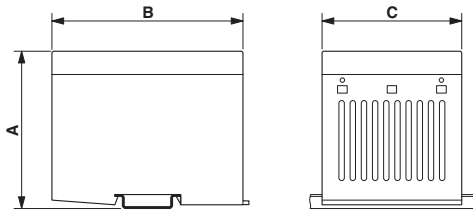
UNSPSC

UNSPSC 6.01	31261501
UNSPSC 7.0901	31261501
UNSPSC 11	31261501
UNSPSC 12.01	31261501
UNSPSC 13.2	31261501

Drawings

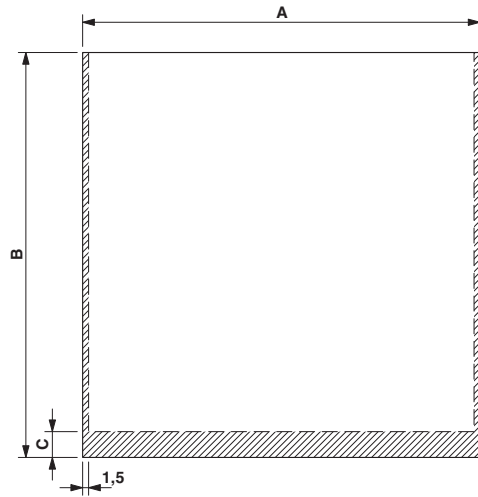
Electronic housing - CM 90-LG/H 12,5/BO BK - 2944876

Dimensional drawing



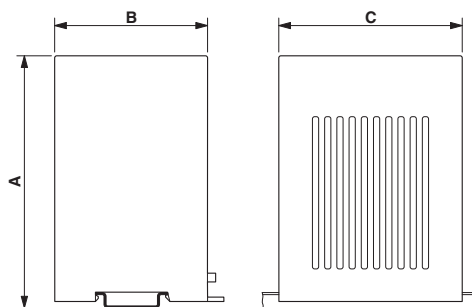
Dimension A=115.5 mm; dimension B=75 mm; dimension C=90 mm

Dimensional drawing



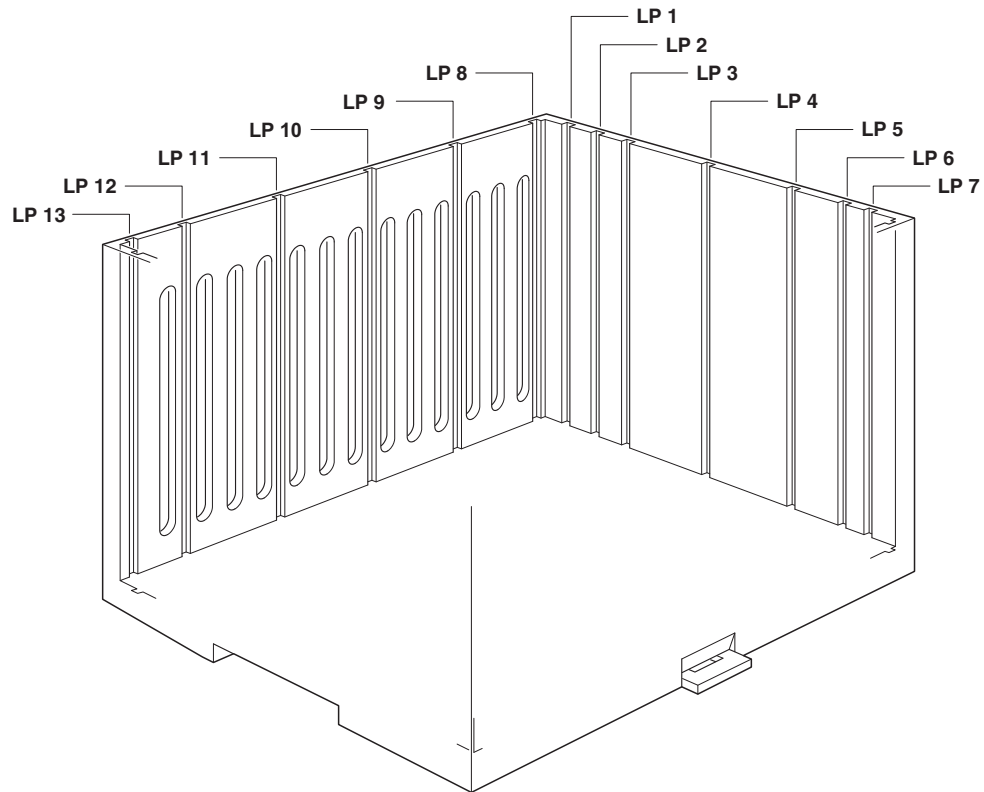
PCB 1, 7: Dimension A: 87.5 mm; B: 102.0 mm; C: 0 mm
PCB 8, 13: Dimension A: 72.5 mm; B: 102.0 mm; C: 0 mm

Dimensional drawing



Electronic housing - CM 90-LG/H 12,5/BO BK - 2944876

Schematic diagram



Phoenix Contact 2016 © - all rights reserved
<http://www.phoenixcontact.com>

PHOENIX CONTACT GmbH & Co. KG
Flachsmarktstr. 8
32825 Blomberg
Germany
Tel. +49 5235 300
Fax +49 5235 3 41200
<http://www.phoenixcontact.com>



Automatización Eléctrica
Especialistas en Automatización

Below is a list of articles with direct links to our shop Electric Automation Network where you can see:

- Quote per purchase volume in real time.
- Online documentation and datasheets of all products.
- Estimated delivery time enquiry in real time.
- Logistics systems for the shipment of materials almost anywhere in the world.
- Purchasing management, order record and tracking of shipments.

To access the product, [click on the green button.](#)

Product	Code	Reference	Product link
Complete housing with vents, Complete housing, Cross connection: without bus connector, Color: black, Width: 90 mm, Constructional height: 115.5 mm, Number of positions cross connector: not relevant	2944876	CM 90-LG/H 12,5/BO BK	Buy on EAN