



Automatización Eléctrica
Especialistas en Automatización

At the end of this document you will find links to products related to this catalog. You can go directly to our shop by clicking [HERE](#). [HERE](#)

Socket - EMG 90-2SD-D/LA - 2941523

Please be informed that the data shown in this PDF Document is generated from our Online Catalog. Please find the complete data in the user's documentation. Our General Terms of Use for Downloads are valid (<http://phoenixcontact.com/download>)



Rail-mountable double socket, with glow lamp, green housing

The illustration shows the German double socket EMG90-2SD-D/LA



Key Commercial Data

Packing unit	2 STK
GTIN	 4 017918 080495

Technical data

Dimensions

Width	90 mm
Height	75 mm
Depth	70.5 mm

Ambient conditions

Ambient temperature (operation)	-20 °C ... 60 °C
Ambient temperature (storage/transport)	-20 °C ... 60 °C

General

Nominal voltage U_N	250 V AC
Nominal current I_N	16 A
Status display	Glow lamp or LED with preresistor
Contact material	CuZn37
For country-specific use in	D
Color	green
Insulating material	PC-F
Standards/regulations	IEC 83
	DIN 49440-1

Socket - EMG 90-2SD-D/LA - 2941523

Technical data

Connection data

Conductor cross section solid min.	0.2 mm ²
Conductor cross section solid max.	4 mm ²
Conductor cross section flexible min.	0.2 mm ²
Conductor cross section flexible max.	2.5 mm ²
Conductor cross section AWG min.	24
Conductor cross section AWG max.	12
Connection method	Screw connection
Stripping length	8 mm
Screw thread	M3

Standards and Regulations

Standards/regulations	IEC 83
	DIN 49440-1

Classifications

eCl@ss

eCl@ss 4.0	27142305
eCl@ss 4.1	27142305
eCl@ss 5.0	27142305
eCl@ss 5.1	27142305
eCl@ss 6.0	27142305
eCl@ss 7.0	27142305
eCl@ss 8.0	27142305

ETIM

ETIM 2.0	EC001325
ETIM 3.0	EC001325
ETIM 4.0	EC001663
ETIM 5.0	EC001663

UNSPSC

UNSPSC 6.01	30211806
UNSPSC 7.0901	39121406
UNSPSC 11	39121406
UNSPSC 12.01	39121406
UNSPSC 13.2	39121406

Approvals

Approvals

Socket - EMG 90-2SD-D/LA - 2941523

Approvals

Approvals

EAC / EAC

Ex Approvals

Approvals submitted

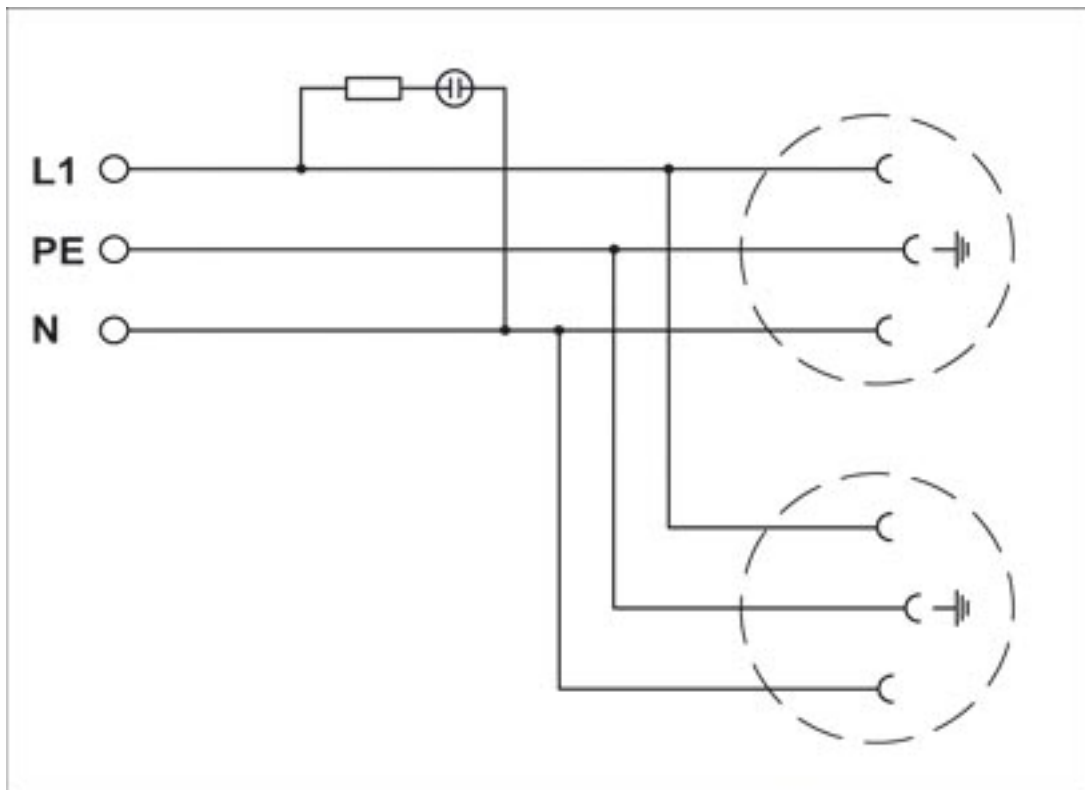
Approval details

EAC

EAC

Drawings

Circuit diagram



Phoenix Contact 2016 © - all rights reserved
<http://www.phoenixcontact.com>

PHOENIX CONTACT GmbH & Co. KG
Flachmarktstr. 8
32825 Blomberg
Germany
Tel. +49 5235 300
Fax +49 5235 3 41200
<http://www.phoenixcontact.com>



Below is a list of articles with direct links to our shop Electric Automation Network where you can see:

- Quote per purchase volume in real time.
- Online documentation and datasheets of all products.
- Estimated delivery time enquiry in real time.
- Logistics systems for the shipment of materials almost anywhere in the world.
- Purchasing management, order record and tracking of shipments.

To access the product, [click on the green button.](#)

Product	Code	Reference	Product link
Rail-mountable double socket, with glow lamp, green housing	2941523	EMG 90-2SD-D/LA	Buy on EAN