



Automatización Eléctrica
Especialistas en Automatización

At the end of this document you will find links to products related to this catalog. You can go directly to our shop by clicking [HERE](#). [HERE](#)

Solenoid driver - MACX MCR-EX-SL-SD-21-60-LP-SP - 2924100

Please be informed that the data shown in this PDF Document is generated from our Online Catalog. Please find the complete data in the user's documentation. Our General Terms of Use for Downloads are valid (<http://phoenixcontact.com/download>)



Ex-i solenoid driver For controlling Ex-i solenoid valves, alarm modules or LEDs installed in Ex areas. Current limitation at 58 mA. For gases up to Group II B, loop-powered, electrical isolation, SIL 3.

The illustration shows the versions with screw connection

Why buy this product

- Mechanically compatible with the DIN rail connector
- Various output characteristic curves compatible with standard solenoid valves
- Loop-powered: the required power is supplied via the control signal on the input side.
- Installation in zone 2, protection type "n" (EN 60079-15) permitted
- Up to SIL 3 according to EN 61508
- Output [Ex ia] IIC/[Ex ia] IIB
- 20
30 V DC input
- 2-way electrical isolation



Key Commercial Data

Packing unit	1 STK
GTIN	 4 046356 338523

Technical data

Note

Utilization restriction	EMC: class A product, see manufacturer's declaration in the download area
-------------------------	---

Dimensions

Width	12.5 mm
Height	99 mm
Depth	114.5 mm

Ambient conditions

Solenoid driver - MACX MCR-EX-SL-SD-21-60-LP-SP - 2924100

Technical data

Ambient conditions

Ambient temperature (operation)	-20 °C ... 60 °C (Any mounting position)
Ambient temperature (storage/transport)	-40 °C ... 80 °C
Maximum altitude	≤ 2000 m
Permissible humidity (operation)	10 % ... 95 % (non-condensing)
Noise immunity	EN 61000-6-2
Degree of protection	IP20

Output data

Minimum output voltage	12.9 V DC (At 58 mA)
Output characteristic curve: Output resistor	133 Ω (Internal resistance R _i)
Response time	30 ms

Compatible valves

Note	This is an extract of possible combinations of valves and solenoid drivers.
Compatible valve	ASCO Coil 302 (12 V)
	ASCO Coil 302 (24 V)
	Bürkert Coil AC 10 standard
	Bürkert Coil AC 10 high resistance
	FESTO Coil MFH-...IA-SA-EX GBXE022AIAD03
	FESTO Coil (J)MFH-...BIA-SA-EX GBXE022AIAD03
	Norgren Herion Coil 2050
	Norgren Herion Coil 2051
	Norgren Herion Coil 2052
	Norgren Herion Coil 2053
	Parker Coil VZ95 482160.01 EEx ia IIB T6

Power supply

Power consumption	< 1.4 W
-------------------	---------

Connection data

Conductor cross section solid min.	0.2 mm ²
Conductor cross section solid max.	1.5 mm ²
Conductor cross section flexible min.	0.2 mm ²
Conductor cross section flexible max.	1.5 mm ²
Conductor cross section AWG min.	24
Conductor cross section AWG max.	16
Stripping length	8 mm
Connection method	Push-in connection

General

No. of channels	1
Maximum temperature coefficient	0.01 %/K

Solenoid driver - MACX MCR-EX-SL-SD-21-60-LP-SP - 2924100

Technical data

General

Status display	Yellow LED (switching state / status, lights up when output circuit is active)
Flammability rating according to UL 94	V0
Degree of pollution	2
Overvoltage category	II
Electromagnetic compatibility	Conformance with EMC Directive 2004/108/EC
Emitted interference	EN 61000-6-4
Housing material	PA 66-FR
Color	green
Designation	Output/input
Electrical isolation	375 V (Peak value in accordance with EN 60079-11)
	300 V _{rms} (Rated insulation voltage (overvoltage category II; degree of pollution 2, safe isolation as per EN 61010-1))
	2.5 kV (50 Hz, 1 min., test voltage)
Conformance	CE-compliant, additionally EN 61326
ATEX	# II 3 G Ex nA IIC T4 Gc X
	# II (1) G [Ex ia Ga] IIB/IIA
	# II (1) D [Ex ia Da] IIIC
IECEX	[Ex ia Ga] IIB/IIA
	[Ex ia Da] IIIC
	Ex nA IIC T4 Gc X
UL, USA / Canada	Class I Div 2; IS for Class I, II, III Div 1
Functional Safety (SIL)	SIL 3

Safety characteristic data

Integrity requirement	IEC 61508 - Low demand
Equipment type	Type A
Safety Integrity Level (SIL)	3
Safe Failure Fraction (SFF)	100 %
λ_{SU}	2.84×10^{-7} (284 FIT)
λ_{SD}	0
λ_{DU}	0
λ_{DD}	0
Probability of a hazardous failure on demand (PFD _{AVG})	0 (1 year)
	0 (5 years)
	0 (10 years)
Diagnostic coverage (DC)	DC _S = 0%, DC _D = 0%

Safety data

Input power P _i	negligible
Max. internal inductance L _i	negligible
Max. internal capacitance C _i	negligible

Solenoid driver - MACX MCR-EX-SL-SD-21-60-LP-SP - 2924100

Technical data

Safety data

Max. output voltage U_o	25.1 V
Max. output current I_o	188 mA
Max. output power P_o	1.18 W
Group	IIB
Max. external inductivity L_o	7 mH
Max. external capacity C_o	0.8 μ F
Group	IIA
Max. external inductivity L_o	14.6 mH
Max. external capacity C_o	2.9 μ F
Safety-related maximum voltage U_m	253 V (125 V DC)

Standards and Regulations

Electromagnetic compatibility	Conformance with EMC Directive 2004/108/EC
Noise emission	EN 61000-6-4
Flammability rating according to UL 94	V0
Conformance	CE-compliant, additionally EN 61326
ATEX	# II 3 G Ex nA IIC T4 Gc X
	# II (1) G [Ex ia Ga] IIB/IIA
	# II (1) D [Ex ia Da] IIIC
IECEX	[Ex ia Ga] IIB/IIA
	[Ex ia Da] IIIC
	Ex nA IIC T4 Gc X
UL, USA / Canada	Class I Div 2; IS for Class I, II, III Div 1
Group	IIB
	IIA

Classifications

eCl@ss

eCl@ss 4.0	27210121
eCl@ss 4.1	27210121
eCl@ss 5.0	27210121
eCl@ss 5.1	27210121
eCl@ss 6.0	27210121
eCl@ss 7.0	27210121
eCl@ss 8.0	27210121

ETIM

ETIM 2.0	EC001430
ETIM 3.0	EC001599
ETIM 4.0	EC001599

Solenoid driver - MACX MCR-EX-SL-SD-21-60-LP-SP - 2924100

Classifications

ETIM

ETIM 5.0	EC002653
----------	----------

UNSPSC

UNSPSC 6.01	30211506
UNSPSC 7.0901	39121008
UNSPSC 11	39121008
UNSPSC 12.01	39121008
UNSPSC 13.2	39121008

Approvals

Approvals

Approvals

UL Listed / cUL Listed / Functional Safety / cULus Listed

Ex Approvals

IECEX / UL Listed / cUL Listed / IECEX / ATEX / EAC Ex / IECEX / ATEX / cULus Listed

Approvals submitted

Approval details

UL Listed

cUL Listed

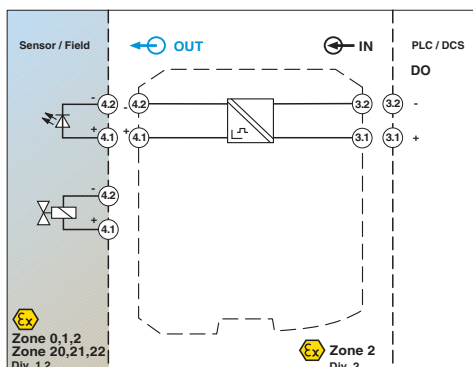
Functional Safety

cULus Listed

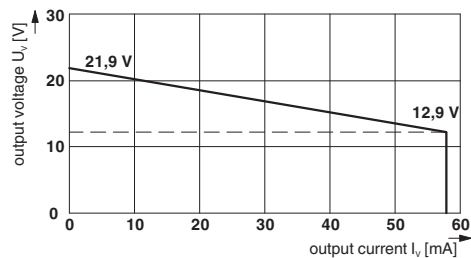
Drawings

Solenoid driver - MACX MCR-EX-SL-SD-21-60-LP-SP - 2924100

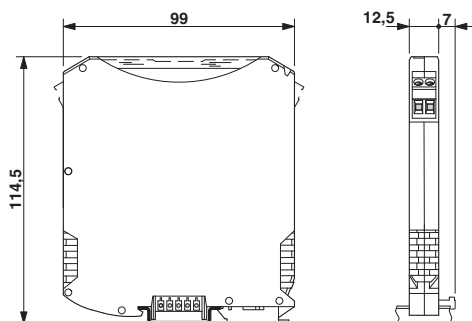
Block diagram



Diagram



Dimensional drawing



Phoenix Contact 2016 © - all rights reserved
<http://www.phoenixcontact.com>

PHOENIX CONTACT GmbH & Co. KG
Flachsmarktstr. 8
32825 Blomberg
Germany
Tel. +49 5235 300
Fax +49 5235 3 41200
<http://www.phoenixcontact.com>



Below is a list of articles with direct links to our shop Electric Automation Network where you can see:

- Quote per purchase volume in real time.
- Online documentation and datasheets of all products.
- Estimated delivery time enquiry in real time.
- Logistics systems for the shipment of materials almost anywhere in the world.
- Purchasing management, order record and tracking of shipments.

To access the product, [click on the green button.](#)

Product	Code	Reference	Product link
Ex-i solenoid driver For controlling Ex-i solenoid valves, alarm modules or LEDs installed in Ex areas. Current limitation at 58 mA. For gases up to Group II B, loop-powered, electrical isolation, SIL 3.	2924100	MACX MCR-EX-SL-SD-21-60-LP-SP	Buy on EAN