



**Automatización Eléctrica**  
Especialistas en Automatización

At the end of this document you will find links to products related to this catalog. You can go directly to our shop by clicking HERE. [HERE](#)

## Electronic housing - EG 22,5-AE/ABS GN - 2907046

Please be informed that the data shown in this PDF Document is generated from our Online Catalog. Please find the complete data in the user's documentation. Our General Terms of Use for Downloads are valid (<http://phoenixcontact.com/download>)

Housing cover, for connection on one side




Illustration shows a fully mounted version of the electronic housing

### Why buy this product

- Tool-free mounting
- Practical and easy-to-wire conductor connection using extra finely stranded sturdy screw terminal blocks up to 2.5 mm<sup>2</sup>
- Fast snap-on mounting on symmetrical DIN rails according to EN 60715
- Date of manufacture and material and part identification embossed on the housing (recyclability)
- Functional and industry-oriented housing technology
- Optimum accommodation of electronic components with graded pitches with a design width of 22.5 mm, 45 mm, 67.5 mm, and 90 mm
- Shock and contamination-proof accommodation of electronic components (IP40 housing, IP20 terminal blocks)

### Key Commercial Data

Packing unit	25 STK
GTIN	 4 017918 126568

### Technical data

#### General

Housing type	Component housing
Color	green

#### Dimensions

Length	75 mm
Constructional height	17.5 mm
Width	22.5 mm

#### Technical data

Flammability rating according to UL 94	HB
Number of positions	8

### Standards and Regulations

# Electronic housing - EG 22,5-AE/ABS GN - 2907046

## Technical data

### Standards and Regulations

Flammability rating according to UL 94	HB
--	----

## Classifications

### eCl@ss

eCl@ss 4.0	27180401
eCl@ss 4.1	27180401
eCl@ss 5.0	27180506
eCl@ss 5.1	27180506
eCl@ss 6.0	27180802
eCl@ss 7.0	27182702
eCl@ss 8.0	27182702
eCl@ss 9.0	27182702

### ETIM

ETIM 2.0	EC001031
ETIM 3.0	EC001031
ETIM 4.0	EC001031
ETIM 5.0	EC001031

### UNSPSC

UNSPSC 6.01	31261501
UNSPSC 7.0901	31261501
UNSPSC 11	31261501
UNSPSC 12.01	31261501
UNSPSC 13.2	31261501

## Approvals

### Approvals

---

Approvals

UL Recognized

---

Ex Approvals

---


Approvals submitted

---

### Approval details

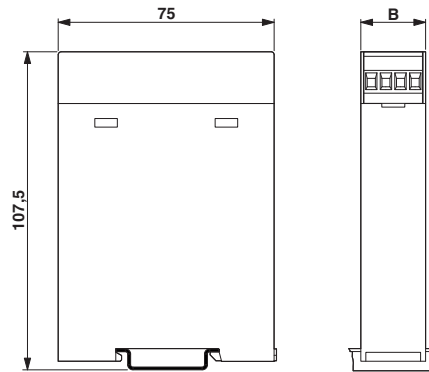
# Electronic housing - EG 22,5-AE/ABS GN - 2907046

## Approvals

UL Recognized 

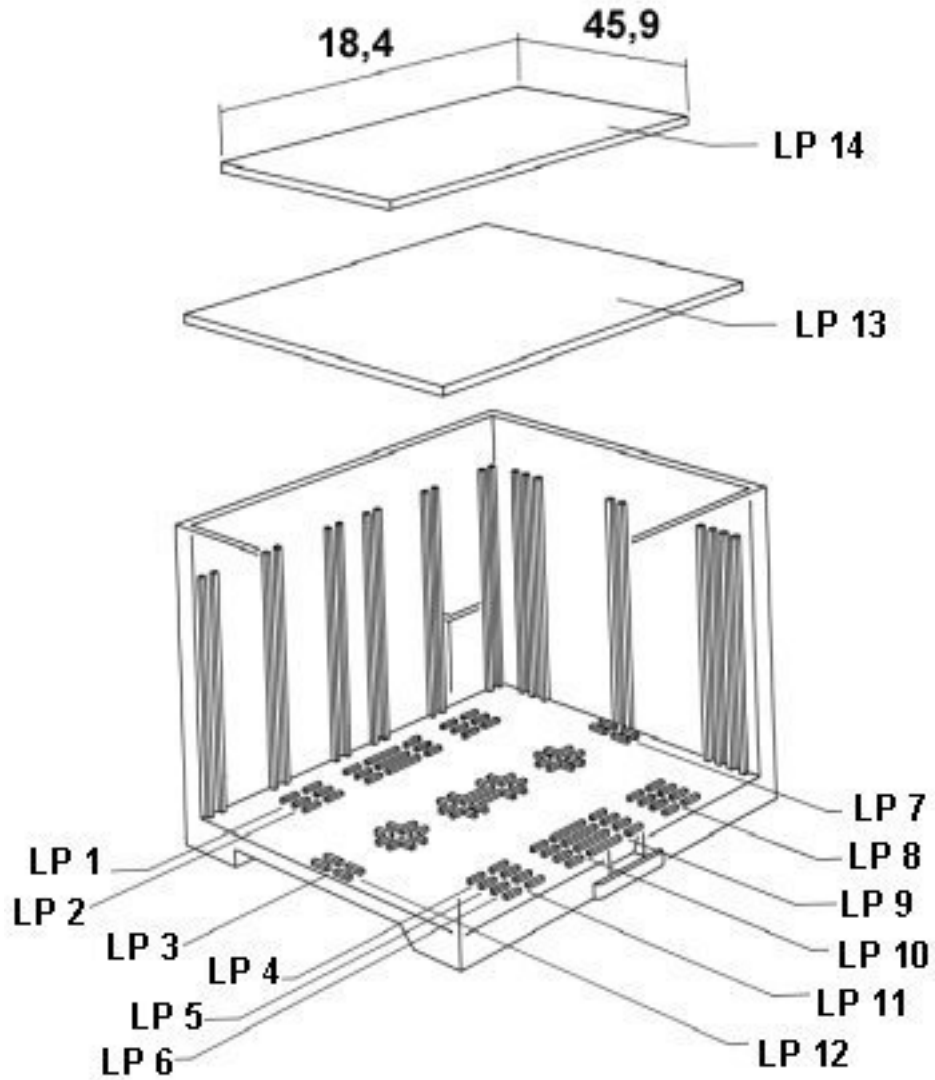
## Drawings

Dimensional drawing



# Electronic housing - EG 22,5-AE/ABS GN - 2907046

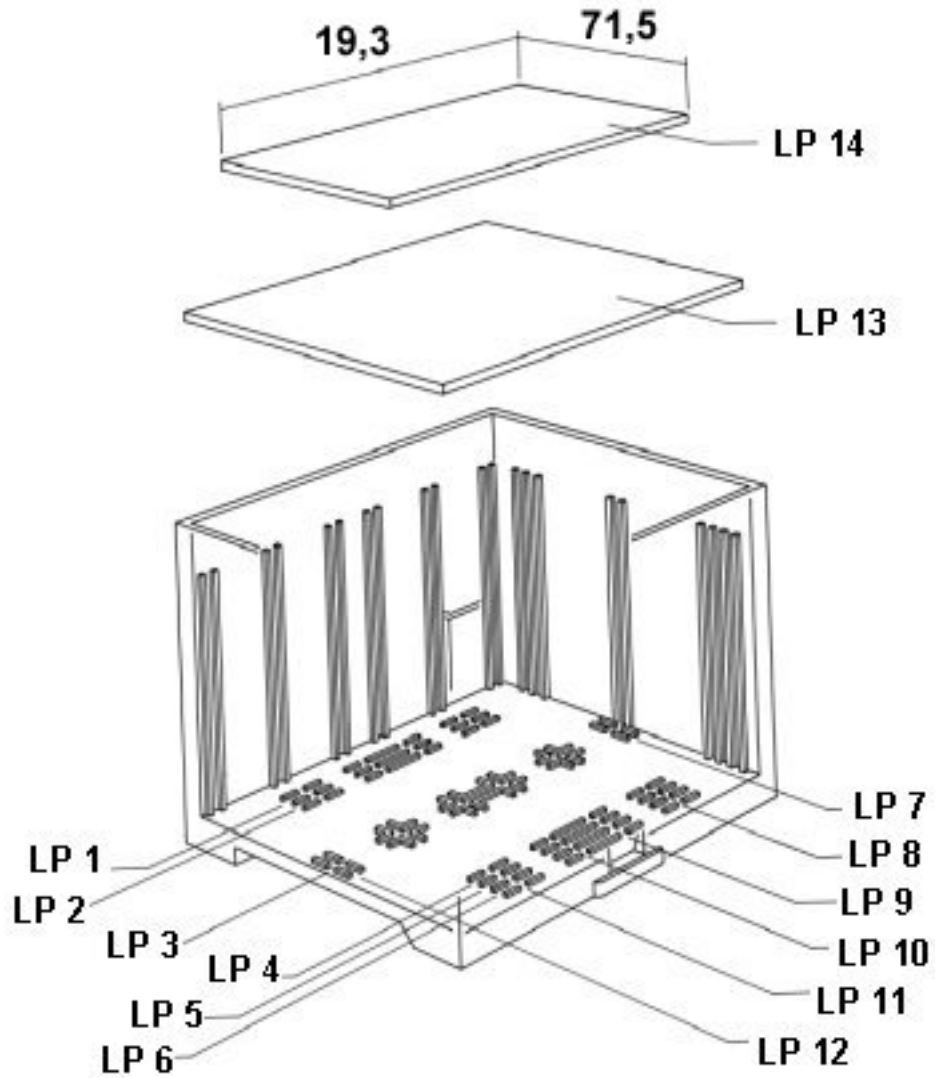
Explosion drawing



valid for PCB 14

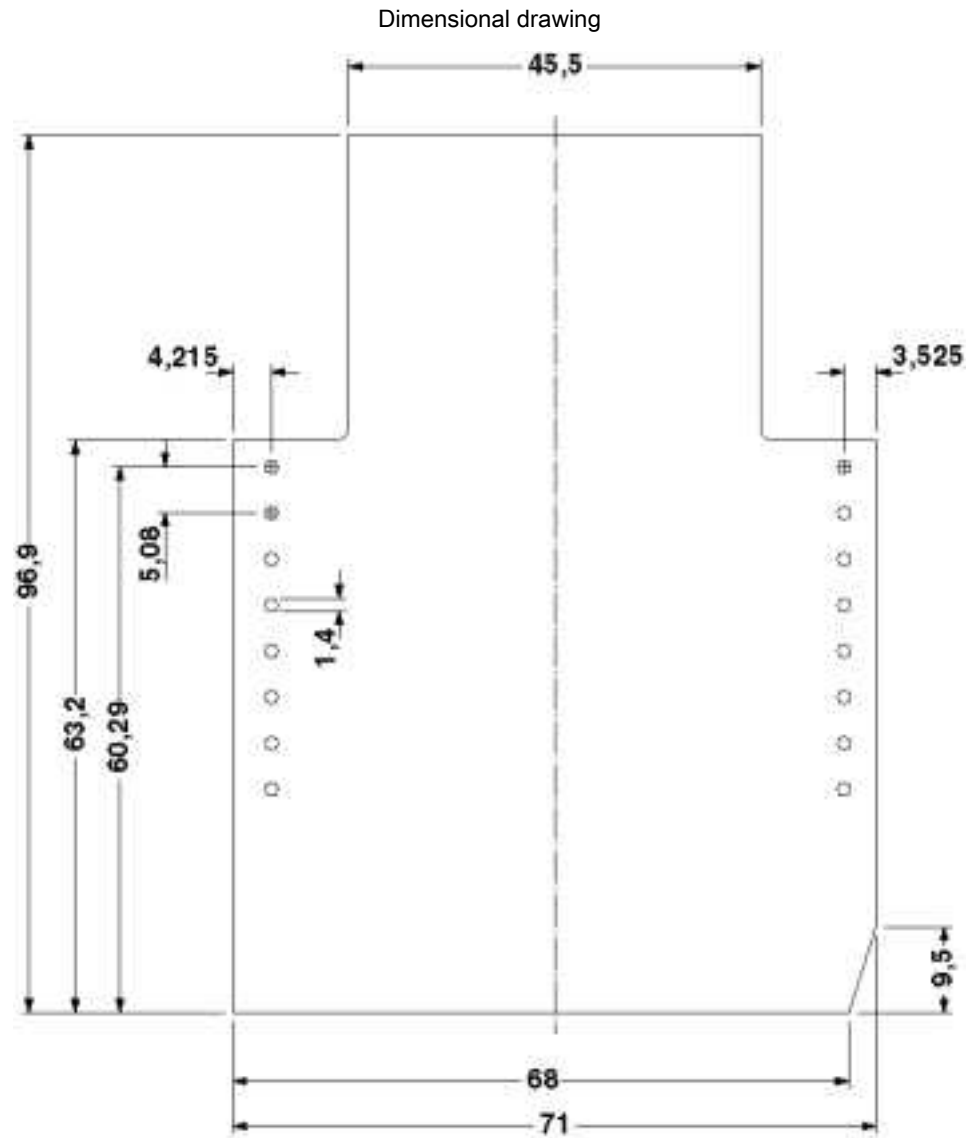
# Electronic housing - EG 22,5-AE/ABS GN - 2907046

Explosion drawing



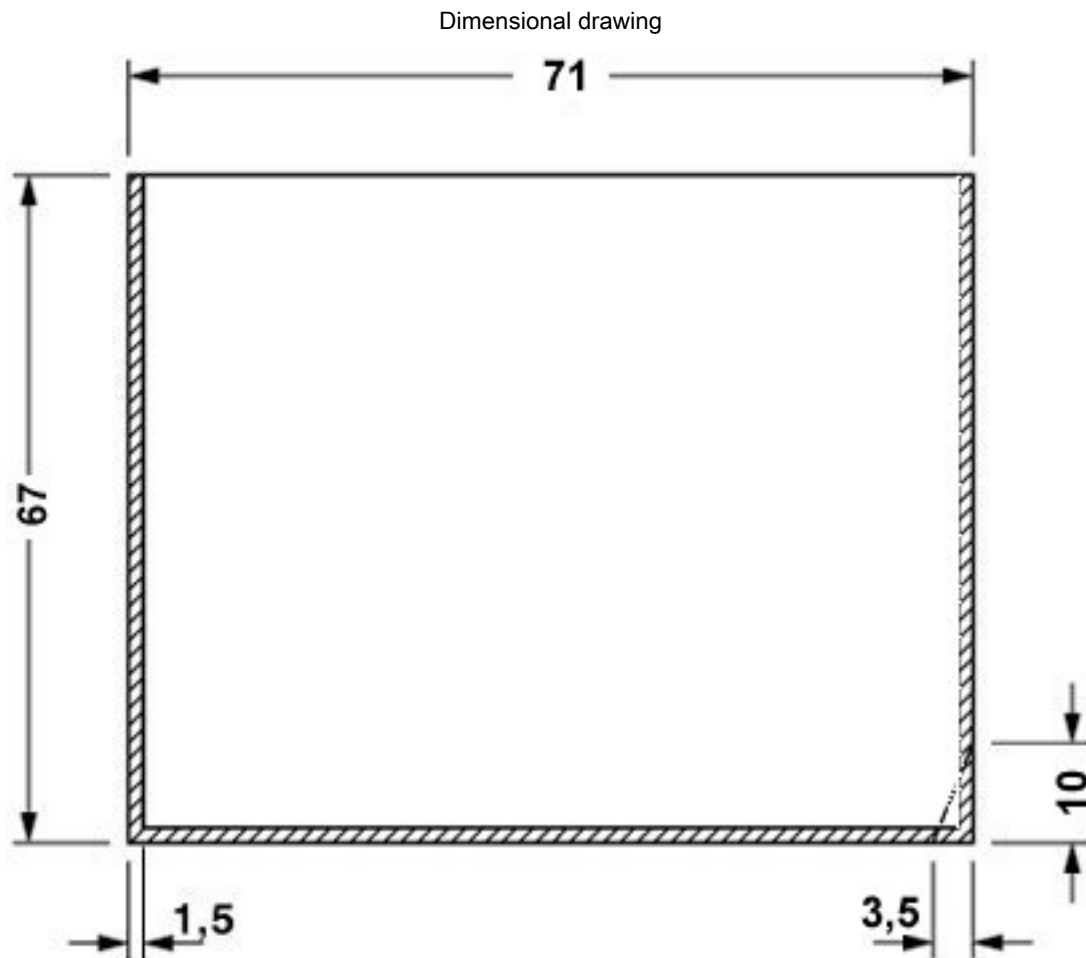
valid for PCB 13

# Electronic housing - EG 22,5-AE/ABS GN - 2907046



Component mounting side, if the double-level upper part is used

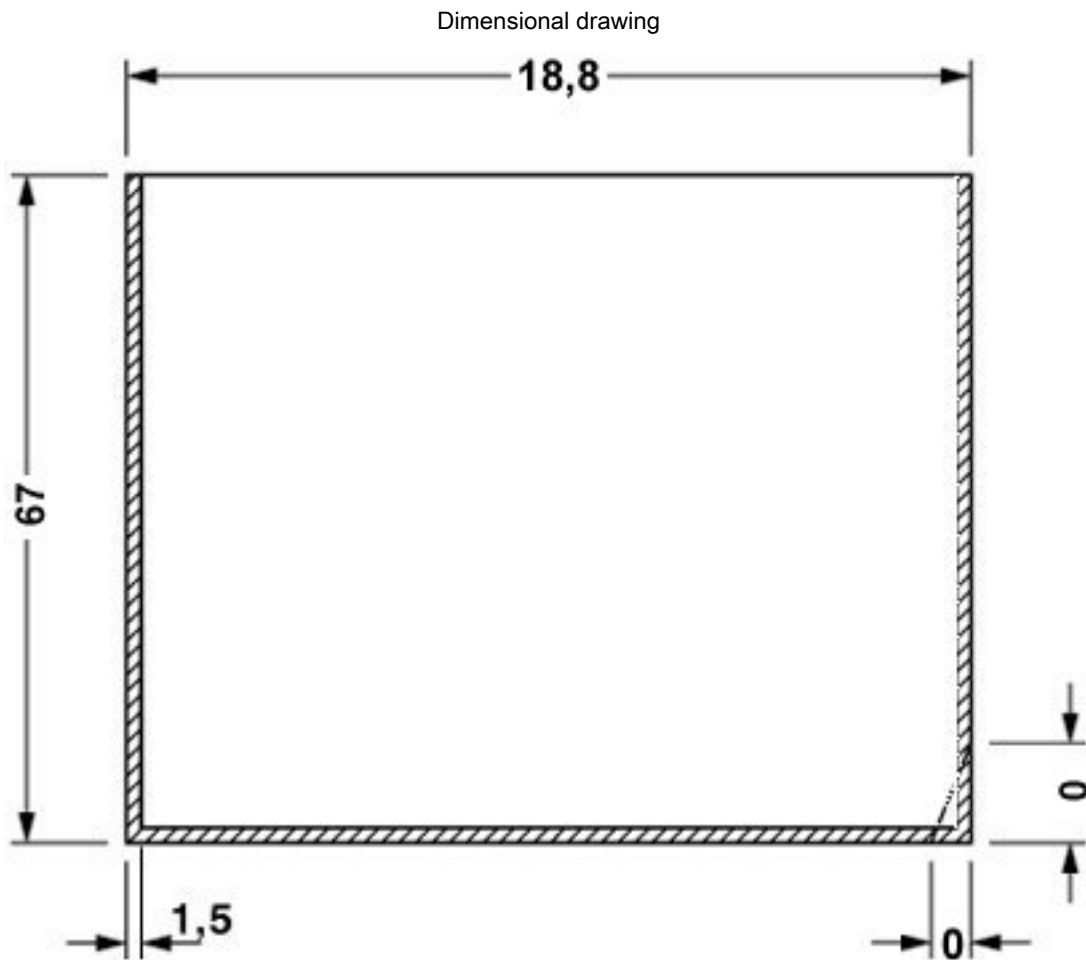
## Electronic housing - EG 22,5-AE/ABS GN - 2907046



valid for PCB 7, see explosion drawing



## Electronic housing - EG 22,5-AE/ABS GN - 2907046



valid for PCB 1, see explosion drawing

Phoenix Contact 2016 © - all rights reserved  
<http://www.phoenixcontact.com>

PHOENIX CONTACT GmbH & Co. KG  
Flachsmarktstr. 8  
32825 Blomberg  
Germany  
Tel. +49 5235 300  
Fax +49 5235 3 41200  
<http://www.phoenixcontact.com>

Below is a list of articles with direct links to our shop Electric Automation Network where you can see:

- Quote per purchase volume in real time.
- Online documentation and datasheets of all products.
- Estimated delivery time enquiry in real time.
- Logistics systems for the shipment of materials almost anywhere in the world.
- Purchasing management, order record and tracking of shipments.

To access the product, [click on the green button.](#)

<b>Product</b>	<b>Code</b>	<b>Reference</b>	<b>Product link</b>
Housing cover, for connection on one side	2907046	EG 22,5-AE/ABS GN	<a href="#">Buy on EAN</a>