



**Automatización Eléctrica**  
Especialistas en Automatización

At the end of this document you will find links to products related to this catalog. You can go directly to our shop by clicking [HERE](#). [HERE](#)

# Electronic device circuit breaker - CB E1 24DC/10A SI-C P - 2905812

Please be informed that the data shown in this PDF Document is generated from our Online Catalog. Please find the complete data in the user's documentation. Our General Terms of Use for Downloads are valid (<http://phoenixcontact.com/download>)



Electronic device circuit breaker, 1-pos., active current limitation, inverted status output and control input, plug for base element.

The figure shows the CB E1 24DC/6A SI-C P version

## Why buy this product

- Compact design with precise nominal current levels
- Modular expansion possible thanks to the uniform, plug-in housing concept
- Sophisticated remote signaling concept enables monitoring from any location
- The control input can be switched by means of remote control
- Active current limitation, even when switching capacitive loads
- Supply/remote signaling can be bridged with CLIPLINE complete accessories

## Key Commercial Data

Packing unit	1 STK
GTIN	 4 046356 998154

## Technical data

### Dimensions

Height	45 mm
Width	12.3 mm
Depth	52 mm
Complete module height	90 mm
Complete module width	12.3 mm
Complete module depth	77.3 mm

### Ambient conditions

Ambient temperature (operation)	-25 °C ... 50 °C (non-condensing)
Ambient temperature (storage/transport)	-40 °C ... 70 °C
Humidity test	96 h, 95% RH, 40°C
Degree of protection	IP30 (Actuation area)

### General

Flammability rating according to UL 94	V0
--	----

# Electronic device circuit breaker - CB E1 24DC/10A SI-C P - 2905812

## Technical data

### General

Mounting type	On base element
Color	gray
Number of positions	1
Degree of pollution	2
Type	Male

### Electrical data

Fuse type	Electronic
Rated surge voltage	0.5 kV
Operating voltage	24 V DC
	18 V DC ... 30 V DC
Nominal current $I_N$	10 A
Rated insulation voltage $U_i$	30 V (Load circuit)
Required backup fuse	not required, integrated failsafe element
Active current limitation	typ. $1.25 \times I_N$
Contact type	Without electrical isolation
Closed circuit current $I_0$	typ. 8 mA (When switched on)
	typ. 11 mA (With status output)
Power dissipation	1.46 W (Nominal operation)
Temperature derating	9 A (at 50°C)
Tripping method	E (electronic)
Dielectric strength	max. 30 V DC (Load circuit)
Voltage drop	100 mV (at $I_N$ )
Contact type	Without electrical isolation
Shutdown time load circuit	100 ms (see time/current characteristic curve)
Undervoltage shutdown load circuit	< 14 V (typ. OFF)
	> 17 V (typ. ON)
Max. capacitive load load circuit	20000 $\mu$ F
Output voltage status output	24 V DC
Output current status output	max. 0.2 A (Short-circuit-proof)
Auxiliary type of contact	Positive-switching signal output

### Standards and Regulations

Standards/specifications	UL 2367 UL recognized
	UL 508 UL/C-UL listed
	EMV EN 61000-6-3 Noise emission
	EMV EN 61000-6-2 Noise immunity

# Electronic device circuit breaker - CB E1 24DC/10A SI-C P - 2905812

## Classifications

### eCl@ss

eCl@ss 4.0	27141116
eCl@ss 4.1	27141116
eCl@ss 5.0	27141116
eCl@ss 5.1	27141116
eCl@ss 6.0	27141116
eCl@ss 7.0	27141116
eCl@ss 8.0	27141116

### ETIM

ETIM 3.0	EC000899
ETIM 4.0	EC000899
ETIM 5.0	EC000899

### UNSPSC

UNSPSC 6.01	30211812
UNSPSC 7.0901	39121411
UNSPSC 11	39121411
UNSPSC 12.01	39121411
UNSPSC 13.2	39121411

## Approvals

### Approvals

---

#### Approvals

UL Recognized / UL Listed / cUL Listed / EAC / cULus Listed

---

#### Ex Approvals

---

#### Approvals submitted

---

#### Approval details

UL Recognized
---------------

# Electronic device circuit breaker - CB E1 24DC/10A SI-C P - 2905812

## Approvals

UL Listed

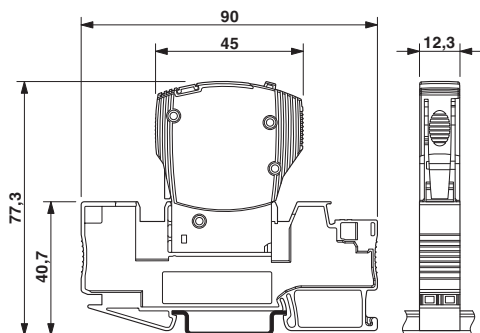
cUL Listed

EAC

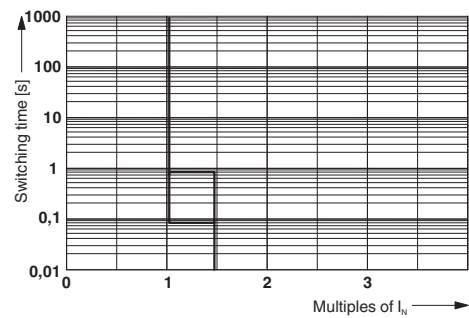
cULus Listed

## Drawings

Dimensional drawing



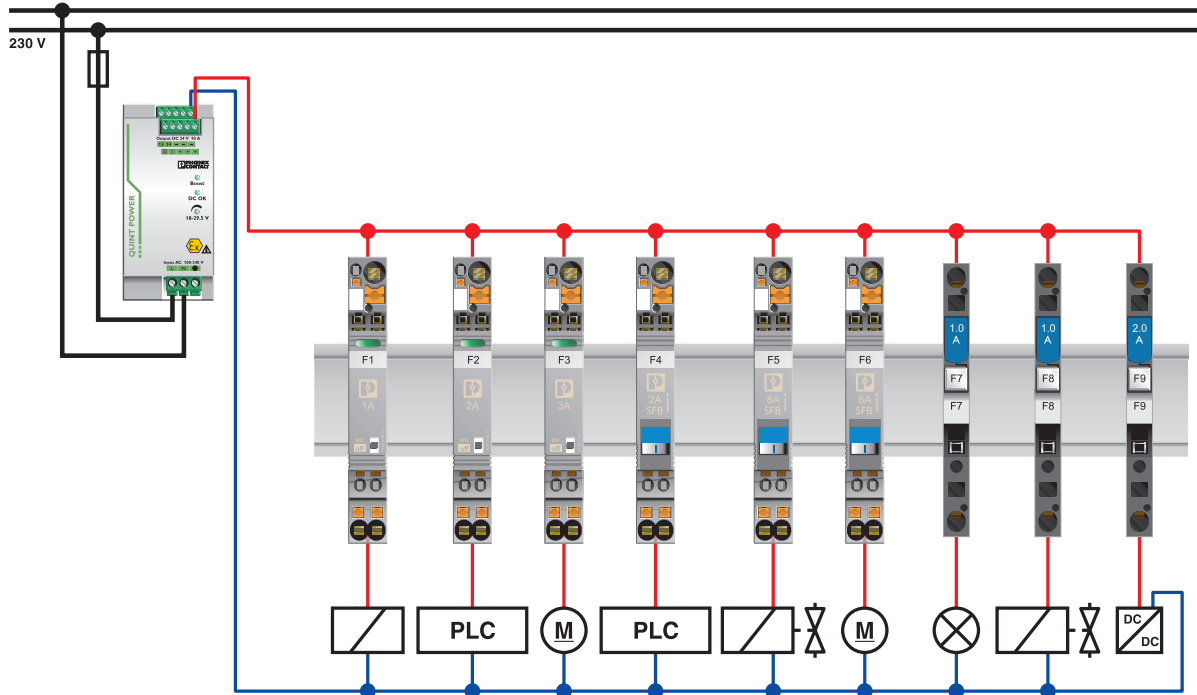
Diagram



The figure shows the complete module consisting of a base element and Trigger characteristic connector

# Electronic device circuit breaker - CB E1 24DC/10A SI-C P - 2905812

Application drawing



Phoenix Contact 2016 © - all rights reserved  
<http://www.phoenixcontact.com>

PHOENIX CONTACT GmbH & Co. KG  
Flachsmarktstr. 8  
32825 Blomberg  
Germany  
Tel. +49 5235 300  
Fax +49 5235 3 41200  
<http://www.phoenixcontact.com>

Below is a list of articles with direct links to our shop Electric Automation Network where you can see:

- Quote per purchase volume in real time.
- Online documentation and datasheets of all products.
- Estimated delivery time enquiry in real time.
- Logistics systems for the shipment of materials almost anywhere in the world.
- Purchasing management, order record and tracking of shipments.

To access the product, [click on the green button.](#)

<b>Product</b>	<b>Code</b>	<b>Reference</b>	<b>Product link</b>
Electronic device circuit breaker, 1-pos., active current limitation, inverted status output and control input, plug for base element.	2905812	CB E1 24DC/10A SI-C P	<a href="#">Buy on EAN</a>