



Automatización Eléctrica
Especialistas en Automatización

At the end of this document you will find links to products related to this catalog. You can go directly to our shop by clicking [HERE](#). [HERE](#)

D-SUB bus connector - SUBCON-PLUS-M/AX 9 - 2904467

Please be informed that the data shown in this PDF Document is generated from our Online Catalog. Please find the complete data in the user's documentation. Our General Terms of Use for Downloads are valid (<http://phoenixcontact.com/download>)



D-SUB plug, 9-pos., pin, axial design with two cable entries, universal type for all systems, pin assignment: 1, 2, 3, 4, 5, 6, 7, 8, 9 to screw connection terminal block

Why buy this product

- Easy assembly thanks to knurled screws
- High level of EMC
- Assembly under field conditions
- For universal use

RS-485 RS-232RS-422

Key Commercial Data

Packing unit	1 STK
GTIN	 4 046356 825573

Technical data

Dimensions

Max. cable diameter	8.4 mm
Min. cable diameter	7.6 mm
Width	17 mm
Height	31.5 mm
Length	58.2 mm

Ambient conditions

Ambient temperature (operation)	-20 °C ... 75 °C
Ambient temperature (storage/transport)	-25 °C ... 80 °C
Altitude	5000 m (For restrictions see manufacturer's declaration)

General

Nominal voltage U_N	50 V
Nominal current I_N	100 mA
Bus system	Universal type for all systems
Signal	RS-232

D-SUB bus connector - SUBCON-PLUS-M/AX 9 - 2904467

Technical data

General

	RS-422
	RS-485
Insertion/withdrawal cycles	> 200
SUBCON fixing screws	4-40 UNC
Tightening torque	0.4 Nm
Housing material	ABS, metal-plated
Pin assignment	1, 2, 3, 4, 5, 6, 7, 8, 9
MTTF	6706 Years (SN 29500 standard, temperature 25°C, operating cycle 21 % (5 days a week, 8 hours a day))
	1817 Years (SN 29500 standard, temperature 40 °C, operating cycle 34.25 % (5 days a week, 12 hours a day))
	155 Years (SN 29500 standard, temperature 40°C, operating cycle 100 % (7 days a week, 24 hours a day))

Connection data

Connection	D-SUB connection
Number of positions	9
Connection method	D-SUB connector
Tightening torque	0.4 Nm
Torque	0.4 Nm
Connection	PCB connection
Connection method	Screw connection
Conductor cross section flexible min.	0.14 mm ²
Conductor cross section flexible max.	0.5 mm ²
Conductor cross section solid min.	0.14 mm ²
Conductor cross section solid max.	0.5 mm ²
Min. AWG conductor cross section, flexible	26
Max. AWG conductor cross section, flexible	20
Conductor cross section AWG min.	26
Conductor cross section AWG max.	20
Stripping length	4.5 mm
Torque	0.4 Nm

Standards and Regulations

ATEX	# II 3 G Ex nA IIC T4 Gc X
------	----------------------------

Classifications

eCl@ss

eCl@ss 4.0	27140816
eCl@ss 4.1	27140816
eCl@ss 5.0	27143424
eCl@ss 5.1	27143424

D-SUB bus connector - SUBCON-PLUS-M/AX 9 - 2904467

Classifications

eCl@ss

eCl@ss 6.0	27143424
eCl@ss 7.0	27440302
eCl@ss 8.0	27440302

ETIM

ETIM 3.0	EC001132
ETIM 4.0	EC001132
ETIM 5.0	EC001132

UNSPSC

UNSPSC 6.01	30211802
UNSPSC 7.0901	39121402
UNSPSC 11	39121402
UNSPSC 12.01	39121402
UNSPSC 13.2	39121402

Approvals

Approvals

Approvals

UL Recognized / cUL Recognized / EAC / cULus Recognized

Ex Approvals

ATEX

Approvals submitted

Approval details


UL Recognized

cUL Recognized

EAC

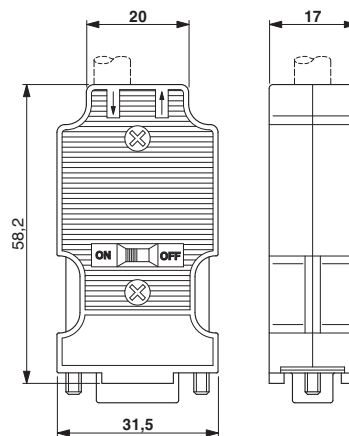
D-SUB bus connector - SUBCON-PLUS-M/AX 9 - 2904467

Approvals

cULus Recognized  US

Drawings

Dimensional drawing



Dimensional drawing SUBCON-PLUS-.../AX...

Phoenix Contact 2016 © - all rights reserved
<http://www.phoenixcontact.com>

PHOENIX CONTACT GmbH & Co. KG
Flachsmarktstr. 8
32825 Blomberg
Germany
Tel. +49 5235 300
Fax +49 5235 3 41200
<http://www.phoenixcontact.com>



Below is a list of articles with direct links to our shop Electric Automation Network where you can see:

- Quote per purchase volume in real time.
- Online documentation and datasheets of all products.
- Estimated delivery time enquiry in real time.
- Logistics systems for the shipment of materials almost anywhere in the world.
- Purchasing management, order record and tracking of shipments.

To access the product, [click on the green button.](#)

Product	Code	Reference	Product link
D-SUB plug, 9-pos., pin, axial design with two cable entries, universal type for all systems, pin assignment: 1, 2, 3, 4, 5, 6, 7, 8, 9 to screw connection terminal block	2904467	SUBCON-PLUS-M/AX 9	Buy on EAN