



**Automatización Eléctrica**  
Especialistas en Automatización

At the end of this document you will find links to products related to this catalog. You can go directly to our shop by clicking [HERE](#). [HERE](#)

## Extension module - PLC-V8C/SC-24DC/EM - 2903095

Please be informed that the data shown in this PDF Document is generated from our Online Catalog. Please find the complete data in the user's documentation. Our General Terms of Use for Downloads are valid (<http://phoenixcontact.com/download>)



PLC logic extension logic module with 16 I/Os for plug-in connection to 8 PLC-INTERFACE terminal blocks for extending the basic module (a maximum of two extension modules can be connected to a basic module), screw connection

### Key Commercial Data

|              |                     |
|--------------|---------------------|
| Packing unit | 1 STK               |
| GTIN         | <br>4 046356 712835 |

### Technical data

#### Note

|                         |   |
|-------------------------|---|
| Utilization restriction | EMC: class A product, see manufacturer's declaration in the download area |
|-------------------------|---|

#### Power supply

|                                |                                      |
|--------------------------------|--------------------------------------|
| Supply voltage                 | 24 V DC                              |
| Supply voltage range           | 19.2 V DC ... 26.4 V DC              |
| Maximum input current at $U_N$ | 65 mA                                |
| Protective circuit             | Protection against polarity reversal |
|                                | Surge protection                     |
| Status display                 | Green LED                            |

#### Input data (digital)

|                          |                              |
|--------------------------|------------------------------|
| Number of inputs         | 8 (2 configurable as analog) |
| Description of the input | EN 61131-2, type 3           |
| Input voltage            | 24 V DC                      |
| Signal level "0" signal  | < 5 V                        |
| Signal level "1" signal  | > 11 V                       |
| Input current "0" signal | < 1 mA                       |
| Input current "1" signal | typ. 2.5 mA                  |
| Status display           | Yellow LED                   |

#### Input data (analog)

|                     |  |
|---------------------|--|
| Number of inputs    | 2 (IN6 and IN7 are configurable as analog) |
| Input voltage range | 0 V ... 10 V                               |

## Extension module - PLC-V8C/SC-24DC/EM - 2903095

### Technical data

#### Input data (analog)

|                  |          |
|------------------|----------|
| Input resistance | > 3.5 kΩ |
|------------------|----------|

#### Input data (PLC-INTERFACE)

|                             |  |
|-----------------------------|--|
| Number of inputs            | ≤ 8                                    |
| Description of the input    | technical data depends on the PLC used |
| Input voltage               | 19 V DC                                |
| Typical current consumption | 4 mA                                   |
| Input resistance            | < 100 mΩ                               |

#### Output data

|                        |         |
|------------------------|---------|
| Number of outputs      | ≤ 8     |
| Nominal output voltage | 24 V DC |
| Nominal current        | 9 mA    |

#### General

|                       |                                       |
|-----------------------|---------------------------------------|
| Color                 | green                                 |
| Mounting position     | any                                   |
| Assembly instructions | Can be plugged onto 8 x PLC-INTERFACE |
| Operating mode        | 100% operating factor                 |
| Degree of protection  | IP20                                  |

#### Connection data (supply and digital inputs)

|                                  |  |
|----------------------------------|--|
| Connection method                | Screw connection   |
| Stripping length                 | 7 mm   |
| Screw thread                     | M2   |
| Conductor cross section solid    | 0.14 mm <sup>2</sup> ... 1.5 mm <sup>2</sup>                                   |
| Conductor cross section flexible | 0.14 mm <sup>2</sup> ... 1.5 mm <sup>2</sup>                                   |
|                                  | 0.25 mm <sup>2</sup> ... 0.5 mm <sup>2</sup> (Ferrule with plastic sleeve)     |
|                                  | 0.25 mm <sup>2</sup> ... 1.5 mm <sup>2</sup> (Ferrules without plastic sleeve) |
| Conductor cross section AWG      | 28 ... 16  |
| Number of connections            | 1  |
| Number of positions              | 10   |
| Note                             | Device supply and 8 x inputs   |

#### Connection data (PLC V8C bus)

|                       |                                    |
|-----------------------|------------------------------------|
| Connection method     | Insulation displacement connection |
| Number of connections | 1                                  |
| Number of positions   | 4                                  |

#### Ambient conditions

|  |                  |
|--|------------------|
| Ambient temperature (operation)                | -20 °C ... 45 °C |
| Ambient temperature (storage/transport)        | -20 °C ... 70 °C |
| Max. permissible relative humidity (operation) | 95 %             |

#### Dimensions

## Extension module - PLC-V8C/SC-24DC/EM - 2903095

### Technical data

#### Dimensions

|        |        |
|--------|--------|
| Width  | 50 mm  |
| Height | 106 mm |
| Depth  | 87 mm  |

#### Standards and Regulations

|                          |  |
|--------------------------|--|
| Designation              | Air clearances and creepage distances between the power circuits |
| Standards/regulations    | DIN EN 50178   |
| Rated insulation voltage | 50 V   |
| Insulation               | Basic insulation   |
| Degree of pollution      | 2  |
| Overvoltage category     | III  |
| Conformance              | CE-compliant   |

### Classifications

#### eCl@ss

|            |          |
|------------|----------|
| eCl@ss 4.0 | 27371102 |
| eCl@ss 4.1 | 27371102 |
| eCl@ss 5.0 | 27371001 |
| eCl@ss 5.1 | 27371001 |
| eCl@ss 6.0 | 27242608 |
| eCl@ss 7.0 | 27242608 |
| eCl@ss 8.0 | 27242216 |

#### ETIM

|          |          |
|----------|----------|
| ETIM 2.0 | EC001504 |
| ETIM 3.0 | EC001504 |
| ETIM 4.0 | EC001417 |
| ETIM 5.0 | EC001417 |

#### UNSPSC

|               |          |
|---------------|----------|
| UNSPSC 6.01   | 30211916 |
| UNSPSC 7.0901 | 39121542 |
| UNSPSC 11     | 39121542 |
| UNSPSC 12.01  | 39121421 |
| UNSPSC 13.2   | 39121542 |

### Approvals

#### Approvals

---

## Extension module - PLC-V8C/SC-24DC/EM - 2903095

### Approvals

Approvals

UL Listed / cUL Listed / cULus Listed

---

Ex Approvals

---

Approvals submitted

---

### Approval details

UL Listed 

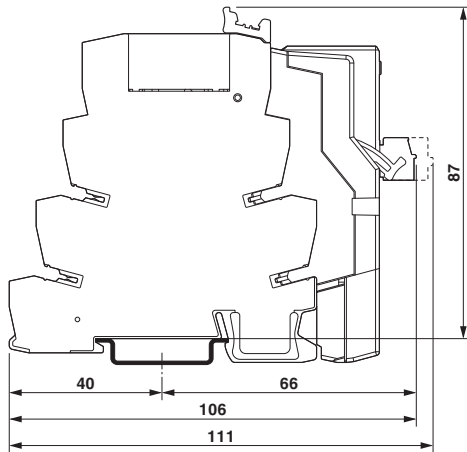
cUL Listed 

cULus Listed 

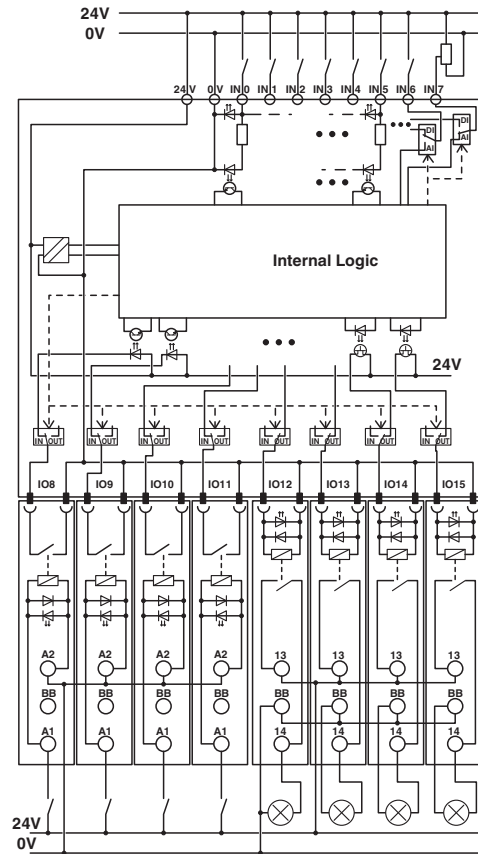
### Drawings

# Extension module - PLC-V8C/SC-24DC/EM - 2903095

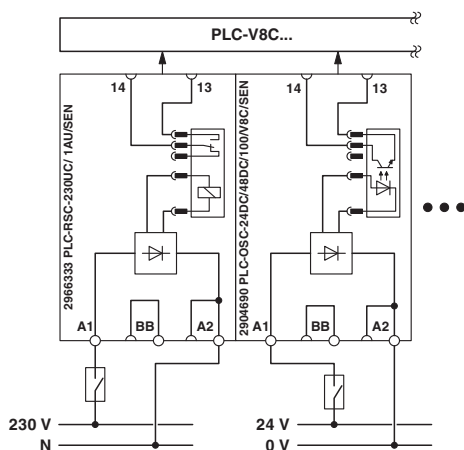
Dimensional drawing



Circuit diagram

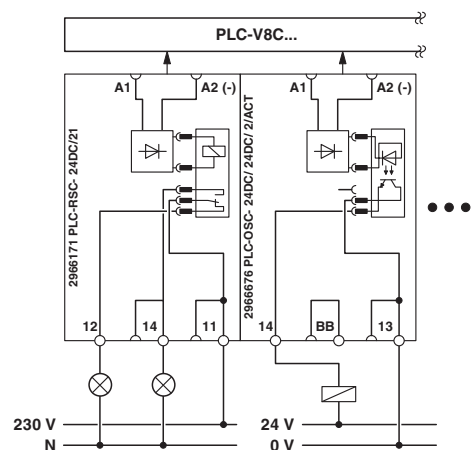


Circuit diagram



Basic circuit diagram: inputs via PLC-INTERFACE with the example of one input terminal block with relay (230 V AC) and one input terminal block with solid-state relay (24 V DC).

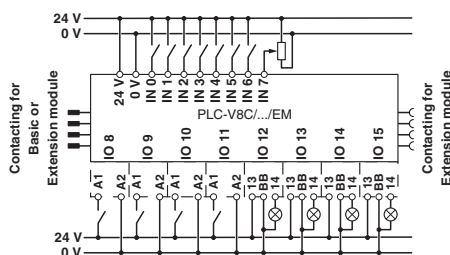
Circuit diagram



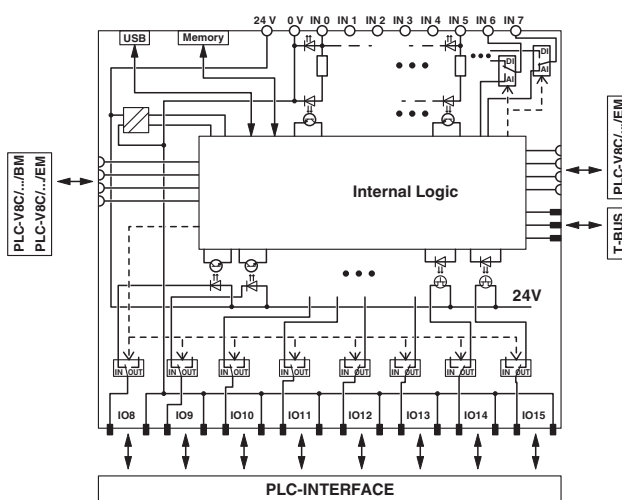
Basic circuit diagram: outputs via PLC-INTERFACE with the example of an output terminal block with relay, 1 PDT, and an output terminal block with solid-state relay.

# Extension module - PLC-V8C/SC-24DC/EM - 2903095

Connection diagram



Circuit diagram



Phoenix Contact 2016 © - all rights reserved  
<http://www.phoenixcontact.com>

PHOENIX CONTACT GmbH & Co. KG  
Flachsmarktstr. 8  
32825 Blomberg  
Germany  
Tel. +49 5235 300  
Fax +49 5235 3 41200  
<http://www.phoenixcontact.com>



**Automatización Eléctrica**  
Especialistas en Automatización

Below is a list of articles with direct links to our shop Electric Automation Network where you can see:

- Quote per purchase volume in real time.
- Online documentation and datasheets of all products.
- Estimated delivery time enquiry in real time.
- Logistics systems for the shipment of materials almost anywhere in the world.
- Purchasing management, order record and tracking of shipments.

To access the product, [click on the green button.](#)

| Product  | Code    | Reference              | Product link               |
|--|---------|------------------------|----------------------------|
| PLC logic extension logic module with 16 I/Os for plug-in connection to 8 PLC-INTERFACE terminal blocks for extending the basic module (a maximum of two extension modules can be connected to a basic module), screw connection | 2903095 | PLC-V8C/<br>SC-24DC/EM | <a href="#">Buy on EAN</a> |