



Automatización Eléctrica
Especialistas en Automatización

At the end of this document you will find links to products related to this catalog. You can go directly to our shop by clicking [HERE](#). [HERE](#)

Interface module - DFLK-D37 SUB/F/FKCT - 2903069

Please be informed that the data shown in this PDF Document is generated from our Online Catalog. Please find the complete data in the user's documentation. Our General Terms of Use for Downloads are valid (<http://phoenixcontact.com/download>)



The VARIOFACE feed-through module implements a 1:1 connection between plug-in push-in spring-cage connection terminal blocks and a D-SUB miniature socket strip (number of positions: 37). A separate ground tap is available.

Key Commercial Data

Packing unit	1 STK
GTIN	 4 046356 709477

Technical data

Dimensions

Width	36.5 mm
Height	128.4 mm
Depth	46 mm

Ambient conditions

Ambient temperature (operation)	-20 °C ... 50 °C
Ambient temperature (storage/transport)	-20 °C ... 70 °C

General

Max. perm. operating voltage	125 V AC/DC
Max. perm. current (per branch)	2.5 A
Max. permissible current (all branches)	50 A (at T _A = 50 °C)
Number of positions	37
Mounting position	any
Assembly instructions	In rows with zero spacing
Degree of protection	IP20
Standards/regulations	DIN EN 50178
	IEC 60664
	IEC 62103
Rated insulation voltage	125 V
Rated surge voltage	1.2 kV (Functional insulation)
Degree of pollution	2
Overvoltage category	II

Interface module - DFLK-D37 SUB/F/FKCT - 2903069

Technical data

Connection data for connection 1

Connection name	Field level
Connection method	Plug-in push-in spring-cage connection
Stripping length	10 mm
Conductor cross section solid	0.2 mm ² ... 2.5 mm ²
Conductor cross section flexible	0.2 mm ² ... 2.5 mm ²
Conductor cross section AWG	24 ... 12

Connection data for connection 2

Connection name	Controller level
Connection method	D-SUB socket strip
Number of positions	37

Standards and Regulations

Connection in acc. with standard	CUL
Standards/regulations	DIN EN 50178
	IEC 60664
	IEC 62103
Degree of pollution	2
Overvoltage category	II

Classifications

eCl@ss

eCl@ss 4.0	27250313
eCl@ss 4.1	27250313
eCl@ss 5.0	27250313
eCl@ss 5.1	27250313
eCl@ss 6.0	27242608
eCl@ss 7.0	27141152
eCl@ss 8.0	27141152

ETIM

ETIM 2.0	EC001434
ETIM 3.0	EC001604
ETIM 4.0	EC001604
ETIM 5.0	EC002780

UNSPSC

UNSPSC 6.01	30211824
UNSPSC 7.0901	39121421
UNSPSC 11	39121421
UNSPSC 12.01	39121421

Interface module - DFLK-D37 SUB/F/FKCT - 2903069

Classifications

UNSPSC

UNSPSC 13.2	39121421
-------------	----------

Approvals

Approvals

Approvals

UL Recognized / cUL Recognized / EAC / cULus Recognized

Ex Approvals

Approvals submitted

Approval details

UL Recognized	
mm ² /AWG/kcmil	30-12
Nominal current I _N	1 A
Nominal voltage U _N	125 V

cUL Recognized	
mm ² /AWG/kcmil	30-12
Nominal current I _N	1 A
Nominal voltage U _N	125 V

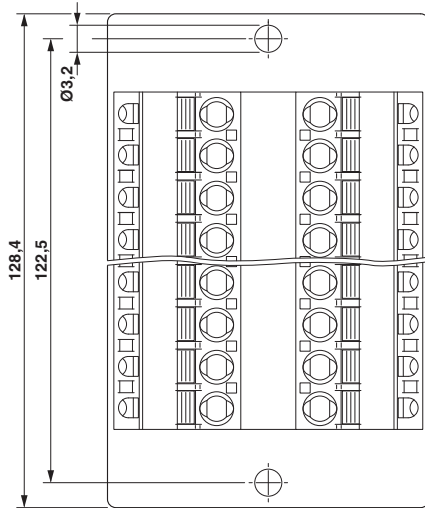
EAC

cULus Recognized

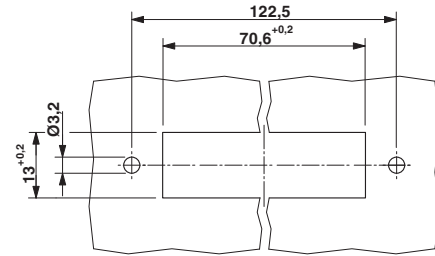
Drawings

Interface module - DFLK-D37 SUB/F/FKCT - 2903069

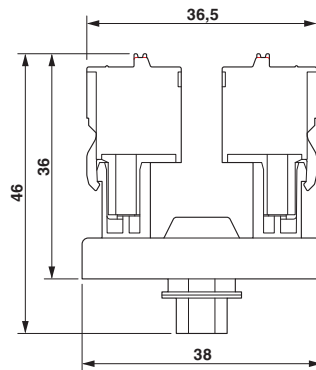
Dimensional drawing



Dimensional drawing



Dimensional drawing



Phoenix Contact 2016 © - all rights reserved
<http://www.phoenixcontact.com>

PHOENIX CONTACT GmbH & Co. KG
Flachsmarktstr. 8
32825 Blomberg
Germany
Tel. +49 5235 300
Fax +49 5235 3 41200
<http://www.phoenixcontact.com>



Below is a list of articles with direct links to our shop Electric Automation Network where you can see:

- Quote per purchase volume in real time.
- Online documentation and datasheets of all products.
- Estimated delivery time enquiry in real time.
- Logistics systems for the shipment of materials almost anywhere in the world.
- Purchasing management, order record and tracking of shipments.

To access the product, [click on the green button.](#)

Product	Code	Reference	Product link
The VARIOFACE feed-through module implements a 1:1 connection between plug-in push-in spring-cage connection terminal blocks and a D-SUB miniature socket strip (number of positions: 37). A separate ground tap is available.	2903069	DFLK-D37 SUB/F/FKCT	Buy on EAN