



**Automatización Eléctrica**  
Especialistas en Automatización

At the end of this document you will find links to products related to this catalog. You can go directly to our shop by clicking [HERE](#). [HERE](#)

## Relay socket - PLC-BPT-230UC/ 1/SEN/SO46 - 2900457

Please be informed that the data shown in this PDF Document is generated from our Online Catalog. Please find the complete data in the user's documentation. Our General Terms of Use for Downloads are valid (<http://phoenixcontact.com/download>)



6.2 mm PLC basic terminal block with interference current and interference voltage protection on the control side, with push-in connection, without relay or solid-state relay, with sensor supply voltage distribution (BB), 1 N/O contact, input voltage 230 V AC

The figure shows 120 UC version

### Why buy this product

- High relay release voltage
- Resistant to interference currents



### Key Commercial Data

Packing unit	10 STK
GTIN	4 046356 507776

### Technical data

#### Note

Utilization restriction	EMC: class A product, see manufacturer's declaration in the download area
-------------------------	---

#### Dimensions

Width	6.2 mm
Height	80 mm
Depth	94 mm

#### Ambient conditions

Ambient temperature (operation)	-25 °C ... 55 °C
Ambient temperature (storage/transport)	-40 °C ... 85 °C

#### Input data

Nominal input voltage $U_N$	230 V AC/DC
Status display	LED
Protective circuit	Bridge rectifier Bridge rectifier

# Relay socket - PLC-BPT-230UC/ 1/SEN/SO46 - 2900457

## Technical data

### Input data

	RCZ filter RCZ filter
--	-----------------------

### Output data

Compatible components	Miniature relay, REL-MR-60DC/21AU, REL-MR-60DC/21; miniature optocoupler, OPT-60DC/48DC/100, OPT-60DC/24DC/2, OPT-60DC/230AC/1
-----------------------	--

### Connection data, input side

Connection name	Input side
Connection method	Push-in connection
Stripping length	8 mm
Conductor cross section solid	0.14 mm <sup>2</sup> ... 2.5 mm <sup>2</sup>
Conductor cross section flexible	0.14 mm <sup>2</sup> ... 2.5 mm <sup>2</sup>
Conductor cross section AWG	26 ... 14

### Connection data, output side

Connection name	Output side
Connection method	Push-in connection
Stripping length	8 mm
Conductor cross section solid	0.14 mm <sup>2</sup> ... 2.5 mm <sup>2</sup>
Conductor cross section flexible	0.14 mm <sup>2</sup> ... 2.5 mm <sup>2</sup>
Conductor cross section AWG	26 ... 14

### General

Protective circuit	Bridge rectifier Bridge rectifier
	RCZ filter RCZ filter
Color	green
Flammability rating according to UL 94	V0
Mounting position	any
Assembly instructions	In rows with zero spacing

### Standards and Regulations

Connection in acc. with standard	CUL
Flammability rating according to UL 94	V0

### Classifications

#### eCl@ss

eCl@ss 4.0	27371001
eCl@ss 4.1	27371001
eCl@ss 5.0	27371603
eCl@ss 5.1	27371603
eCl@ss 6.0	27371603
eCl@ss 7.0	27371603

# Relay socket - PLC-BPT-230UC/ 1/SEN/SO46 - 2900457

## Classifications

### eCl@ss

eCl@ss 8.0	27371603
------------	----------

### ETIM

ETIM 4.0	EC001456
ETIM 5.0	EC001456

### UNSPSC

UNSPSC 6.01	30211917
UNSPSC 7.0901	39121516
UNSPSC 11	39121516
UNSPSC 12.01	39121516
UNSPSC 13.2	39121516

## Approvals

### Approvals

---

Approvals

UL Recognized / cUL Recognized / GL / EAC / EAC / cULus Recognized

---

### Ex Approvals

---

Approvals submitted

---

### Approval details

UL Recognized
---------------

cUL Recognized
----------------

GL
----

EAC
-----

EAC
-----

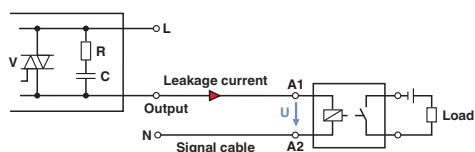
# Relay socket - PLC-BPT-230UC/ 1/SEN/SO46 - 2900457

## Approvals

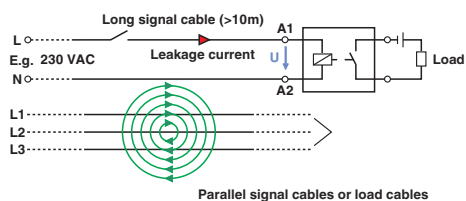


## Drawings

Application drawing



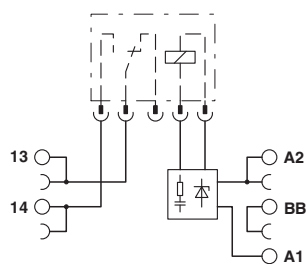
Application drawing



Occurrence of interference signals  
Scenario 1: controller - AC output card

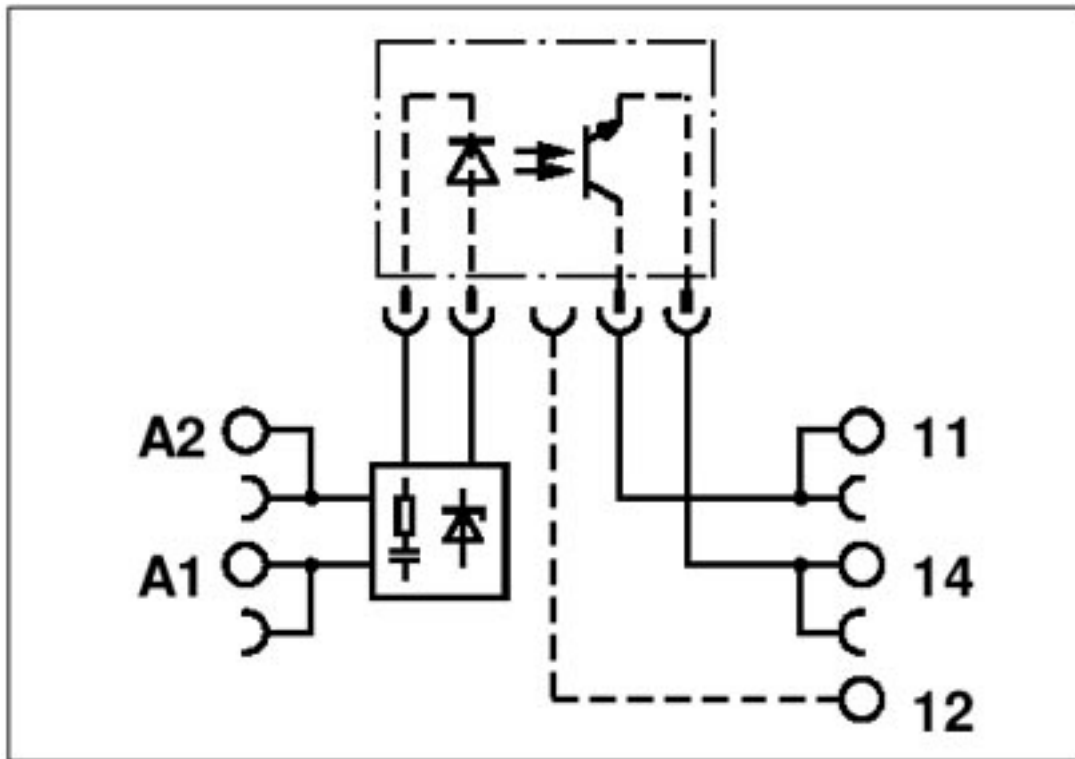
Occurrence of interference signals  
Scenario 2: long signal cables

Circuit diagram



# Relay socket - PLC-BPT-230UC/ 1/SEN/SO46 - 2900457

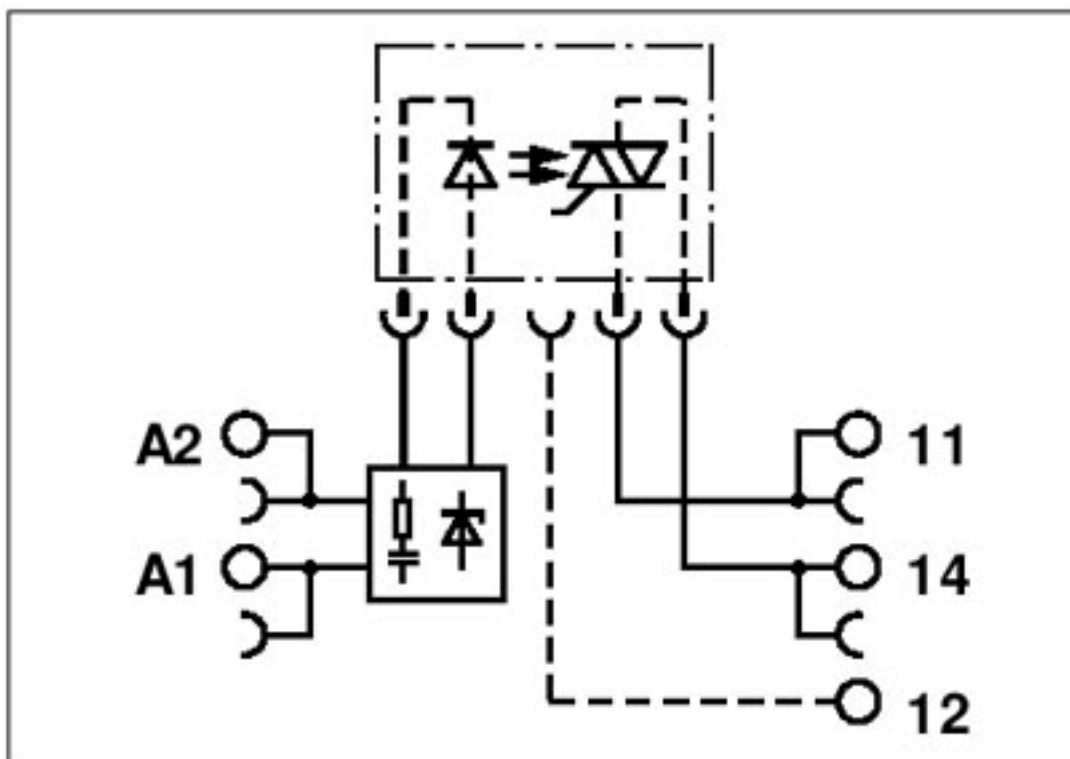
Circuit diagram



DC output

# Relay socket - PLC-BPT-230UC/ 1/SEN/SO46 - 2900457

Circuit diagram



AC output

Phoenix Contact 2016 © - all rights reserved  
<http://www.phoenixcontact.com>

PHOENIX CONTACT GmbH & Co. KG  
Flachsmarktstr. 8  
32825 Blomberg  
Germany  
Tel. +49 5235 300  
Fax +49 5235 3 41200  
<http://www.phoenixcontact.com>



Below is a list of articles with direct links to our shop Electric Automation Network where you can see:

- Quote per purchase volume in real time.
- Online documentation and datasheets of all products.
- Estimated delivery time enquiry in real time.
- Logistics systems for the shipment of materials almost anywhere in the world.
- Purchasing management, order record and tracking of shipments.

To access the product, [click on the green button.](#)

Product	Code	Reference	Product link
6.2 mm PLC basic terminal block with interference current and interference voltage protection on the control side, with push-in connection, without relay or solid-state relay, with sensor supply voltage distribution (BB), 1 N/O contact, input voltage 230 V AC	2900457	PLC-BPT-230UC/ 1/SEN/SO46	<a href="#">Buy on EAN</a>