



**Automatización Eléctrica**  
Especialistas en Automatización

At the end of this document you will find links to products related to this catalog. You can go directly to our shop by clicking [HERE](#). [HERE](#)

# Antenna - RAD-ISM-2400-ANT-OMNI-6-0 - 2885919

Please be informed that the data shown in this PDF Document is generated from our Online Catalog. Please find the complete data in the user's documentation. Our General Terms of Use for Downloads are valid (<http://phoenixcontact.com/download>)

Omnidirectional antenna, 2.4 GHz, 6 dBi, linear vertical, opening angle h/v 360°/30°, N (female), IP55, incl. mounting bracket and mast clips for 45 mm - 100 mm diameter, stainless steel, ATEX & IECEx approval




## Why buy this product

- For mobile applications with a longer range
- ATEX & IECEx approval



## Key Commercial Data

Packing unit	1 STK
GTIN	 4 046356 146319

## Technical data

### Dimensions

Width	22 mm
Height	250 mm

### Ambient conditions

Degree of protection	IP55
Ambient temperature (operation)	-40 °C ... 75 °C
Ambient temperature (storage/transport)	-40 °C ... 75 °C

### General

With connecting cable	No
Frequency range	2.4 GHz
	2.4 GHz ... 2.5 GHz
Horizontal beamwidth	360 °
Vertical beamwidth	30 °
Polarization	Vertical
Impedance	50 Ω

# Antenna - RAD-ISM-2400-ANT-OMNI-6-0 - 2885919

## Technical data

### General

Gain	6 dBi
Connection method	N (female)
Conformance	CE-compliant
ATEX	# II 1G Ex ia IIC T6 Ga
IECEX	Ex ia IIC T6 Ga

### Standards and Regulations

Standards/regulations	EN 60079-0
	EN 60079-11
	EN 60079-26
Conformance	CE-compliant
ATEX	# II 1G Ex ia IIC T6 Ga
IECEX	Ex ia IIC T6 Ga

## Classifications

### eCl@ss

eCl@ss 4.0	27250312
eCl@ss 4.1	27250312
eCl@ss 5.0	19070102
eCl@ss 5.1	19070102
eCl@ss 6.0	19070102
eCl@ss 7.0	19070102
eCl@ss 8.0	19070105
eCl@ss 9.0	19070105

### ETIM

ETIM 2.0	EC000416
ETIM 3.0	EC001698
ETIM 4.0	EC001698
ETIM 5.0	EC001698

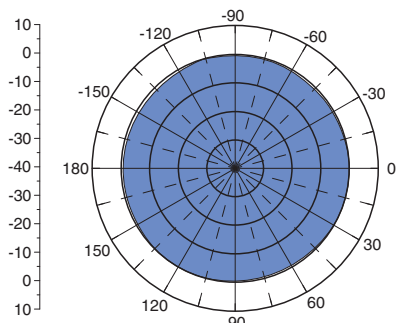
### UNSPSC

UNSPSC 6.01	43171611
UNSPSC 7.0901	43221706
UNSPSC 11	43171611
UNSPSC 12.01	43221706
UNSPSC 13.2	43221706

## Drawings

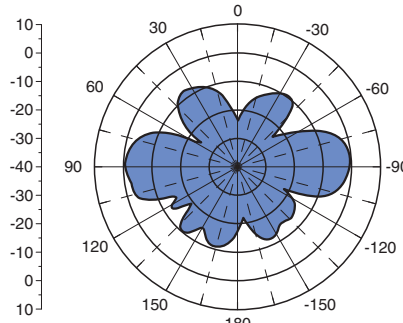
# Antenna - RAD-ISM-2400-ANT-OMNI-6-0 - 2885919

Diagram



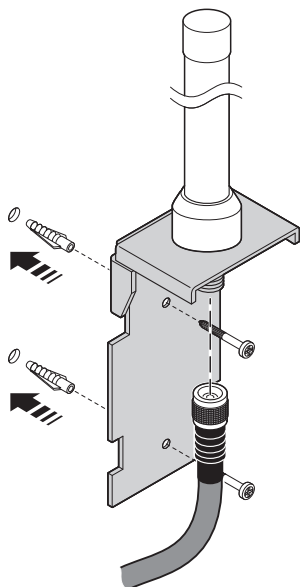
Horizontal

Diagram



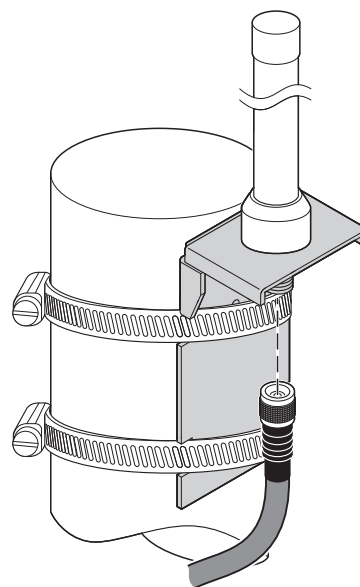
Vertical

Schematic diagram



Wall mounting

Schematic diagram



Mast mounting



Below is a list of articles with direct links to our shop Electric Automation Network where you can see:

- Quote per purchase volume in real time.
- Online documentation and datasheets of all products.
- Estimated delivery time enquiry in real time.
- Logistics systems for the shipment of materials almost anywhere in the world.
- Purchasing management, order record and tracking of shipments.

To access the product, [click on the green button.](#)

Product	Code	Reference	Product link
Omnidirectional antenna, 2.4 GHz, 6 dBi, linear vertical, opening angle h/v 360°/30°, N (female), IP55, incl. mounting bracket and mast clips for 45 mm - 100 mm diameter, stainless steel, ATEX & IECEx approval	2885919	RAD-ISM-2400-ANT-OMNI-6-0	<a href="#">Buy on EAN</a>