



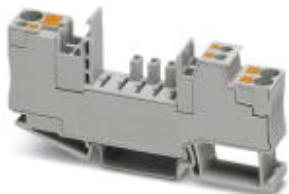
Automatización Eléctrica
Especialistas en Automatización

At the end of this document you will find links to products related to this catalog. You can go directly to our shop by clicking [HERE](#). [HERE](#)

Base element - CB 1/6-2/4 PT-BE - 2800929

Please be informed that the data shown in this PDF Document is generated from our Online Catalog. Please find the complete data in the user's documentation. Our General Terms of Use for Downloads are valid (<http://phoenixcontact.com/download>)


Base element with push-in connection technology for CB ... device circuit breakers



Why buy this product

- For accommodating CB TM.../CB E.... device circuit breakers
- DIN rail module
- With bridge shafts
- Systematic structure with 1-channel base elements possible
- Can be loaded with up to 41 A if two bridges are connected for the supply.

Key Commercial Data

Packing unit	10 STK
GTIN	 4 046356 690638

Technical data

Dimensions

Height	90 mm
Width	12.3 mm
Depth	46.7 mm

Ambient conditions

Ambient temperature (operation)	-30 °C ... 60 °C
Ambient temperature (storage/transport)	-40 °C ... 120 °C
Degree of protection	IP30 (Actuation area)

General

Flammability rating according to UL 94	V0
Mounting type	DIN rail: 35 mm
Color	gray
Overvoltage category	III
Insulating material group	I
Degree of pollution	3

Base element - CB 1/6-2/4 PT-BE - 2800929

Technical data

Electrical data

Nominal voltage U_N	300 V
Rated surge voltage	4 kV
Rated insulation voltage U_i	250 V
Insertion/withdrawal cycles	100

Connection data

Connection name	Connection 1
Connection method	Push-in connection
Stripping length	12 mm
Conductor cross section flexible min.	0.5 mm ²
Conductor cross section flexible max.	6 mm ²
Conductor cross section solid min.	0.5 mm ²
Conductor cross section solid max.	6 mm ²
Conductor cross section AWG min.	20
Conductor cross section AWG max.	10
Connection name	Connection 2.1/2.2
Connection method	Push-in connection
Stripping length	12 mm
Conductor cross section flexible min.	0.2 mm ²
Conductor cross section flexible max.	4 mm ²
Conductor cross section solid min.	0.2 mm ²
Conductor cross section solid max.	6 mm ²
Conductor cross section AWG min.	24
Conductor cross section AWG max.	10
Connection name	Connection 12/11/14
Connection method	Push-in connection
Stripping length	8 mm
Conductor cross section flexible min.	0.14 mm ²
Conductor cross section flexible max.	1.5 mm ²
Conductor cross section solid min.	0.14 mm ²
Conductor cross section solid max.	1.5 mm ²
Conductor cross section AWG min.	26
Conductor cross section AWG max.	16

Standards and Regulations

Standards/specifications	IEC 60947-7-1
--------------------------	---------------

Classifications

eCl@ss

eCl@ss 4.0	27141116
------------	----------

Base element - CB 1/6-2/4 PT-BE - 2800929

Classifications

eCl@ss

eCl@ss 4.1	27141116
eCl@ss 5.0	27141116
eCl@ss 5.1	27141116
eCl@ss 6.0	27141116
eCl@ss 7.0	27141116
eCl@ss 8.0	27141116

ETIM

ETIM 3.0	EC000899
ETIM 4.0	EC000899
ETIM 5.0	EC000899

UNSPSC

UNSPSC 6.01	30211812
UNSPSC 7.0901	39121411
UNSPSC 11	39121411
UNSPSC 12.01	39121411
UNSPSC 13.2	39121411

Approvals

Approvals

Approvals

UL Recognized / cUL Recognized / GL / EAC / EAC / CSA / cULus Recognized

Ex Approvals

Approvals submitted

Approval details

UL Recognized

cUL Recognized

Base element - CB 1/6-2/4 PT-BE - 2800929

Approvals

GL

EAC

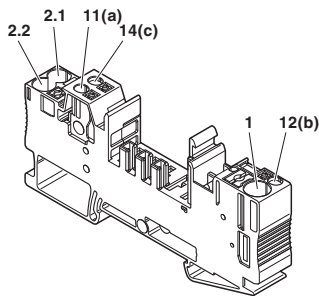
EAC

CSA

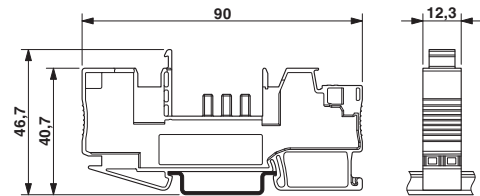
cULus Recognized

Drawings

Connection diagram



Dimensional drawing

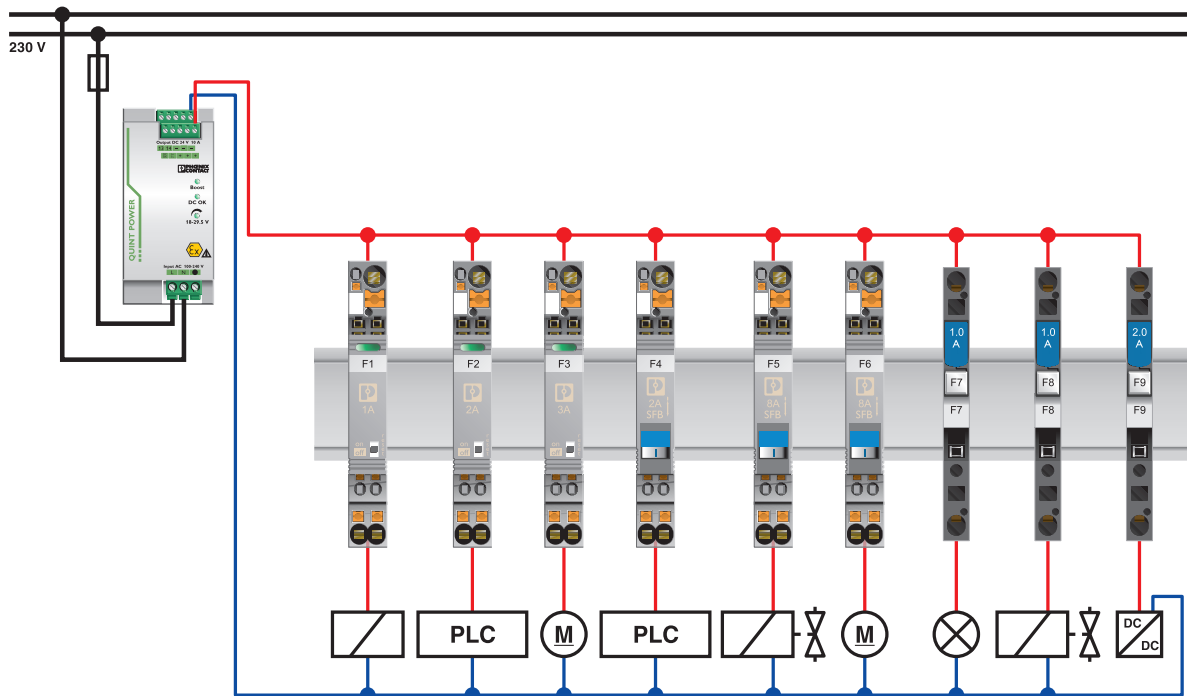


1	12 mm	0.5 - 6 mm ² AWG 20-10			
2.1 / 2.2		0.25 - 6 mm ² AWG 24-10	0.2 - 4 mm ² AWG 24-12		
11(a)/12(b)/14(c)	8 mm	0.14 - 1.5 mm ² AWG 26-16	0.14 - 1 mm ² AWG 26-18	0.14 - 1.5 mm ² AWG 26-16	

Connection of the cables

Base element - CB 1/6-2/4 PT-BE - 2800929

Application drawing



Phoenix Contact 2016 © - all rights reserved
<http://www.phoenixcontact.com>

PHOENIX CONTACT GmbH & Co. KG
Flachsmarktstr. 8
32825 Blomberg
Germany
Tel. +49 5235 300
Fax +49 5235 3 41200
<http://www.phoenixcontact.com>



Automatización Eléctrica
Especialistas en Automatización

Below is a list of articles with direct links to our shop Electric Automation Network where you can see:

- Quote per purchase volume in real time.
- Online documentation and datasheets of all products.
- Estimated delivery time enquiry in real time.
- Logistics systems for the shipment of materials almost anywhere in the world.
- Purchasing management, order record and tracking of shipments.

To access the product, [click on the green button.](#)

Product	Code	Reference	Product link
Base element with push-in connection technology for CB ... device circuit breakers	2800929	CB 1/6-2/4 PT-BE	Buy on EAN