



Automatización Eléctrica
Especialistas en Automatización

At the end of this document you will find links to products related to this catalog. You can go directly to our shop by clicking [HERE](#). [HERE](#)

Type 2 surge protection plug - VAL-MS 600DC-PV-ST - 2800623

Please be informed that the data shown in this PDF Document is generated from our Online Catalog. Please find the complete data in the user's documentation. Our General Terms of Use for Downloads are valid (<http://phoenixcontact.com/download>)



Replacement plug for PV arrester combinations from the VAL-MS 600DC-PV-... product range

Key Commercial Data

Packing unit	1 STK
GTIN	 4 046356 615105

Technical data

Dimensions

Height	52.4 mm
Width	17.5 mm
Depth	55.3 mm
Horizontal pitch	1 Div.

Ambient conditions

Degree of protection	IP20
Ambient temperature (operation)	-40 °C ... 80 °C
Ambient temperature (storage/transport)	-40 °C ... 80 °C
Altitude	≤ 2000 m (amsl (above mean sea level))
Permissible humidity (operation)	5 % ... 95 %
Shock (operation)	60g (Half sine/11 ms/3x #X#Y#Z)
Vibration (operation)	7.5g (5-500 Hz/2.5 h/XYZ)

General

Standards/specifications	EN 50539-11 2013
IEC test classification	PV T2
	PV T2
SPD failure behavior	OCM (Open-circuit mode)
Connection configuration	Y configuration
SPD design	Voltage-limiting type
Installation location	Inside
Accessibility	Accessible

Type 2 surge protection plug - VAL-MS 600DC-PV-ST - 2800623

Technical data

General

Installation location of the disconnect device	Internal
Mounting type	On base element
Color	jet black RAL 9005
Housing material	PA 6.6-FR
Degree of pollution	2
Flammability rating according to UL 94	V-0
Type	Male
Number of positions	1
Surge protection fault message	optical

Protective circuit DC voltage side (DC)

Maximum continuous operating voltage U_{CPV}	400 V DC
Open circuit voltage U_{OCSTC}	≤ 330 V DC
Short-circuit current rating I_{SCPV}	1000 A
Continuous operating current I_{CPV}	20 μ A
Standby power consumption P_C	≤ 25 mVA
Nominal discharge current (8/20) μ s	15 kA
Maximum discharge current I_{max} (8/20) μ s	40 kA
Voltage protection level U_p	≤ 1.4 kV
Residual voltage U_{res}	≤ 1.4 kV (at I_n)
	≤ 1.1 kV (at 5 kA)
	≤ 1.3 kV (at 10 kA)
	≤ 1.5 kV (at 20 kA)
	≤ 1.8 kV (at 30 kA)
	≤ 2 kV (at 40 kA)
Response time t_A	≤ 25 ns
Insulation resistance R_{iso}	> 5 G Ω (at 500 V DC)

UL specifications

SPD Type	4CA
Maximum continuous operating voltage MCOV (L+) - G	800 V DC
Nom. voltage	670 V AC
Mode of protection	(L+) - G
Power distribution system	1
Measured limiting voltage MLV (L+) - G	1550 V
Nominal discharge current I_n (L+) - G	20 kA

Classifications

eCl@ss

eCl@ss 4.0	27140201
------------	----------

Type 2 surge protection plug - VAL-MS 600DC-PV-ST - 2800623

Classifications

eCl@ss

eCl@ss 4.1	27130801
eCl@ss 5.0	27130801
eCl@ss 5.1	27130801
eCl@ss 6.0	27130805
eCl@ss 7.0	27130805
eCl@ss 8.0	27130805

ETIM

ETIM 3.0	EC000941
ETIM 4.0	EC000941
ETIM 5.0	EC000941

UNSPSC

UNSPSC 6.01	30212010
UNSPSC 7.0901	39121610
UNSPSC 11	39121610
UNSPSC 12.01	39121610
UNSPSC 13.2	39121620

Approvals

Approvals

Approvals

UL Recognized / KEMA-KEUR / cUL Recognized / EAC / cULus Recognized

Ex Approvals

Approvals submitted

Approval details



Type 2 surge protection plug - VAL-MS 600DC-PV-ST - 2800623

Approvals

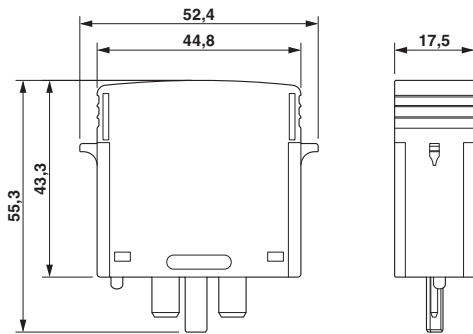
cUL Recognized

EAC

cULus Recognized

Drawings

Dimensional drawing



Circuit diagram



Phoenix Contact 2016 © - all rights reserved
<http://www.phoenixcontact.com>

PHOENIX CONTACT GmbH & Co. KG
Flachsmarktstr. 8
32825 Blomberg
Germany
Tel. +49 5235 300
Fax +49 5235 3 41200
<http://www.phoenixcontact.com>



Below is a list of articles with direct links to our shop Electric Automation Network where you can see:

- Quote per purchase volume in real time.
- Online documentation and datasheets of all products.
- Estimated delivery time enquiry in real time.
- Logistics systems for the shipment of materials almost anywhere in the world.
- Purchasing management, order record and tracking of shipments.

To access the product, [click on the green button.](#)

Product	Code	Reference	Product link
Replacement plug for PV arrester combinations from the VAL-MS 600DC-PV-... product range	2800623	VAL-MS 600DC-PV-ST	Buy on EAN