



**Automatización Eléctrica**  
Especialistas en Automatización

At the end of this document you will find links to products related to this catalog. You can go directly to our shop by clicking [HERE](#). [HERE](#)

## Electronic housing - EG 67,5-AG/PC GN - 2764946

Please be informed that the data shown in this PDF Document is generated from our Online Catalog. Please find the complete data in the user's documentation. Our General Terms of Use for Downloads are valid (<http://phoenixcontact.com/download>)

Housing cover, closed



Illustration shows a fully mounted version of the electronic housing

### Why buy this product

- Tool-free mounting
- Functional and industry-oriented housing technology
- Fast snap-on mounting on symmetrical DIN rails according to EN 60715
- Optimum accommodation of electronic components with graded pitches with a design width of 22.5 mm, 45 mm, 67.5 mm, and 90 mm
- Date of manufacture and material and part identification embossed on the housing (recyclability)
- Practical and easy-to-wire conductor connection using extra finely stranded sturdy screw terminal blocks up to 2.5 mm<sup>2</sup>
- Shock and contamination-proof accommodation of electronic components (IP40 housing, IP20 terminal blocks)

### Key Commercial Data

Packing unit	10 STK
GTIN	 4 017918 131982

### Technical data

#### General

Housing type	Component housing
Color	green

#### Dimensions

Constructional height	17.5 mm
Width	67.5 mm

#### Technical data

Flammability rating according to UL 94	V0
Number of positions	26

#### Standards and Regulations

Flammability rating according to UL 94	V0
--	----

# Electronic housing - EG 67,5-AG/PC GN - 2764946

## Classifications

### eCl@ss

eCl@ss 4.0	27180401
eCl@ss 4.1	27180401
eCl@ss 5.0	27180506
eCl@ss 5.1	27180506
eCl@ss 6.0	27180802
eCl@ss 7.0	27182702
eCl@ss 8.0	27182702
eCl@ss 9.0	27182702

### ETIM

ETIM 2.0	EC001031
ETIM 3.0	EC001031
ETIM 4.0	EC001031
ETIM 5.0	EC001031

### UNSPSC

UNSPSC 6.01	31261501
UNSPSC 7.0901	31261501
UNSPSC 11	31261501
UNSPSC 12.01	31261501
UNSPSC 13.2	31261501

## Approvals

### Approvals

---

Approvals

UL Recognized

---

Ex Approvals

---

Approvals submitted

---

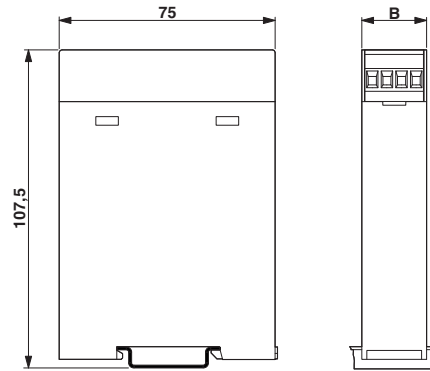
### Approval details

UL Recognized 
---

# Electronic housing - EG 67,5-AG/PC GN - 2764946

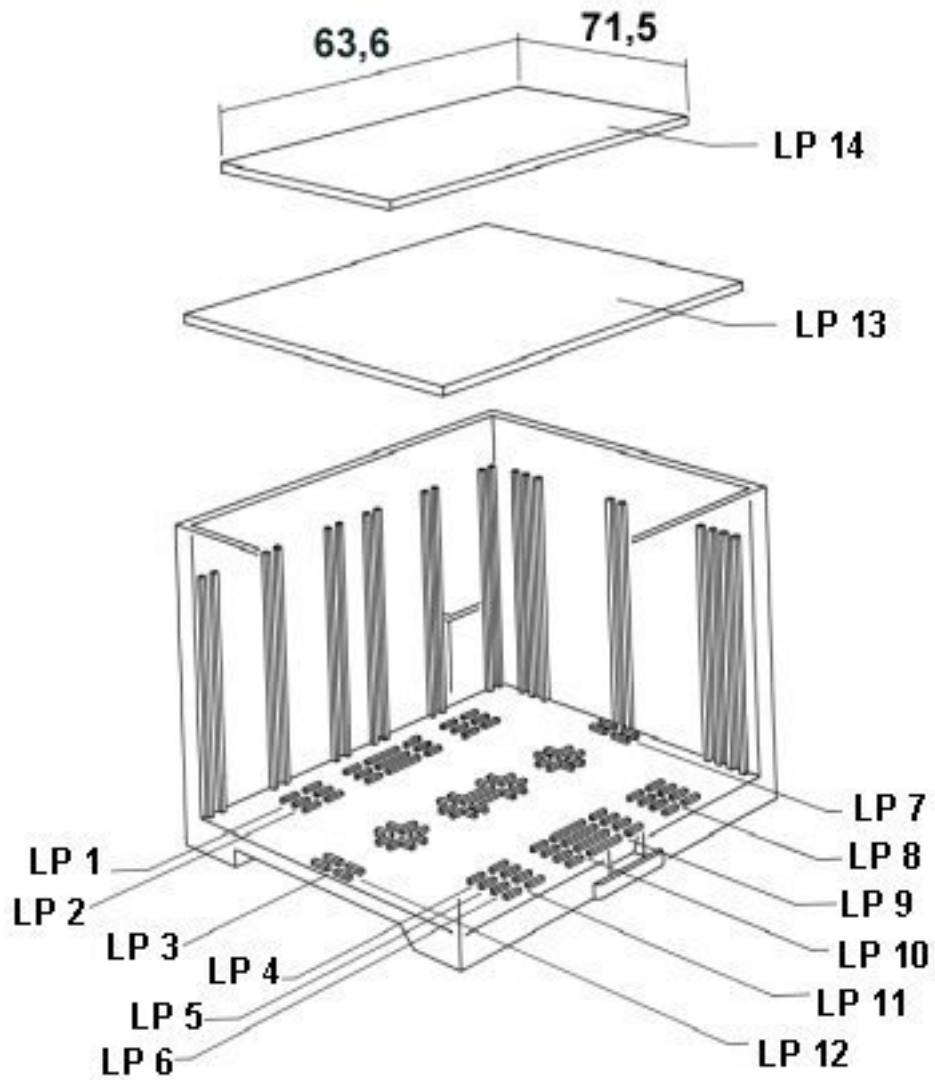
## Drawings

Dimensional drawing



# Electronic housing - EG 67,5-AG/PC GN - 2764946

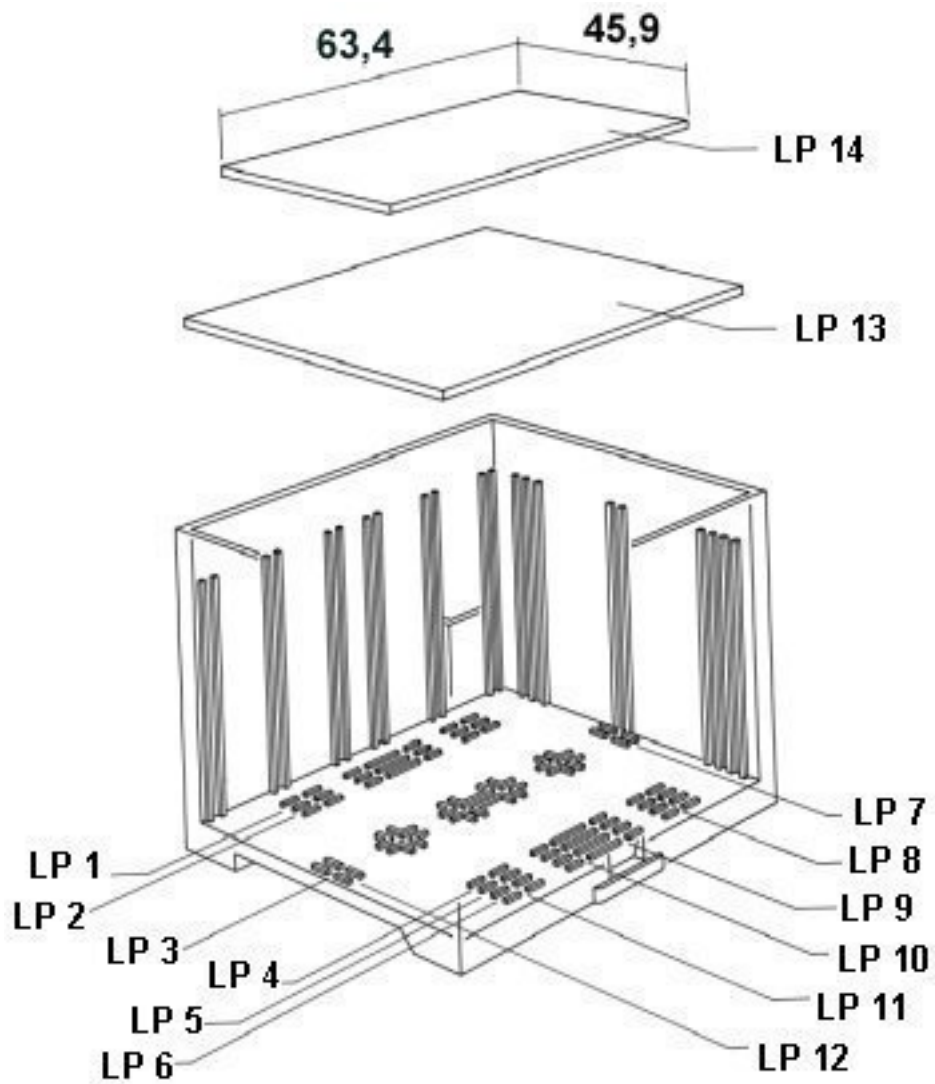
Explosion drawing



valid for PCB 13

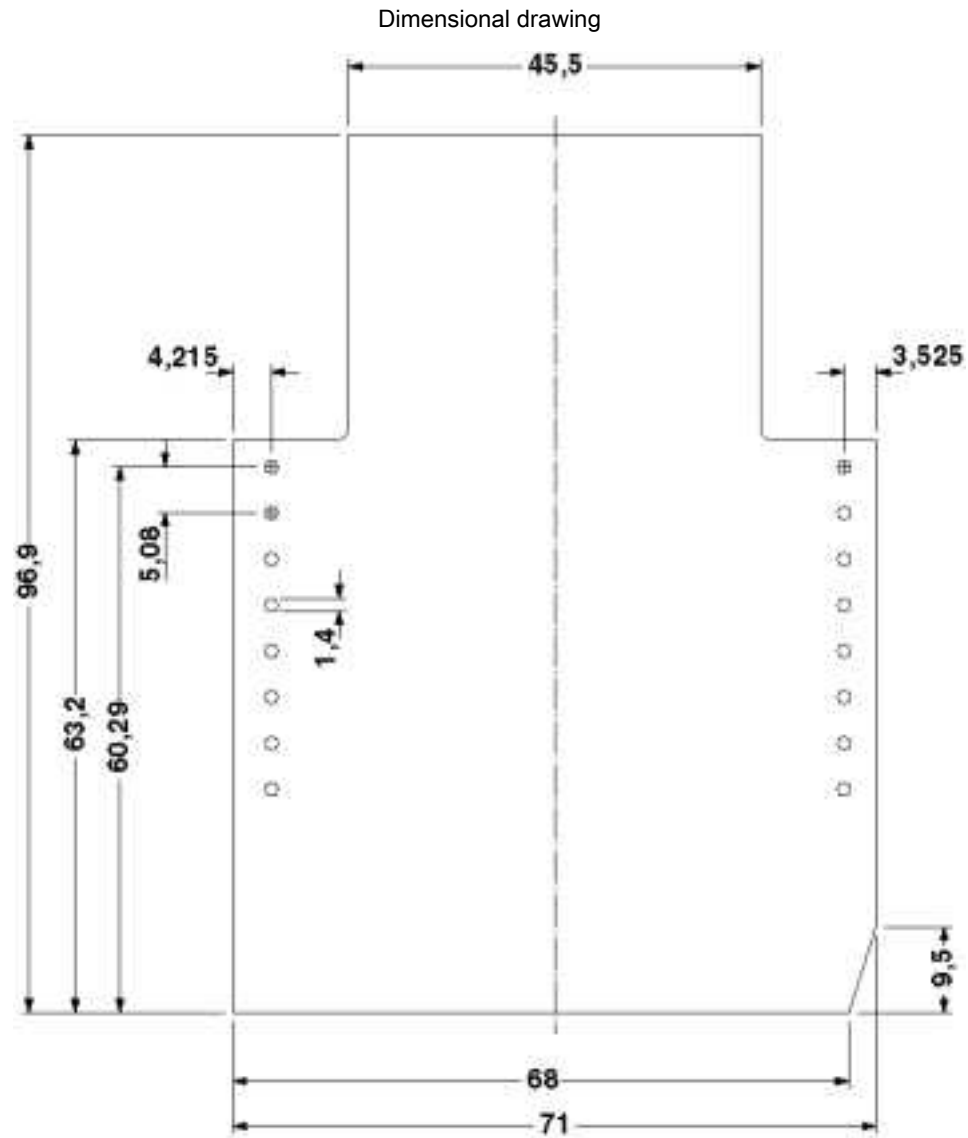
# Electronic housing - EG 67,5-AG/PC GN - 2764946

Explosion drawing



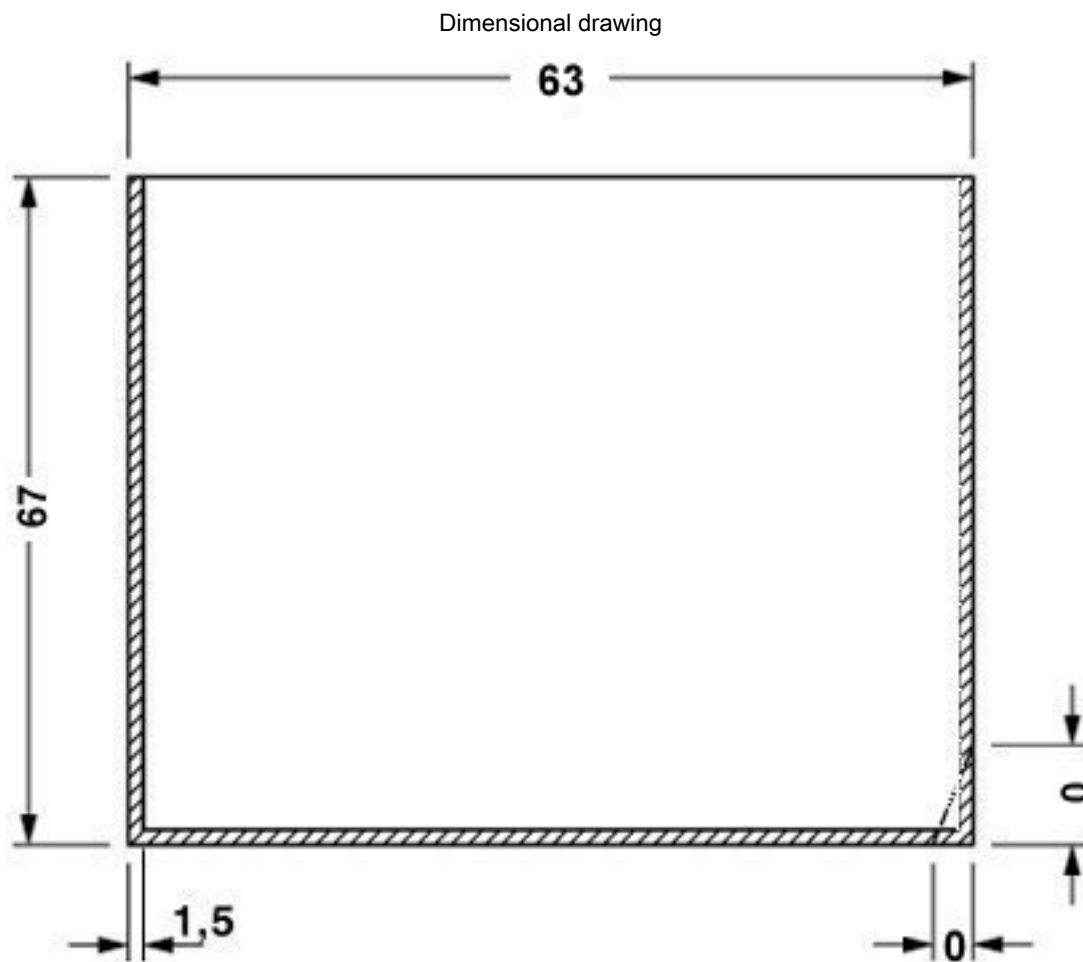
valid for PCB 14

# Electronic housing - EG 67,5-AG/PC GN - 2764946



Component mounting side, if the double-level upper part is used

## Electronic housing - EG 67,5-AG/PC GN - 2764946

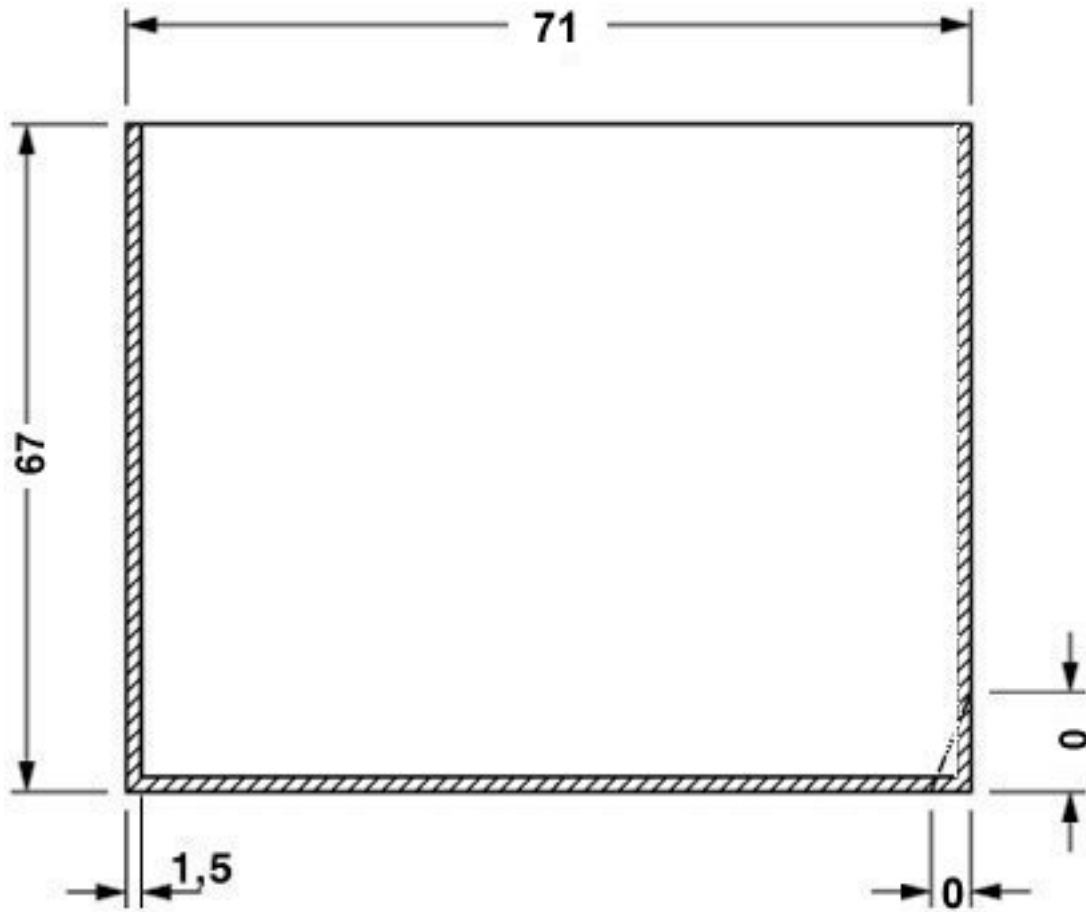


valid for PCB 1; 2; 3; 4; 5 und 6, see explosion drawing



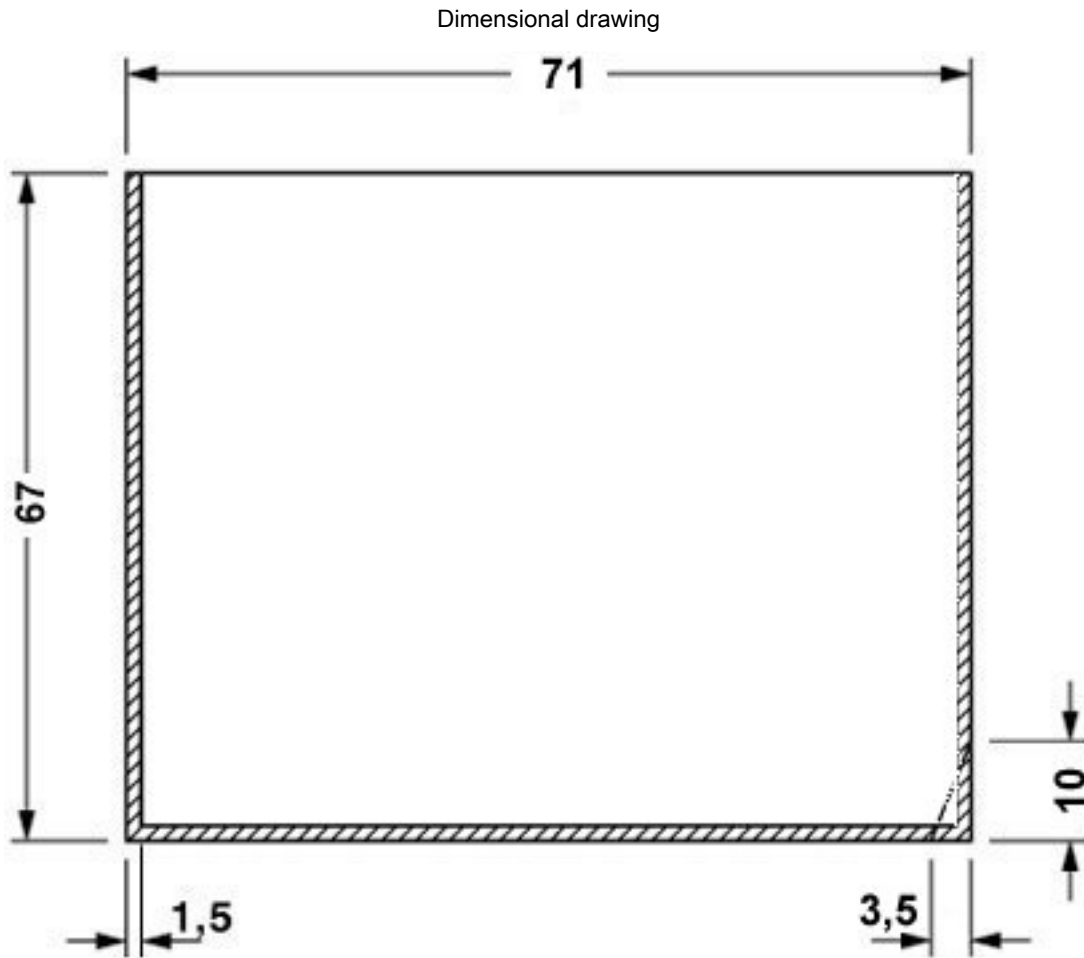
# Electronic housing - EG 67,5-AG/PC GN - 2764946

Dimensional drawing



valid for PCB 7; 8; 11 and 12, see explosion drawing

## Electronic housing - EG 67,5-AG/PC GN - 2764946



valid for PCB 9, see explosion drawing

Phoenix Contact 2016 © - all rights reserved  
<http://www.phoenixcontact.com>

PHOENIX CONTACT GmbH & Co. KG  
Flachsmarktstr. 8  
32825 Blomberg  
Germany  
Tel. +49 5235 300  
Fax +49 5235 3 41200  
<http://www.phoenixcontact.com>



Below is a list of articles with direct links to our shop Electric Automation Network where you can see:

- Quote per purchase volume in real time.
- Online documentation and datasheets of all products.
- Estimated delivery time enquiry in real time.
- Logistics systems for the shipment of materials almost anywhere in the world.
- Purchasing management, order record and tracking of shipments.

To access the product, [click on the green button.](#)

Product	Code	Reference	Product link
Housing cover, closed	2764946	EG 67,5-AG/PC GN	<a href="#">Buy on EAN</a>