



Automatización Eléctrica
Especialistas en Automatización

At the end of this document you will find links to products related to this catalog. You can go directly to our shop by clicking [HERE](#). [HERE](#)

Mounting base housing - EG 22,5-GP/ABS GN - 2764056

Please be informed that the data shown in this PDF Document is generated from our Online Catalog. Please find the complete data in the user's documentation. Our General Terms of Use for Downloads are valid (<http://phoenixcontact.com/download>)



Housing base, with snap foot and test opening with side cover

Illustration shows a fully mounted version of the electronic housing

Why buy this product

- Tool-free mounting
- Practical and easy-to-wire conductor connection using extra finely stranded sturdy screw terminal blocks up to 2.5 mm²
- Date of manufacture and material and part identification embossed on the housing (recyclability)
- Optimum accommodation of electronic components with graded pitches with a design width of 22.5 mm, 45 mm, 67.5 mm, and 90 mm
- Functional and industry-oriented housing technology
- Fast snap-on mounting on symmetrical DIN rails according to EN 60715
- Shock and contamination-proof accommodation of electronic components (IP40 housing, IP20 terminal blocks)

Key Commercial Data

| | |
|--------------|---------------------|
| Packing unit | 10 STK |
| GTIN | 4 017918 065812 |

Technical data

General

| | |
|------------------|-------------------------------|
| Housing type | Component housing |
| Housing material | Acryl butadiene styrene (ABS) |
| Color | green |

Ambient conditions

| | |
|---------------------------------|------------------|
| Ambient temperature (operation) | -40 °C ... 80 °C |
|---------------------------------|------------------|

Dimensions

| | |
|-----------------------|----------|
| Length | 75 mm |
| Constructional height | 107.5 mm |
| Width | 22.5 mm |

Technical data

| | |
|--|----|
| Flammability rating according to UL 94 | HB |
|--|----|

Mounting base housing - EG 22,5-GP/ABS GN - 2764056

Technical data

Technical data

| | |
|----------------------------------|-------|
| Power dissipation without gap | 1.7 W |
| Power dissipation with 20 mm gap | 2.7 W |
| Number of positions | 8 |

Standards and Regulations

| | |
|--|----|
| Flammability rating according to UL 94 | HB |
|--|----|

Classifications

eCl@ss

| | |
|------------|----------|
| eCl@ss 4.0 | 27180401 |
| eCl@ss 4.1 | 27180401 |
| eCl@ss 5.0 | 27180506 |
| eCl@ss 5.1 | 27180506 |
| eCl@ss 6.0 | 27180802 |
| eCl@ss 7.0 | 27182702 |
| eCl@ss 8.0 | 27182702 |
| eCl@ss 9.0 | 27182702 |

ETIM

| | |
|----------|----------|
| ETIM 2.0 | EC001031 |
| ETIM 3.0 | EC001031 |
| ETIM 4.0 | EC001031 |
| ETIM 5.0 | EC001031 |

UNSPSC

| | |
|---------------|----------|
| UNSPSC 6.01 | 31261501 |
| UNSPSC 7.0901 | 31261501 |
| UNSPSC 11 | 31261501 |
| UNSPSC 12.01 | 31261501 |
| UNSPSC 13.2 | 31261501 |

Approvals

Approvals

Approvals

UL Recognized


Ex Approvals

Mounting base housing - EG 22,5-GP/ABS GN - 2764056

Approvals

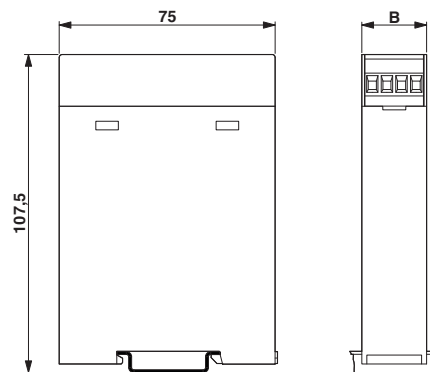
Approvals submitted

Approval details

UL Recognized 

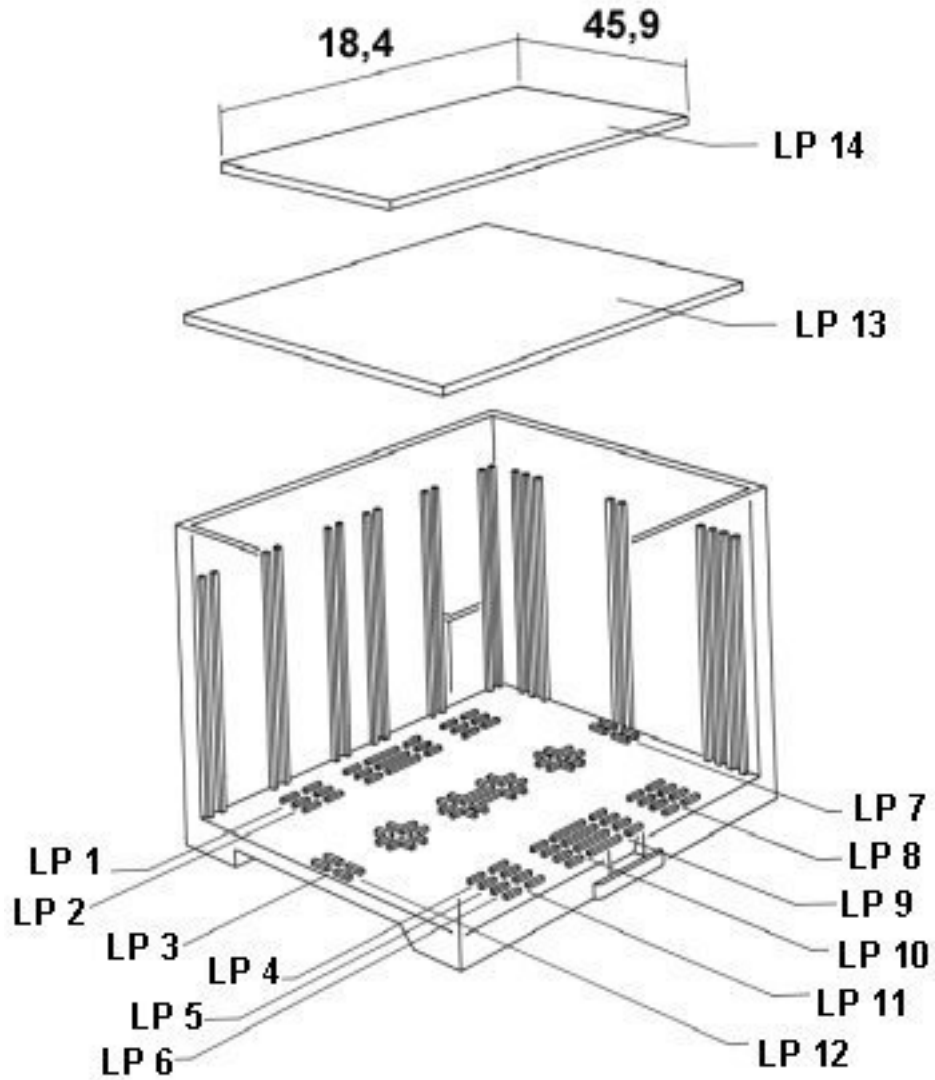
Drawings

Dimensional drawing



Mounting base housing - EG 22,5-GP/ABS GN - 2764056

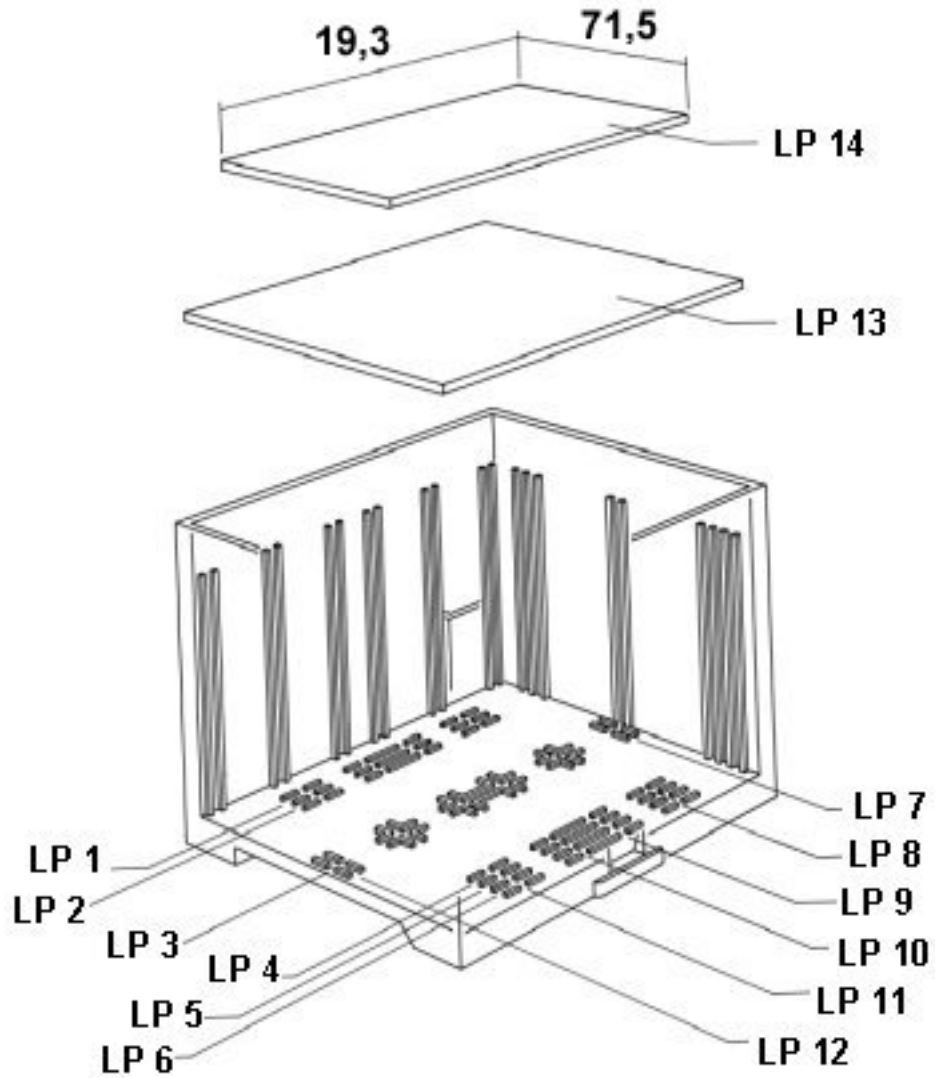
Explosion drawing



valid for PCB 14

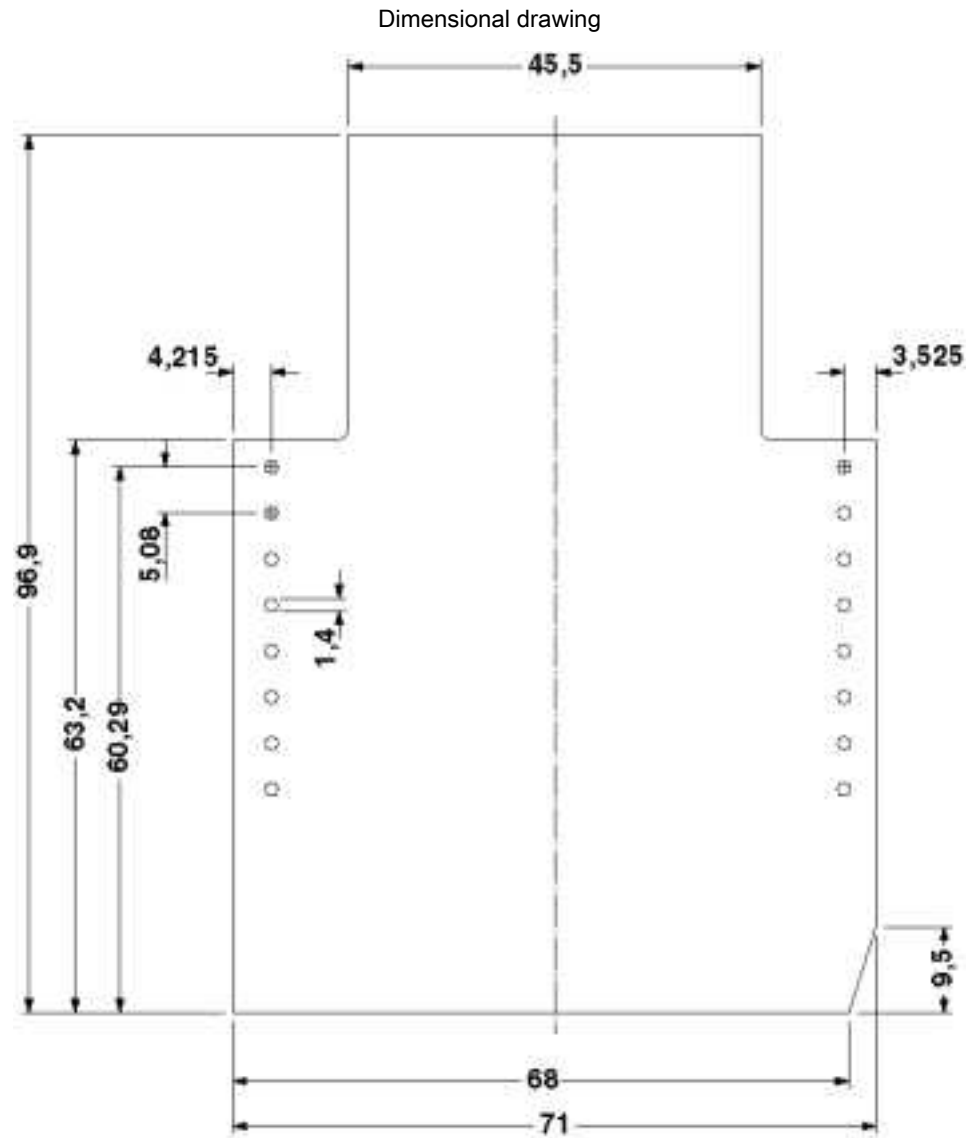
Mounting base housing - EG 22,5-GP/ABS GN - 2764056

Explosion drawing



valid for PCB 13

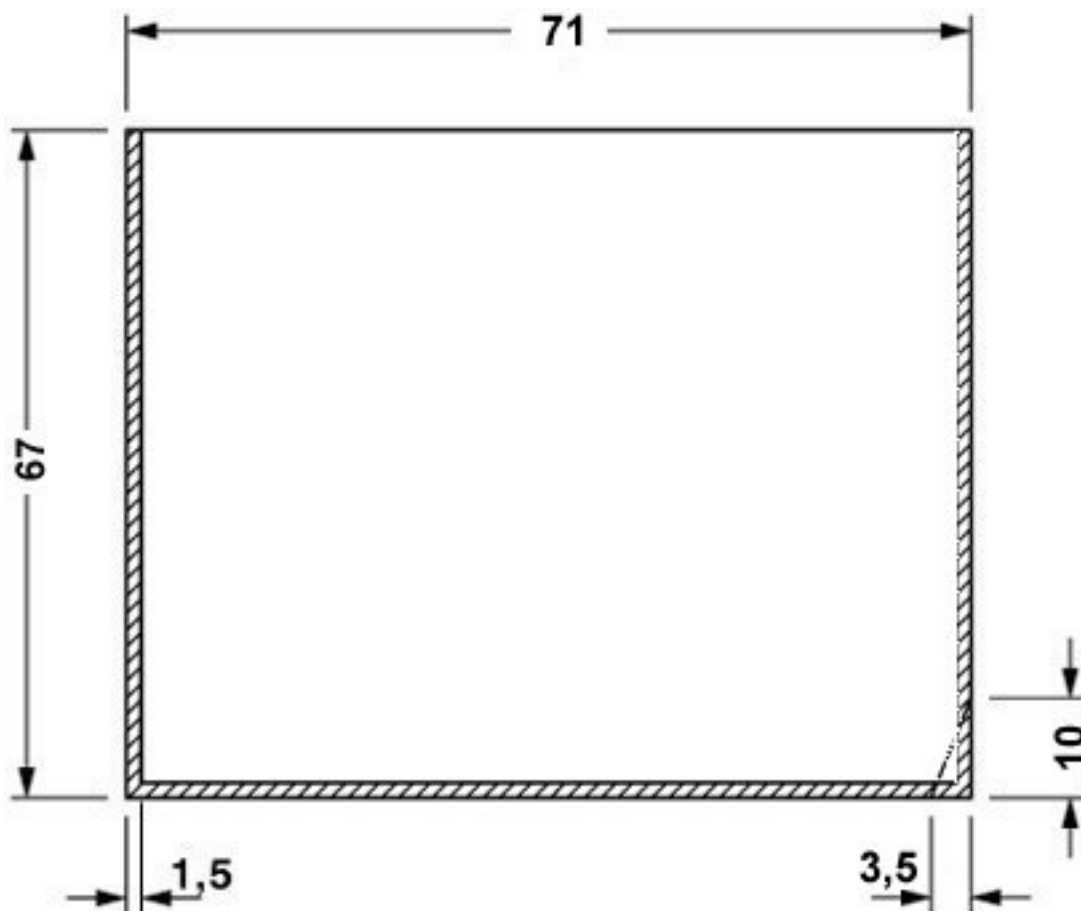
Mounting base housing - EG 22,5-GP/ABS GN - 2764056



Component mounting side, if the double-level upper part is used

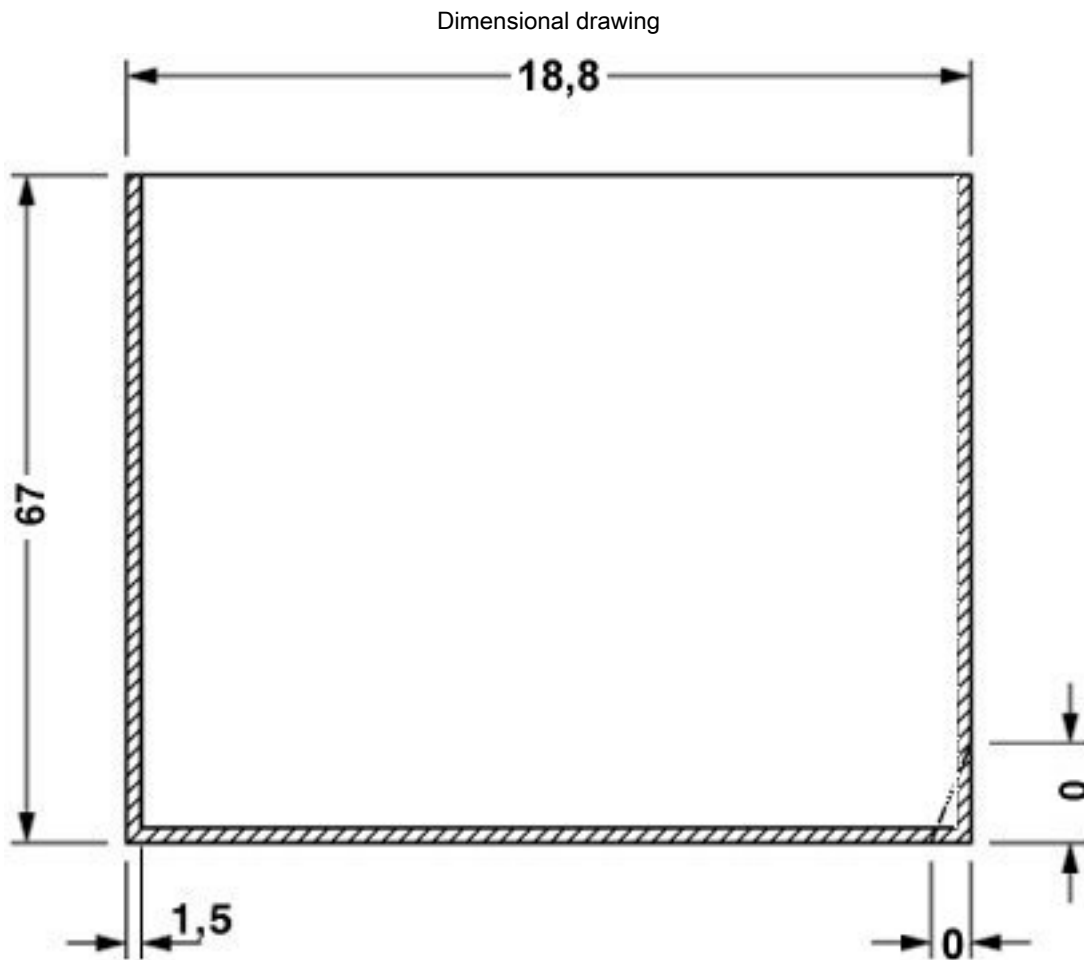
Mounting base housing - EG 22,5-GP/ABS GN - 2764056

Dimensional drawing



valid for PCB 7, see explosion drawing

Mounting base housing - EG 22,5-GP/ABS GN - 2764056



valid for PCB 1, see explosion drawing

Phoenix Contact 2016 © - all rights reserved
<http://www.phoenixcontact.com>

PHOENIX CONTACT GmbH & Co. KG
Flachsmarktstr. 8
32825 Blomberg
Germany
Tel. +49 5235 300
Fax +49 5235 3 41200
<http://www.phoenixcontact.com>



Below is a list of articles with direct links to our shop Electric Automation Network where you can see:

- Quote per purchase volume in real time.
- Online documentation and datasheets of all products.
- Estimated delivery time enquiry in real time.
- Logistics systems for the shipment of materials almost anywhere in the world.
- Purchasing management, order record and tracking of shipments.

To access the product, [click on the green button.](#)

| Product | Code | Reference | Product link |
|---|---------|-------------------|----------------------------|
| Housing base, with snap foot and test opening with side cover | 2764056 | EG 22,5-GP/ABS GN | Buy on EAN |