



**Automatización Eléctrica**  
Especialistas en Automatización

At the end of this document you will find links to products related to this catalog. You can go directly to our shop by clicking [HERE](#). [HERE](#)

# Interface converter - PSM-ME-RS232/TTY-P - 2744458

Please be informed that the data shown in this PDF Document is generated from our Online Catalog. Please find the complete data in the user's documentation. Our General Terms of Use for Downloads are valid (<http://phoenixcontact.com/download>)



Interface converter, for converting RS-232 (V.24) to TTY, with electrical isolation, 2 channels, rail-mountable

## Why buy this product

- Mounting on standard EN DIN rails
- Transmission distances of up to 1000 m in active TTY mode
- High-quality 3-way isolation up to 2 kV (VCC // RS-232 // TTY)
- In the case of variable cable lengths, the TTY connection on the field side can be established conveniently using plug-in screw terminal blocks
- Integrated surge protection with transient discharge to the DIN rail
- Conversion of RS-232 TxD/RxD full duplex data signals to the TTY current loop standard
- Semi-active, active or passive TTY mode, depending on pin assignment
- 24 V DC or AC power supply suitable for the control cabinet
- Active data transmission indicated by separate data indicators for the transmit and receive channels
- RS-232 connection via 9-pos. D-SUB and standard RS-232 cable
- Transmission speed of up to 19.2 kbps



## Key Commercial Data

Packing unit	1 STK
GTIN	 4 017918 171803

## Technical data

### Note

Utilization restriction	EMC: class A product, see manufacturer's declaration in the download area
-------------------------	---

### Dimensions

Width	22.5 mm
Height	99 mm
Depth	118.6 mm

# Interface converter - PSM-ME-RS232/TTY-P - 2744458

## Technical data

### Ambient conditions

Ambient temperature (operation)	0 °C ... 55 °C
Ambient temperature (storage/transport)	-40 °C ... 85 °C
Permissible humidity (operation)	10 % ... 95 % (non-condensing)
Altitude	5000 m (For restrictions see manufacturer's declaration)
Degree of protection	IP20
Noise immunity	EN 61000-6-2:2005

### General

Transmission channels	2 (1/1), RxD, TxD, full duplex
Bit delay	< 3 µs
Bit distortion	< 5 %
Electrical isolation	VCC // V.24 (RS-232) // TTY
Test voltage data interfaces	2 kV AC
Test voltage data interface/power supply	2 kV AC
	2 kV
Electromagnetic compatibility	Conformance with EMC Directive 2004/108/EC (valid until 19.04.2016) / 2014/30/EU (valid from 20.04.2016)
Noise emission	EN 61000-6-4
Net weight	179.6 g
Housing material	PA
Color	green
MTBF	1989 Years (Telcordia standard, 25°C temperature, 21% operating cycle (5 days a week, 8 hours a day))
	410 Years (Telcordia standard, 40°C temperature, 34.25% operating cycle (5 days a week, 12 hours a day))
Conformance	CE-compliant
UL, USA / Canada	508 recognized
	Class I, Div. 2, Groups A, B, C, D
	Class I, Zone 2, AEx nA IIC T4
	Class I, Zone 2, Ex nA IIC T4 Gc X

### Power supply

Nominal supply voltage	24 V AC/DC ±20 %
Typical current consumption	75 mA (24 V DC)

### Serial interface

Interface 1	V.24 (RS-232) interface in acc. with ITU-T V.28, EIA/TIA-232, DIN 66259-1
Connection method	D-SUB-9 plug
Transmission length	15 m (twisted pair)
Conductor cross section flexible min.	0.2 mm <sup>2</sup>
Conductor cross section flexible max.	2.5 mm <sup>2</sup>
Conductor cross section AWG min.	24
Conductor cross section AWG max.	13

# Interface converter - PSM-ME-RS232/TTY-P - 2744458

## Technical data

### Serial interface

Serial transmission speed	≤ 19.2 kbps
Interface 2	TTY interface, CL2 in acc. with DIN 66348-1
Operating mode	Active, semi active, passive
Connection method	Pluggable screw connection
Transmission length	1000 m (twisted pair)
Conductor cross section flexible min.	0.2 mm <sup>2</sup>
Conductor cross section flexible max.	2.5 mm <sup>2</sup>
Conductor cross section AWG min.	24
Conductor cross section AWG max.	13
Load/output load current output	≤ 500 Ω
Serial transmission speed	≤ 19.2 kbps

### Standards and Regulations

Electromagnetic compatibility	Conformance with EMC Directive 2004/108/EC (valid until 19.04.2016) / 2014/30/EU (valid from 20.04.2016)
Noise emission	EN 61000-6-4
Noise immunity	EN 61000-6-2:2005
Connection in acc. with standard	CUL
Conformance	CE-compliant
UL, USA / Canada	508 recognized
	Class I, Div. 2, Groups A, B, C, D
	Class I, Zone 2, AEx nA IIC T4
	Class I, Zone 2, Ex nA IIC T4 Gc X

## Classifications

### eCl@ss

eCl@ss 4.0	27250312
eCl@ss 4.1	27250312
eCl@ss 5.0	27242208
eCl@ss 5.1	27242208
eCl@ss 6.0	27242208
eCl@ss 7.0	27242208
eCl@ss 8.0	19179290

### ETIM

ETIM 2.0	EC000698
ETIM 3.0	EC000698
ETIM 4.0	EC000698
ETIM 5.0	EC000310

# Interface converter - PSM-ME-RS232/TTY-P - 2744458

## Classifications

### UNSPSC

UNSPSC 6.01	30211506
UNSPSC 7.0901	39121008
UNSPSC 11	39121008
UNSPSC 12.01	39121008
UNSPSC 13.2	43201553

## Approvals

### Approvals

#### Approvals

UL Recognized / cUL Recognized / DNV / EAC / cULus Recognized

#### Ex Approvals

cUL Recognized / UL Listed / cUL Listed / cULus Listed

#### Approvals submitted

### Approval details

UL Recognized

cUL Recognized

DNV

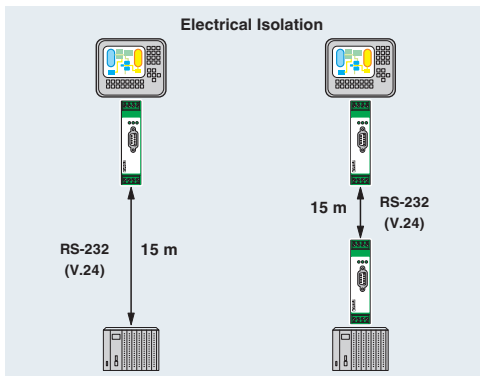
EAC

cULus Recognized

## Drawings

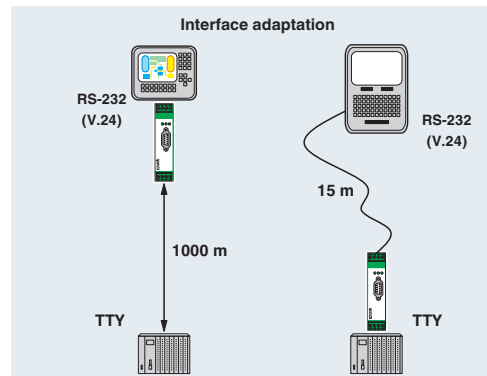
# Interface converter - PSM-ME-RS232/TTY-P - 2744458

Application drawing



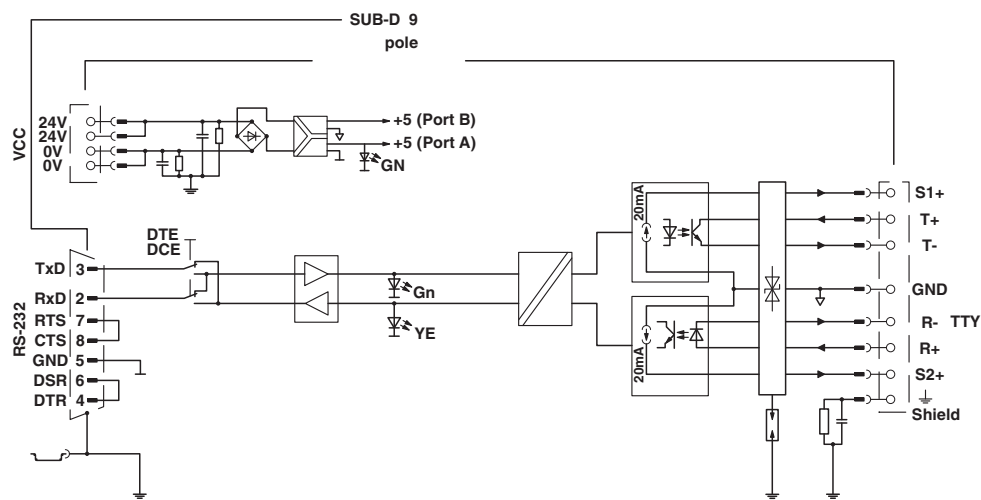
Electrical isolation

Application drawing



Interface adaptation

Circuit diagram





**Automatización Eléctrica**  
Especialistas en Automatización

Below is a list of articles with direct links to our shop Electric Automation Network where you can see:

- Quote per purchase volume in real time.
- Online documentation and datasheets of all products.
- Estimated delivery time enquiry in real time.
- Logistics systems for the shipment of materials almost anywhere in the world.
- Purchasing management, order record and tracking of shipments.

To access the product, [click on the green button.](#)

Product	Code	Reference	Product link
Interface converter, for converting RS-232 (V.24) to TTY, with electrical isolation, 2 channels, rail-mountable	2744458	PSM-ME-RS232/TTY-P	<a href="#">Buy on EAN</a>