



**Automatización Eléctrica**  
Especialistas en Automatización

At the end of this document you will find links to products related to this catalog. You can go directly to our shop by clicking [HERE](#). [HERE](#)

## Distributed I/O device - FLS PB M12 DIO 8/8 M12 - 2736372

Please be informed that the data shown in this PDF Document is generated from our Online Catalog. Please find the complete data in the user's documentation. Our General Terms of Use for Downloads are valid (<http://phoenixcontact.com/download>)



The stand-alone device for PROFIBUS has 8 digital inputs and 8 digital outputs each with a load capacity of 500 mA. The M12 connection is established using fast connection technology. The 24 V DC supply is protected against short circuit and overload.

### Why buy this product

- Flexible power supply concept
- Short-circuit and overload protection
- SPEEDCON fast locking system
- Diagnostic and status indicators
- Directly accessible address encoding switch
- Consistent connection via M12 connectors



### Key Commercial Data

Packing unit	1 STK
GTIN	 4 017918 939199

### Technical data

#### Note

Utilization restriction	EMC: class A product, see manufacturer's declaration in the download area
-------------------------	---

#### Dimensions

Width	60 mm
Height	178 mm
Depth	49.3 mm
Drill hole spacing	168 mm

#### Ambient conditions

Ambient temperature (operation)	-25 °C ... 60 °C
Ambient temperature (storage/transport)	-25 °C ... 85 °C
Permissible humidity (storage/transport)	95 %
Air pressure (operation)	80 kPa ... 106 kPa (up to 2000 m above sea level)

# Distributed I/O device - FLS PB M12 DIO 8/8 M12 - 2736372

## Technical data

### Ambient conditions

Air pressure (storage/transport)	70 kPa ... 106 kPa (up to 3000 m above sea level)
Degree of protection	IP65/IP67

### General

Net weight	340 g
Mounting type	Wall mounting

### Interfaces

Fieldbus system	PROFIBUS DP
Designation	PROFIBUS DP
Connection method	2x M12 connectors, B-coded
Designation connection point	Copper cable
Transmission speed	9,6 kBit/s ... 12 MBit/s (Automatic baud rate detection)
Transmission physics	PROFIBUS-DP-compliant copper cable
Address area assignment	1 ... 99, can be set
Number of positions	5

### Power supply for module electronics

Connection method	M12 connector, (A-coded)
Designation	$U_L$
Supply voltage	24 V DC
Supply voltage range	18 V DC ... 30 V DC (including ripple)

### Fieldline potentials

Voltage supply $U_L$	24 V DC
Power supply at $U_L$	max. 4 A
Current consumption from $U_L$	typ. 40 mA
	max. 100 mA
Voltage supply $U_S$	24 V DC
Power supply at $U_S$	max. 4 A
Current consumption from $U_S$	typ. 10 mA (plus sensor current)
	max. 500 mA
Voltage supply $U_{A11}$	24 V DC
Power supply at $U_{A11}$	max. 4 A
Current consumption at $U_{A11}$	typ. 6 mA (plus actuator current)
	max. 4 A
Voltage supply $U_{A12}$	24 V DC
Power supply at $U_{A12}$	max. 4 A
Current consumption at $U_{A12}$	typ. 6 mA (plus actuator current)
	max. 4 A

### Digital inputs

Input name	Digital inputs
------------	----------------

## Distributed I/O device - FLS PB M12 DIO 8/8 M12 - 2736372

### Technical data

#### Digital inputs

Connection method	M12 connector, double occupancy
	2, 3, 4-wire
Number of inputs	8
Protective circuit	Protection against polarity reversal
Filter time	3 ms
Input characteristic curve	IEC 61131-2 type 1
Input voltage	24 V DC
Input voltage range "0" signal	-30 V DC ... 5 V DC
Input voltage range "1" signal	13 V DC ... 30 V DC

#### Digital outputs

Output name	Digital outputs
Connection method	M12 connector, double occupancy
	2, 3-wire
Number of outputs	8
Protective circuit	Short-circuit protection
Output voltage	24 V DC
Maximum output current per channel	500 mA

#### Standards and Regulations

Test section	To I/O 500 V AC
Connection in acc. with standard	CUL
Protection class	III, IEC 61140, EN 61140, VDE 0140-1

### Classifications

#### eCl@ss

eCl@ss 4.0	27250302
eCl@ss 4.1	27250302
eCl@ss 5.0	27250302
eCl@ss 5.1	27242604
eCl@ss 6.0	27242604
eCl@ss 7.0	27242604
eCl@ss 8.0	27242604
eCl@ss 9.0	27242604

#### ETIM

ETIM 2.0	EC001430
ETIM 3.0	EC001599
ETIM 4.0	EC001599
ETIM 5.0	EC001599

# Distributed I/O device - FLS PB M12 DIO 8/8 M12 - 2736372

## Classifications

### UNSPSC

UNSPSC 6.01	43172015
UNSPSC 7.0901	43201404
UNSPSC 11	43172015
UNSPSC 12.01	43201404
UNSPSC 13.2	43201404

## Approvals

### Approvals

#### Approvals

UL Recognized / cUL Recognized / PROFIBUS / cULus Recognized

#### Ex Approvals

UL Recognized / cUL Recognized / cULus Recognized

#### Approvals submitted

### Approval details

UL Recognized

cUL Recognized

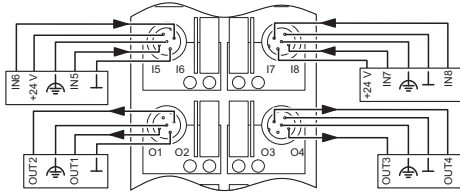
PROFIBUS

cULus Recognized

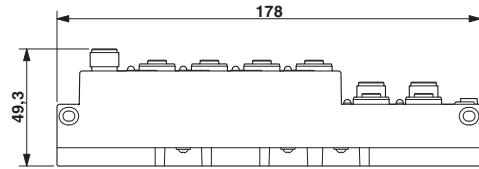
## Drawings

# Distributed I/O device - FLS PB M12 DIO 8/8 M12 - 2736372

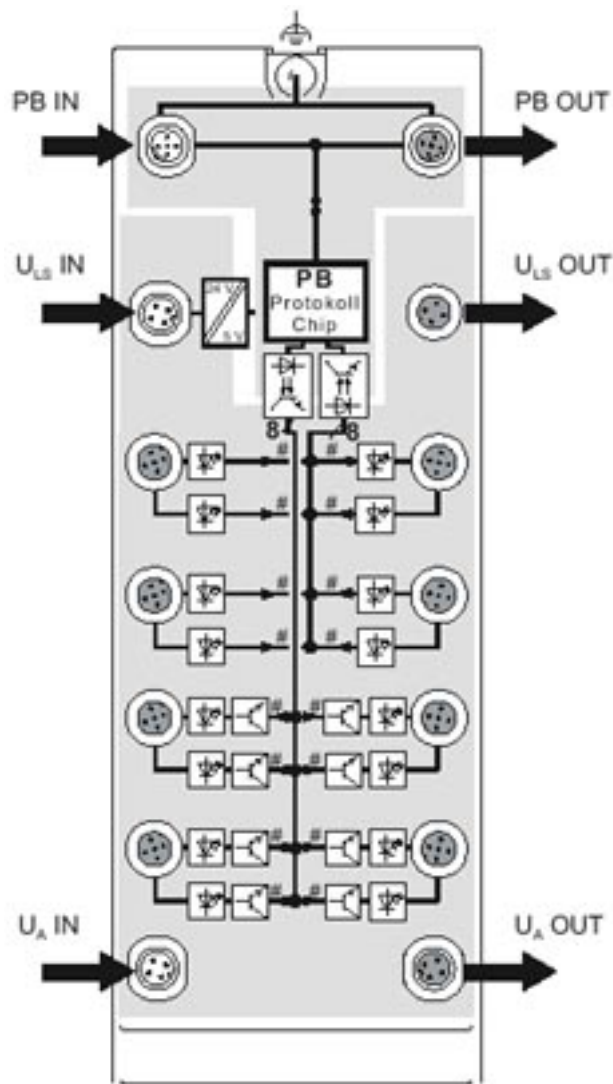
Connection diagram



Dimensional drawing



Block diagram



Phoenix Contact 2016 © - all rights reserved  
<http://www.phoenixcontact.com>

PHOENIX CONTACT GmbH & Co. KG  
Flachsmarktstr. 8  
32825 Blomberg  
Germany  
Tel. +49 5235 300  
Fax +49 5235 3 41200  
<http://www.phoenixcontact.com>



**Automatización Eléctrica**  
Especialistas en Automatización

Below is a list of articles with direct links to our shop Electric Automation Network where you can see:

- Quote per purchase volume in real time.
- Online documentation and datasheets of all products.
- Estimated delivery time enquiry in real time.
- Logistics systems for the shipment of materials almost anywhere in the world.
- Purchasing management, order record and tracking of shipments.

To access the product, [click on the green button.](#)

<b>Product</b>	<b>Code</b>	<b>Reference</b>	<b>Product link</b>
The stand-alone device for PROFIBUS has 8 digital inputs and 8 digital outputs each with a load capacity of 500 mA. The M12 connection is established using fast connection technology. The 24 V DC supply is protected against short circuit and overload.	2736372	FLS PB M12 DIO 8/8 M12	<a href="#">Buy on EAN</a>